

Core & Coil (71A) HPS < 200W

CORE & COIL HID HPS BAL 70W S62 QUAD KIT

The basic ballast is the open core and coil which is most often used as a component within a lighting luminaire. The core and coil also forms the nucleus of Philips Advance's five other ballast configurations.

Product data

• General Characteristics

| | |
|---------------------------|----------------------|
| Lamp Type | 70W HPS |
| Number of Lamps | 1 piece |
| Line Voltage | 120/208/240/277 V |
| Input Current (Operating) | 0.81/0.47/0.4/0.35 A |
| Line Frequency | 60 Hz |
| Circuit Type | HX-HPF |
| Ballast Type | Magnetic HID |
| Base Model | 71A7971 |
| Core Size | 3 X 4 (2 LW) |
| Suitable for Outdoor use? | Yes |
| Ignitor Catalog Number | LI551-H4 |
| Ignitor Temp Rating | 105°C |
| Capacitor value [µF] | 7 MFD |
| Capacitor Catalog Number | 7C070L30RA |
| Capacitor Requirements | 280V |
| Capacitor Temp Rating | 105°C |
| Capacitor Dia/Oval Dim | 1.25 in |
| Capacitor Height | 2.75 in |
| Family Name | Core & Coil HPS |

• Operating Characteristics

| | |
|-------------------------------|-----------------------|
| Automatic restart | No |
| Input Voltage at Lamp Dropout | 96/166/192/222 V |
| Nominal Open Circuit Voltage | 120 V |
| Inp. Current (Open Circuit) | 1.46/0.86/0.73/0.64 A |

| | |
|--------------------------------|--------------------------------------|
| Input Current (Starting) | 0.85/0.51/0.43/0.39 A |
| Input Current Short Circuit | 0.6-0.95/0.35-0.6/0.3-0.5/0.25-0.4 A |
| Secondary ShortCircuit Current | 2.1-2.45 A |
| Input Power Gear | 96 W |
| Constant wattage deviation | Within Trapezoid |
| Ballast factor | 1 - |
| Power Factor | 0.90 |

• Wiring Characteristics

| | |
|--------------------------------|-----------|
| Wire Striplength | 0.5 mm |
| Wire Length by Color | 12" |
| Wire Type | Stranded |
| Allowed Wiring Config(Remote) | Yes |
| Max Dist. Ball to Lamp(Remote) | 2' |
| Recommended Fuse | 5/3/2/2 A |

• System Chars on driver level

| | |
|------------------|-----|
| Rated Lamp Watts | 70W |
|------------------|-----|

• Product Dimensions

| | |
|-----------------|---------|
| Length A1 | 3.9 in |
| Length A2 | 3.5 in |
| Width B1 | 2.8 in |
| Coil Depth C1 | 2.9 in |
| Stack Height C2 | 1.52 in |
| Width B2 | 2.4 in |

PHILIPS

Core & Coil (71A) HPS < 200W

• Approval & Application Chars

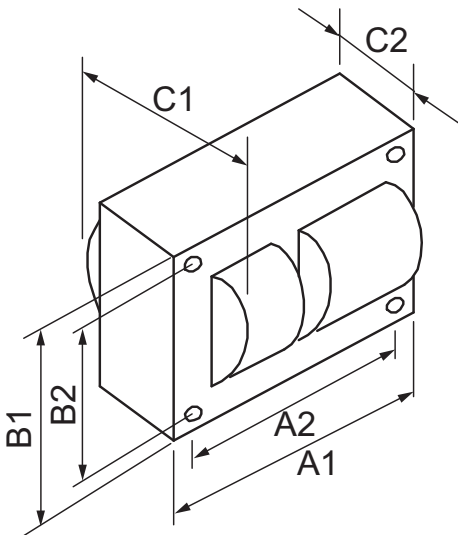
| | |
|--------------------------|----------------|
| Approbation Marks | ULR, CSA, RoHS |
| CE marking | No |
| VDE certificate | No |
| UL Listed | No |
| CSA certificate | Yes |
| CCC certificate | No |
| Chia Quality Certificate | No |
| Temperature marking | B/C/B/C |
| CEC Listing | No |
| cUL certificate | No |
| EISA | No |
| ETL Certificate | No |
| FIDE Certificate | No |
| NOM certificate | No |
| RoHS Compliant | Yes |
| SASO Certificate | No |
| UL Recognized | Yes |
| ANSI Code | S62 |

| | |
|--------------------------------|-----------|
| HiPot Test (1 minute) | 2000 V |
| HiPot Test (2 seconds) | 2500 V |
| Open Circ Voltage Test (Volts) | 110-130 V |
| UL Insulation Class | H(180°C) |
| UL Temperature Code | 1029C |

• Product Data

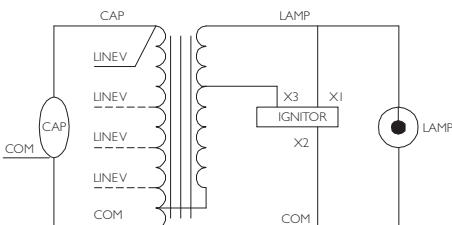
| | |
|--------------------|--------------------------|
| Product number | 71A7971001D |
| Full product name | HPS BAL 70W S62 QUAD KIT |
| Short product name | HPS BAL 70W S62 QUAD KIT |
| Pieces per Sku | 1 |
| Skus/Case | 1 |
| Bar code on pack | 781087797112 |
| Bar code on case | 30781087797113 |
| Logistics code(s) | 913700501309 |
| eop_net_weight_pp | 2.523 kg |

Dimensional drawing



CORE & COIL HID HPS BAL 70W S62 QUAD KIT

| Product | A1 (Norm) | A2 (Norm) | A3 (Norm) | B1 (Norm) | B2 (Norm) | C1 (Norm) | C2 (Norm) |
|--------------------------|-----------|-----------|-----------|-----------|-----------|-----------|-----------|
| HPS BAL 70W S62 QUAD KIT | 3.9 | 3.5 | - | 2.8 | 2.4 | 2.9 | 1.52 |



© 2015 Koninklijke Philips N.V. (Royal Philips)
All rights reserved.

Specifications are subject to change without notice. Trademarks are the property of Koninklijke Philips N.V. (Royal Philips) or their respective owners.

www.philips.com/lighting

2015, August 29
data subject to change