

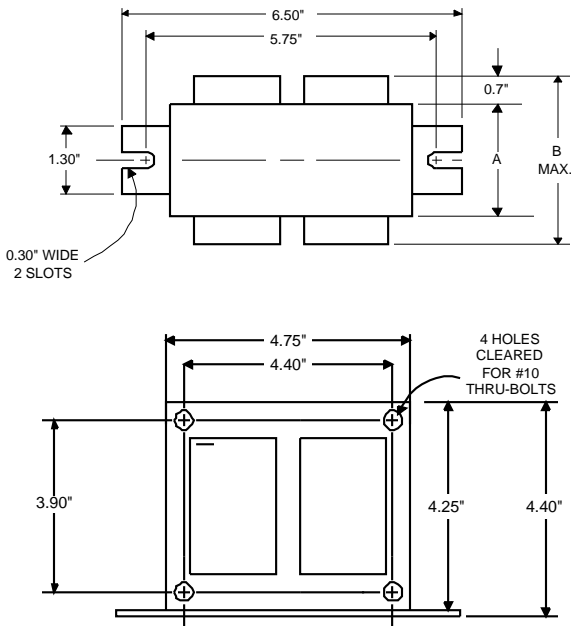


**Metal  
Halide  
Lamp Ballast**

**Catalog Number 71A5750  
For 250W M58  
60 Hz CWA  
Status: Active**

**DIMENSIONS AND DATA**

4 1/4 X 4 3/4 CORE - 2 COIL UNIT



		120	208	240	277	480
<b>INPUT VOLTS</b>						
CIRCUIT TYPE	CWA					
POWER FACTOR (min)	90%					
<b>REGULATION</b>						
Line Volts	±10%					
Lamp Watts	±10%					
<b>LINE CURRENT (Amps)</b>						
Operating.....		2.60	1.50	1.40	1.10	0.65
Open Circuit.....		2.00	1.20	1.00	0.90	0.50
Starting.....		2.40	1.40	1.20	1.05	0.60
<b>UL TEMPERATURE RATINGS</b>						
Insulation Class	H(180°C)					
Coil Temperature Code	1029	A	A	B	A	B
MIN. AMBIENT STARTING TEMP.	-20°F or -30°C					
NOM. OPEN CIRCUIT VOLTAGE	315					
INPUT VOLTAGE AT LAMP DROPOUT.....		60	104	120	140	240
INPUT WATTS	290					
RECOMMENDED FUSE (Amps).....		8	5	5	3	2
<b>CORE and COIL</b>						
Dimension (A)	1.60					
Dimension (B)	3.10					
Weight (lbs.)	10					
Lead Lengths	12"					
<b>CAPACITOR REQUIREMENT</b>						
Microfarads	15.0					
Volts (min.)	400					
Fault Current Withstand (amps)						
<b>60 Hz TEST PROCEDURES (Refer to Advance Test Procedure for HID Ballasts - Form 1270)</b>						
<b>High Potential Test (Volts)</b>						
1 minute	2000					
2 seconds	2500					
Open Circuit Voltage Test (Volts)	285-345					
<b>Short-Circuit Current Test (Amps)</b>						
Secondary Current	2.25-2.80					
Input Current.....		1.90	1.10	0.90	0.80	0.45
		2.90	1.70	1.40	1.25	0.75

Capacitor: 7C150P40-R



Capacitance: 15  
Dia/Oval Dim: 1.75  
Height: 3.75  
Temp Rating: 105°C

Ignitor: NA

This ballast does not require the use of an ignitor.



**Wiring Diagram:**

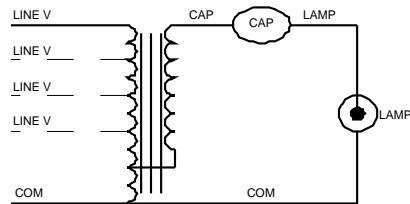


Fig. A

**Typical Ordering Information**

(please call Advance for suffix availability)

Order Suffix	Description
510D	Ballast w/Welded Bracket & Dry Film Capacitor

Data is based upon tests performed by Advance Transformer in a controlled environment and representative of relative performance. Actual performance can vary depending on operating conditions. Specifications are subject to change without notice.

**ADVANCE**

O'HARE INTERNATIONAL CENTER · 10275 WEST HIGGINS ROAD · ROSEMONT, IL 60018  
Customer Support/Technical Service: Phone: 800-372-3331 · Fax: 630-307-3071  
Corporate Offices: Phone: 800-322-2086

07/27/01