

# Core & Coil (71A) MH < 175W

## CORE & COIL HID MH BAL 70W M98/143 QUAD KIT

The basic ballast is the open core and coil which is most often used as a component within a lighting luminaire. The core and coil also forms the nucleus of Philips Advance's five other ballast configurations.

### Product data

#### • General Characteristics

Lamp Type	70W MH
Number of Lamps	1 piece
Line Voltage	120/208/240/277 V
Input Current (Operating)	0.85/0.49/0.42/0.37 A
Line Frequency	60 Hz
Circuit Type	HX-HPF
Ballast Type	Magnetic HID
Base Model	71A5292
Core Size	3 X 4 (2 LW)
Suitable for Outdoor use?	Yes
Ignitor Catalog Number	LI533-H4
Ignitor Temp Rating	105°C
Capacitor value [µF]	8 MFD
Capacitor Catalog Number	7C080L30RA
Capacitor Requirements	280V
Capacitor Temp Rating	105°C
Capacitor Dia/Oval Dim	1.25 in
Capacitor Height	2.75 in
Family Name	Core & Coil MH

#### • Operating Characteristics

Automatic restart	No
Input Voltage at Lamp Dropout	90/156/180/208 V
Nominal Open Circuit Voltage	255 V
Inp. Current (Open Circuit)	1.66/0.97/0.83/0.73 A

Input Current (Starting)	0.71/0.41/0.4/0.3 A
Input Current Short Circuit	0.65-0.98/0.4-0.6/0.32-0.49/0.29-0.44 A
Secondary ShortCircuit Current	1.03-1.26 A
Input Power Gear	92 W
Constant wattage deviation	7%
Ballast factor	1 -
Power Factor	0.90

#### • Wiring Characteristics

Wire Striplength	0.5 mm
Wire Length by Color	12"
Wire Type	Stranded
Allowed Wiring Config(Remote)	Yes
Max Dist. Ball to Lamp(Remote)	15'
Recommended Fuse	4/3/2/2 A

#### • System Chars on driver level

Rated Lamp Watts	70W
------------------	-----

#### • Product Dimensions

Length A1	3.9 in
Length A2	3.5 in
Width B1	2.8 in
Coil Depth C1	2.88 in
Stack Height C2	1.44 in
Width B2	2.4 in

**PHILIPS**

## Core & Coil (71A) MH < 175W

### • Approval & Application Chars

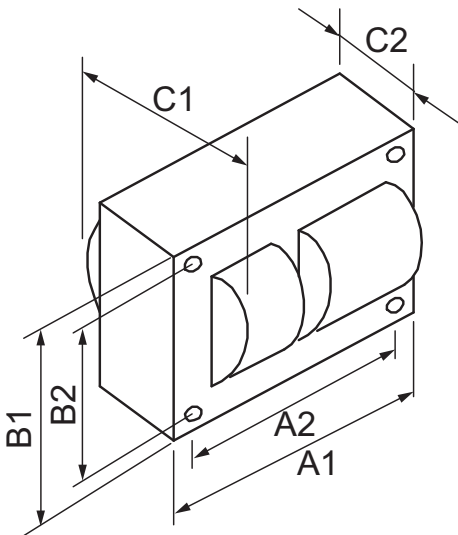
Approbation Marks	ULR, CSA, RoHS
CE marking	No
VDE certificate	No
UL Listed	No
CSA certificate	Yes
CCC certificate	No
Chia Quality Certificate	No
Temperature marking	A/A/A/A
CEC Listing	No
cUL certificate	No
EISA	No
ETL Certificate	No
FIDE Certificate	No
NOM certificate	No
RoHS Compliant	Yes
SASO Certificate	No
UL Recognized	Yes
ANSI Code	M98/M143

HiPot Test (1 minute)	2000 V
HiPot Test (2 seconds)	2500 V
Open Circ Voltage Test (Volts)	230-280 V
UL Insulation Class	H(180°C)
UL Temperature Code	1029A

### • Product Data

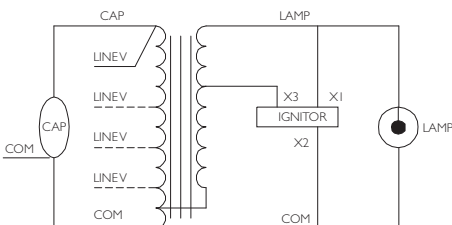
Product number	71A5292001D
Full product name	MH BAL 70W M98/143 QUAD KIT
Short product name	MH BAL 70W M98/143 QUAD KIT
Pieces per Sku	1
Skus/Case	1
Bar code on pack	781087050729
Bar code on case	30781087050720
Logistics code(s)	913700571809
eop_net_weight_pp	2.486 kg

### Dimensional drawing



### CORE & COIL HID MH BAL 70W M98/143 QUAD KIT

Product	A1 (Norm)	A2 (Norm)	B1 (Norm)	B2 (Norm)	C1 (Norm)	C2 (Norm)
MH BAL 70W M98/143 QUAD KIT	3.9	3.5	2.8	2.4	2.88	1.44



© 2015 Koninklijke Philips N.V. (Royal Philips)  
All rights reserved.

Specifications are subject to change without notice. Trademarks are the property of Koninklijke Philips N.V. (Royal Philips) or their respective owners.

[www.philips.com/lighting](http://www.philips.com/lighting)

2015, August 29  
data subject to change