

# ZB4FH1

Head for non illuminated push button,  
Harmony XB4, flush mounted white projecting  
pushbutton push



## Main

|                               |                                      |
|-------------------------------|--------------------------------------|
| Range of Product              | Harmony XB4                          |
| Product or Component Type     | Head for non-illuminated push-button |
| Device short name             | ZB4F                                 |
| Bezel material                | Chromium plated metal                |
| Mounting diameter             | 1.20 in (30.5 mm)                    |
| Sale per indivisible quantity | 1                                    |
| Head type                     | Built-in-flush                       |
| Shape of signaling unit head  | Round                                |
| Type of operator              | push-push                            |
| Operator profile              | White projecting, unmarked           |

## Complementary

|                             |  |
|-----------------------------|--|
| CAD overall width           | 1.44 in (36.6 mm)  |
| CAD overall height          | 1.44 in (36.6 mm)  |
| CAD overall depth           | 1.30 in (33 mm)  |
| Mechanical durability       | 500000 cycles  |
| Electrical composition code | C11 3 single front mounting<br>C15 1 single front mounting<br>C9 3 single front mounting |
| Device presentation         | Basic element  |

## Environment

|                                       |  |
|---------------------------------------|--|
| Protective treatment                  | TH   |
| Ambient Air Temperature for Storage   | -40...158 °F (-40...70 °C)   |
| Ambient Air Temperature for Operation | -40...158 °F (-40...70 °C)   |
| Overvoltage category                  | Class I IEC 60536  |
| IP degree of protection               | IP66 IEC 60529<br>IP67 IEC 60529<br>IP69 IEC 60529<br>IP69K ISO 20653<br>Type 13 UL 50E<br>Type 12 UL 50E<br>Type 4 UL 50E<br>Type 4X UL 50E |
| IK degree of protection               | IK06 IEC 50102   |
| Standards                             | CSA C22.2 No 14<br>EN/IEC 60947-5-1<br>EN/IEC 60947-5-4<br>UL 508<br>EN/IEC 60947-1<br>JIS C8201-5-1<br>CE<br>JIS C8201-1                    |
| Product Certifications                | UL Listed<br>CSA<br>CCC<br>EAC   |

The information provided in this documentation contains general descriptions and/or technical characteristics of the performance of the products contained herein. This documentation is not intended as a substitute for and is not to be used for determining suitability or reliability of these products for specific user applications. It is the duty of any such user or integrator to perform the appropriate and complete risk analysis, evaluation and testing of the products with respect to the relevant specific application or use thereof. Neither Schneider Electric Industries SAS nor any of its affiliates or subsidiaries shall be responsible or liable for misuse of the information contained herein.

|                      |   |
|----------------------|---|
| Vibration resistance | 5 gn 10...500 Hz)IEC 60068-2-6<br>25 mm peak to peak 2...10 Hz)IEC 60068-2-6  |
| Shock resistance     | 30 gn 18 ms) half sine wave acceleration IEC 60068-2-27<br>50 gn 11 ms) half sine wave acceleration IEC 60068-2-27<br>25 gn 6 ms) 1000 shocks on each axis IEC 60068-2-27 |

## Ordering and shipping details

|                   |                                   |
|-------------------|-----------------------------------|
| Category          | 22468-PUSHBUTTONS,22MM(METAL) NEW |
| Discount Schedule | CS2                               |
| GTIN              | 3606489581671                     |
| Returnability     | No                                |

## Packing Units

|                              |                  |
|------------------------------|------------------|
| Unit Type of Package 1       | PCE              |
| Number of Units in Package 1 | 1                |
| Package 1 Height             | 1.69 in (4.3 cm) |
| Package 1 Width              | 2.05 in (5.2 cm) |
| Package 1 Length             | 2.17 in (5.5 cm) |
| Package 1 Weight             | 2.05 oz (58.0 g) |

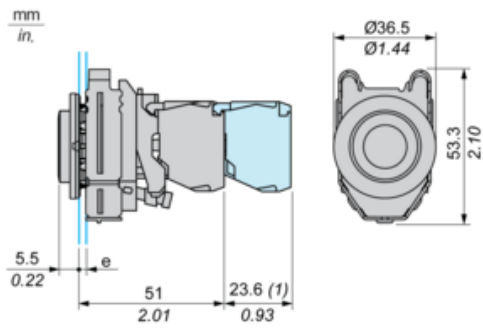
## Offer Sustainability

|                            |   |
|----------------------------|---|
| Sustainable offer status   | Green Premium product   |
| California proposition 65  | WARNING: This product can expose you to chemicals including: Di-isodecyl phthalate (DIDP), which is known to the State of California to cause birth defects or other reproductive harm. For more information go to <a href="http://www.P65Warnings.ca.gov">www.P65Warnings.ca.gov</a> |
| REACH Regulation           | <a href="#">REACH Declaration</a>   |
| REACH free of SVHC         | Yes   |
| EU RoHS Directive          | Pro-active compliance (Product out of EU RoHS legal scope) <a href="#">EU RoHS Declaration</a>  |
| Toxic heavy metal free     | Yes   |
| Mercury free               | Yes   |
| China RoHS Regulation      | <a href="#">China RoHS Declaration</a>  |
| RoHS exemption information | <a href="#">Yes</a>   |
| Environmental Disclosure   | <a href="#">Product Environmental Profile</a>   |
| Circularity Profile        | <a href="#">End Of Life Information</a>   |

## Contractual warranty

|          |           |
|----------|-----------|
| Warranty | 18 months |
|----------|-----------|

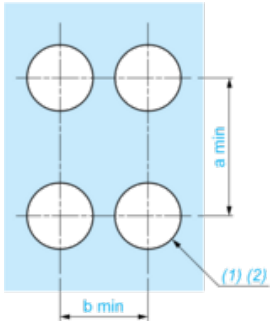
Dimensions



e : clamping thickness: 1 to 6 mm / 0.04 to 0.24 in.  
(1) : Additional row of contacts

Panel Cut-out for Pushbuttons, Switches and Pilot Lights (Finished Holes, Ready for Installation)

Connection by Screw Clamp Terminals or Plug-in Connectors



(1) : Diameter on finished panel or support

(2) :  $\text{Ø}30.75 \text{ mm}$  recommended ( $\text{Ø}30.5 \text{ }_0^{+0.5}$ ) /  $\text{Ø}1.21 \text{ in.}$  recommended ( $\text{Ø}1.20 \text{ in. }_0^{+0.0196}$ )

| Connections                                 | a in mm | a in in. | b in mm | b in in. |
|---|---------|----------|---------|----------|
| By connectors                               | 50      | 1.97     | 40      | 1.57     |
| By connectors and with legend holder ZBZF32 | 50      | 1.97     | 40      | 1.57     |
| By connectors and with legend holder ZBZF33 | 60      | 2.36     | 40      | 1.57     |

---

Electrical Composition Corresponding to Codes C9, C11, SF1 and SR1

---

Electrical Composition Corresponding to Code C15

---

1 N/O

1 N/C

1 N/O + N/C or 1 N/O + N/O or 1 N/C + N/C

Legend

---

Single contact

Double contact

Light block

Possible location

