

9350**UPC Code:** 07847734839**Country of Origin:** China

Lampholders

Item Description

Medium Base, Two-Piece, Keyless, Incandescent, Unglazed Porcelain Lampholder, Ring-Type, Single Circuit, Back Wired, - White

Technical Information

Electrical Specifications

Circuit: Single Circuit**Wattage Rating:** 660W**Voltage:** 250 Volt

Standards and Certifications

UL Listed: File E3810**CSA Certified:** File LR-1863

Material Specifications

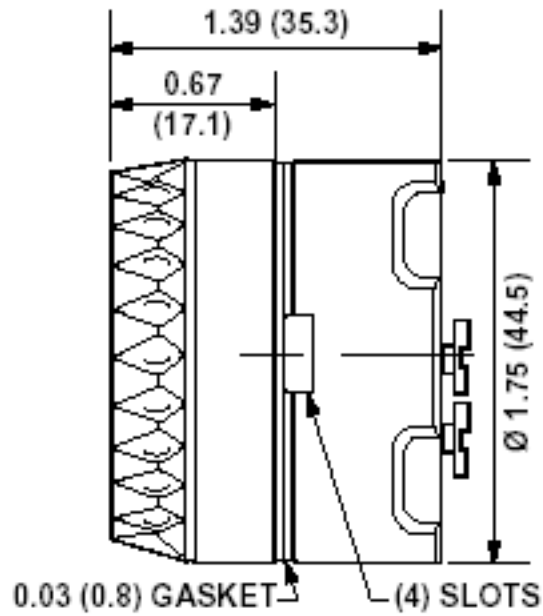
Color: White**Availability:** Distribution

Mechanical Specifications

Access: Back Wired**Gasket Rating:** 90C Dry Maximum

Product Features

Lamp Socket Base: Medium**Construction:** Two-Piece**Mounting Type:** Ring-Type**Circuit:** Single Circuit**Access:** Back Wired**Termination:** 2-Terminal Screws**Mounting Type:** Ring Type**Screw Shell Material:** Copper Alloy**Body Material:** Unglazed Porcelain**Standards and Certifications:** UL/CSA**Warranty:** 1 Year Limited**Availability:** Distribution



SPECIFICATION SUBMITTAL

JOB NAME:	CATALOG NUMBERS:	
<input type="text"/>	<input type="text"/>	<input type="text"/>
JOB NUMBER:	<input type="text"/>	<input type="text"/>

Leviton Manufacturing Co., Inc.
 201 North Service Road, Melville, NY 11747
 Telephone: 1-800-323-8920 · FAX: 1-800-832-9538 · Tech Line (8:30AM-7:30PM E.S.T. Monday-Friday): 1-800-824-3005

Leviton Manufacturing of Canada, Ltd.
 165 Hymus Boulevard, Pointe Claire, Quebec H9R 1E9 · Telephone: 1-800-469-7890 ·
 FAX: 1-800-824-3005 · www.leviton.com/canada

Leviton S. de R.L. de C.V.
 Lago Tana 43, Mexico DF, Mexico CP 11290 · Tel.: (+52)55-5082-1040 · FAX: (+52)5386-1797 · www.leviton.com.mx

Visit our Website at: www.leviton.com
 © 2012-2013 Leviton Manufacturing Co., Inc. All rights reserved. Subject to change without notice.

Leviton has a global presence.
 If you would like to know where your local Leviton office is located please go to: www.leviton.com/international/contacts/

