



## History

Airmaster's history originates in 1886 as the first electrical fan was patented by the Diehl Fan Company. During the next 100 years, Airmaster acquired the Chelsea, Brundage and Power Line Fan companies and marketed each brand separately. To streamline operations, sales and marketing of circulation/ventilation products were consolidated in 2002 to one name, Airmaster Fan Company. Airmaster has always been a family owned business and we do not answer to a corporation on Wall Street, instead, we answer to our customers on Main Street.

In 2013, Airmaster was purchased by another family business from Germany, the Maico group. The Maico group is a globally recognized leader in ventilation products and they are known for their product quality, reliability and reputation. Maico also brings additional new marketing opportunity, fan innovation and product expertise to Airmaster. Airmaster is proud to be a part of the Maico group and looks forward to future growth.

**People:** Airmaster services the end user markets in the Industrial, Electrical and HVAC segments. We only sell through our select distribution partners and utilize **professional factory representatives** as our sales force across North America.

**Process:** Airmaster has a full fabrication and tool & die facility, offering a complete engineering/technical staff along with an AMCA certified laboratory so we can verify our fans performance. We also provide excellent customer service and on-time delivery as a cornerstone of our business philosophy.

**Products:** Airmaster products are designed and developed in the U.S. and in partnership with the Maico Group, our global parent company. Our circulation, ventilation and heating products cover many market segments. Whatever your need, we have a product that will fit your requirements.

Today, Airmaster manufactures, designs and warehouses products in Clarklake, Michigan. We also maintain stocking warehouses across the U.S. keeping people, process and plants cool. Airmaster exports throughout the world and offers the largest line of air moving equipment in North America. Our goal is to be the preferred supplier of complete air circulation/ventilation/heating solutions in North America and in other global markets. At Airmaster we value our relationships and work continuously to provide you with the highest quality products in the industry. **Airmaster "Quality You Can Feel"**.

Airmaster® Fan Company  
9229 S. Meridian Rd.  
Clarklake, Michigan 49234

# AIRMASTER SALES CONTACTS

## CUSTOMER SERVICE

Phone: 517.764.2300  
Toll Free: 800.410.3267  
Fax: 517.764.3838  
E-mail: sales@airmasterfan.com

### TO PLACE ORDERS . . .

- |   |   |
|---|---|
| <b>1.) E-MAIL AIRMASTER:</b><br>sales@airmasterfan.com  | <b>3.) FAX or CALL YOUR LOCAL<br/>AIRMASTER SALES REPRESENTATIVE</b>                                |
| <b>2.) FAX: 517.764.3838</b><br>Toll Free: 800.255.3084 | <b>4.) MAIL ORDERS TO:</b><br>Airmaster Fan Company<br>9229 S. Meridian Road<br>Clarklake, MI 49234 |

## DEPARTMENT CONTACTS

<b>DEPARTMENT</b>	<b>NAME</b>	<b>EXT.</b>	<b>EMAIL</b>
<b>CREDIT MANAGER</b>	Kim Faley <i>Direct</i>	1337 517.764.9329	kfaley@airmasterfan.com
<b>MARKETING ASSISTANT</b>	Megan Stevens	1345	mstevens@airmasterfan.com
<b>VICE PRESIDENT OF SALES &amp; MARKETING</b>	Greg Helbling <i>Cell:</i>	1304 517.416.3683	ghelbling@airmasterfan.com
<b>VENTILATION SALES DIRECTOR</b>	Bob Zellhoefer <i>Cell:</i>	1344 517.581.3872	rzellhoefer@airmasterfan.com
<b>KEY ACCOUNT MANAGER</b>	John Stone <i>Cell:</i>	1317 616.437.2375	jstone@airmasterfan.com



# Table of Contents

## Categorized Listing

<b>Understanding Air Circulation &amp; Ventilation</b>	<b>1</b>
Understanding Hazardous Location Fans & Motors	3
Heavy-Duty Air Circulators - 115V	4
Heavy Duty Air Circulators - 230/460V	6
Heavy-Duty Hazardous Location Air Circulators	7
Heavy-Duty Industrial Spot Coolers - 208/230/460V	8
Heavy Duty Air Circulators	9
Industrial Air Circulators - 115V	11
Commercial Air Circulators - 115V	15
Air Circulators	19
Light Commercial Non-Oscillating	20
Heavy Duty Safety Yellow Air Circulators	21
Heavy Duty Easy Clean Air Circulators	24
Misting Barrel & Pedestal Fans - 115V	25
Washdown Air Circulators	26
Portable Mancoolers® - 115V	30
Heavy Duty Mobile Filtered Fan	33
Portable Utility Blower And Heater Option	34
Ceiling Fans - 120V and 277V	35
Understanding Ceiling Fans	36
Direct Drive Air Blasters 115/230V & 230/460V	37
Heaters	39
Direct Drive Fans - Low Pressure	41
Supply Duty Option And Supply Fan Accessories	44
Direct Drive Fans - Low Pressure/High Pressure	45
Belt Drive Cabinet Fan with Auto Shutters	50
Low Pressure Belt Drive Exhaust Fans	51
High Pressure Belt Drive Fans	53
Shutters and Wall Collars	57
Weather Hoods	59
Direct Drive Fans - Tube Axial	60
Belt Drive Fans - Tube Axial	64
Direct Drive Upblast Propeller Roof Ventilators	69
Belt Drive Upblast Propeller Roof Ventilators	70
Direct Drive Propeller Rooftop Exhaust Fans	71
Centrifugal Direct Drive Exhaust Fans	72
Belt Drive Centrifugal Upblast Exhaust Fans	73
High Pressure Belt Drive Centrifugal Upblast Exhaust Fans	75
Direct Drive Centrifugal Upblast / Wall Fans	77
Gravity Relief Vents	78
Whole House Fan	79
Turbo In-Line Centrifugal Duct Fans	80
In-Line Duct Fans	81
Intake Louvers	84
Motor Accessories	88
Table of Contents - Part Number Index	89
Airmaster Sales Representatives	102
Quick Reference	104
Warranty	105

### **How is Heat generated and why is it a safety issue?**

Heat is generated from People, Plants, Processes, Roof Pitch and from Weather (temperatures & humidity). When hot, stratified air gets trapped at the ceiling, it becomes a plant safety issue.

According to the OSHA Technical Manual, Section III, Chapter 4, "Workers should not be permitted to work when their deep body temperature exceeds 38°C (100.4°F) as it is dangerous for the worker. Air flowing past the body can cool the body if the air temperature is cool. On the other hand, air that exceeds 35°C (95°F) can increase the heat load on the body" Heaty is a safety issue!

Our **CIRCULATION Products** (See pages 4-38) keep air moving in a variety of sizes and mounts.

Our **VENTILATION Products** (See pages 41-88) take hot, stratified air out of plants & brings in fresh cool air.

### **TERMINOLOGY**

**Air Change:** Expressed in "Minutes per Change", it's the time required to complete an air change within a given space.

**CFM:** The Cubic Feet per Minute of air moved by a fan.

**Circulation:** Moving air within an area.

**CPH:** Changes of air Per Hour.

**FPM:** Feet per Minute. The distance in that air travels in one minute.

**HP/Horse Power:** The mechanical measurement of a motors power.

**MPC:** Minutes Per air Change.

**PSC:** Permanently Split Capacitor.

**RPM:** Revolutions per Minute.

**SP/Static Pressure:** The resistance to flow in any air moving system. Fans are rated CFM at various static pressure.

**TEAO:** Totally Enclosed Air Over.

**TENV:** Totally Enclosed Non Vented.

**Velocity:** The speed, expressed in FPM (feet per minute) of air.

**Ventilation:** Moving air from one area to another.

**XP:** Explosion Proof

### **FAN TYPES**

**Air Circulators:** Available in Pedestal, Wall, I-Beam, and Ceiling Mounts. Available in Oscillating and Non-Oscillating units. Circulator fans are used to keep air moving within a plant, to keep people and processes cool.

**Belt Drive Fans:** Are quieter at lower CFM & RPM than a direct drive unit.

**Direct Drive Fans:** Offer more CFM at a higher RPM Quiet.

**Exhaust Fans:** Take hot stratified air out of plants. Available in Wall and Rooftop units.

**Intake Fans:** Mechanically replace air exhausted with fresh air. Available in Wall & Rooftop units and Louvers.

### **Picking a CIRCULATION Fan**

#### **APPLICATIONS**

**Air Circulators:** These fans offer focused air flow and can be found in a variety of areas within a plant environment. Typically seen above people, on assembly lines, in work stations, maintenance areas and near shipping departments, to circulate air and cool people. Models are also available for automotive applications, Hazardous Duty and for Stainless Steel/Wash-Down fans used in the food processing industry.

**Mancoolers:** These portable floor fans are low to the ground which is where the cool plant air is found. Our Mancooler fans capture this cool air, moving it down aisles, corridors and hallways. These fans can also be seen near plant bay doors to help bring large volumes of fresh outside air in, to keep people and processes cool.

### **Picking a VENTILATION Fan**

Ventilation consists of **EXHAUST** and **INTAKE** fans to keep air moving from one area of a plant to another. When business adds more people, processes or additions to the plant, then the air dynamic of the facility changes and more heat is created as a result of the change. Proper ventilation is needed to remove (Exhaust) the heat.



## Heavy-Duty Air Circulators - 115V

### APPLICATIONS

**Exhaust Fans:** These ventilation fans can be seen along the walls of a plant and on the ceiling. The application is determined by the size and type of facility. These fans are available in Wall or Roof mounted units, Direct or Belt drive, and mechanically take hot air out of plants.

**Intake Fans/Louvers:** Whenever air is removed (Exhaust) then air has to be replaced (Intake Air) in order to keep the air dynamic balanced. Intake Fans/Louvers are seen along the walls of plants and provide a source of fresh air to make up for the exhaust air. Intake Fans/Louvers are best placed across from exhaust air fans. These fans are available in Wall or Roof mounted units, Direct or Belt drive, and mechanically take hot air out of plants.

**CAUTION:** When ventilating an area that contains hazardous (explosive) fumes or dust, always specify a fan with explosion proof motor/spark resistant blade.

Airmaster also offers complete system accessories such as: Weather Hoods, Shutters, Wall Collars, Roof Curbs, Front/Rear Fan Guards, Bird Screens, Thermostats, Switches and Humidistats.

### Q. How can I size my facility for a proper Ventilation Solution?

#### A. Determine the volume of air needed by using the Air Change Method!

This is calculated by taking the **LENGTH x WIDTH x HEIGHT** of the area divided by the frequency of air changes.

#### EXAMPLE: Warehouse

Size:  $100'L \times 80'W \times 20'H = 160,000 \text{ CU.FT.}$   
 Estimate an air change every 2-10 minutes.  
 In this example, let's choose a change every 10 minutes. 60 minutes in an hour gives us 6 changes/hour.

**$160,000 \text{ cu.ft}/10 \text{ minutes} = 16,000 \text{ CFM Needed}$**

Once you know the CFM needed, pick an Airmaster Exhaust fan and the mount location (Wall or Roof) along with the type of motors in either Belt (quieter) or Direct Drive Motor.

Air Change Application	Minutes per Change	Changes per Hour
Auditoriums & Halls	2 to 10	6 to 30
Bakeries	2 to 3	20 to 30
Barns	10 to 20	3 to 6
Boiler Rooms	2 to 10	6 to 30
Churches	5 to 10	6 to 12
Compressor/Engine Rooms	1 to 3	20 to 60
Dairies	2 to 5	12 to 30
Dry Cleaners/Laundry	1 to 5	12 to 60
Factories	2 to 5	12 to 30
Foundries	1 to 5	12 to 60
Garages	2 to 10	6 to 30
Generator Rooms	2 to 5	12 to 30
Gymnasiums	2 to 10	6 to 30
Hospitals/Kitchens	2 to 5	12 to 30
Laboratories	1 to 5	12 to 60
Offices	2 to 10	6 to 30
Packing Houses	2 to 5	12 to 30
Restaurant/Kitchens	1 to 3	20 to 60
Tool Rooms	2 to 5	12 to 30
Transformer Rooms	1 to 5	12 to 60
Warehouses	2 to 10	6 to 30

**For additional help and information, contact Airmaster Fans Engineering Department.**

### Understanding Hazardous Location Fans & Motors

Many areas do or may contain gas, vapor or dust in explosive quantities. These areas must be considered hazardous when selecting a fan. To exhaust these areas a fan with an explosion proof motor must be used, many explosions have been caused by exhausting a potentially explosive area with a fan and motor not designed for use in hazardous areas.

Locations Which May Contain Explosive Gas, Vapor or Dust in the Atmosphere; Oil Refineries; Painting Operations; Welding Shops; Chemical Plants; Grain Elevators; Coal Mines; Grain Mills; Battery Charging Areas; Chemical Storage; Paint Storage; Dry Cleaners; Laboratory Hoods; Feed Mills; Flour Mills; Electroplating Operations

Most airborne dusts are flammable and potentially explosive, and should be treated as such. Locations containing any amounts of explosive material, no matter how slight, require the use of a fan with a motor rated for hazardous locations and spark resistant construction. Hazardous locations may include, but are not limited to the above list.

All Airmaster fans with explosion proof motors are rated for Class I, Group D, Class II, Groups F & G atmospheres. Some may be rated for Class I, Group D, Class II, Groups E, F & G, they will be listed in the catalog. An explosion proof motor is designed to withstand an explosion of a specific gas or vapor which may occur within it, and prevent the ignition of the gas or vapor which may be surrounding the motor casing. Always be sure that the motor classes and group ratings match the requirements of the hazardous location. Fans and air circulators with explosion proof motors must be hard wired using explosion proof components and in accordance with all local, state, and national codes. Equipment with explosion proof motors should never be supplied with a cord and plug. Plugging a piece of equipment into a wall outlet can cause a spark, which could lead to an explosion.

### National Electrical Code - Explosive Atmosphere Classifications

#### Class I

Group A: Acetylene

Group B: Butadiene, ethylene oxide, hydrogen, propylene oxide, manufactured gasses containing more than 30% hydrogen by volume.

Group C: Acetaldehyde, cyclopropane, diethyl ether, and ethylene.

Group D: Acetone, acrylonitrile, ammonia, benzene, butane, ethanol, ethylene dichloride, gasoline, hexane, isoprene, methane (natural gas), methanol, naphtha, propane, styrene, toluene, vinyl acetate, vinyl chloride, xylene.

#### Class II

Group E: Aluminum, magnesium, and other metal dusts with similar characteristics

Group F: Carbon black, coke or coal dust

Group G: Flour, starch or grain dust

#### Class III

Easily ignitable fibers, such as rayon, cotton, sisal, hemp, cocoa fiber, oakum, excelsior and other fibers of similar nature.

### What Classifies a Hazardous Environment?

The classification of a hazardous atmosphere requires considerable skill and judgment, especially the extent of the hazardous areas.

Class I, Division I: Those areas in which hazardous concentrations of flammable gasses, vapor or liquids exist, either continually or periodically during normal operating conditions. In these areas the National Electric Code requires the use of explosion proof motors at all times.

Class II, Division II: Those areas in which flammable gasses are handled, processed or used. In these locations the liquid or gas is normally confined in enclosed containers or systems, from which they can escape only in the event of accidental breakdown or abnormal operations. In these areas the National Electric Code requires only that the motors must not have sparking internal contacts (such as centrifugal switches). Normally, three phase TEFC motors are suitable for operation in these atmospheres.

Explosion proof motors are generally not available for Class I, Group A and Class I, Group B locations. When these conditions are encountered, it is usually necessary to isolate the motors from the hazardous location. Also, it is possible to substitute hydraulic or pneumatic motors in place of electric type. All Airmaster axial flow fans and air circulators with explosion proof motors have a cast aluminum propeller or a fabricated propeller with aluminum blades.

Note: All fans must be installed in accordance with all applicable national, state, and local electrical and mechanical codes. For further information, contact Airmaster Engineering.

## Heavy-Duty Air Circulators - 115V

### Pedestal, Wall, I-Beam & Ceiling Mount Fans Non-Oscillating



Adjustable Pedestal



Wall Mount

#### 5 Year Warranty - Ultra Quiet

#### FEATURES

- Energy Efficient - Lowest Watts Per CFM, Ultra Quiet Die Cast Aluminum Airfoil Propeller
- Excellent for Churches, Schools, Industrial and Commercial Applications
- Includes Supply Cord and Plug, Wall and I-Beam Mounts
- Meets OSHA Standards, 3 Speed Motor, 26" Base (18" & 20"); 32" Base (24" & 30")
- 1/5 HP(18" & 20") and 1/3 HP(24" & 30"), 1 Phase, Totally Enclosed, Ball Bearing Motor
- Patented Modular Motor End Dome for easy maintenance, All Stocked

#### PERFORMANCE 115V

Prop Dia.	CFM			RPM			Motor Number	F.L. Amps
	High	Med.	Low	High	Med.	Low		
18"	2600	2113	1805	1125	915	780	642J (Non-Osc.)	1.41
20"	3100	2060	1657	1120	745	600	642J (Non-Osc.)	1.65
24"	5588	4556	3325	1110	900	700	642 (Non-Osc.)	2.5
30"	8402	6259	4463	1098	880	660	642 (Non-Osc.)	2.7

Performance Ratings are conducted in accordance with AMCA Standard 230-99.

### Unit Packs, Models - 642 Motor

Motor, Specified Mounting, Propeller & Guard Shipped In A Single Carton

EDP No.	Catalog No.	Prop Dia.	Fan Style	HP	Ship Wt.	List Price
20892	UP18LF16-S	18"	Pedestal Fan	1/5	65	\$723
20899	UP18LW16-S8	18"	Wall Mount	1/5	45	\$607
20906	UP18LI16-S	18"	I-Beam Mount	1/5	48	\$704
20911	UP18LS16-S	18"	Ceiling Mount	1/5	49	\$581
20893	UP20LF6-S	20"	Pedestal Fan	1/5	66	\$750
20902	UP20LW16-S8	20"	Wall Mount	1/5	46	\$642
20907	UP20LI16-S	20"	I-Beam Mount	1/5	49	\$742
20912	UP20LS16-S	20"	Ceiling Mount	1/5	50	\$617
20895	UP24LF16-S	24"	Pedestal Fan	1/3	85	\$983
37144	UP24LW16-S8	24"	Wall Mount	1/3	56	\$877
37139	UP24LI16-S	24"	I-Beam Mount	1/3	58	\$956
37137	UP24LS16-S	24"	Ceiling Mount	1/3	50	\$843
20900	UP30LF16-S	30"	Pedestal Fan	1/3	91	\$1,063
37145	UP30LW16-S8	30"	Wall Mount	1/3	60	\$955
37140	UP30LI16-S	30"	I-Beam Mount	1/3	63	\$1,034
37138	UP30LS16-S	30"	Ceiling Mount	1/3	55	\$937



Ceiling Mount



I-Beam Mount

### MOTOR TILT ADJUSTMENTS

TYPE	TILT UP OR DOWN (IN DEGREES)			
	OSCILLATING		NON-OSCILLATING	
	UP	DOWN	UP	DOWN
FLOOR	20°	10°	20°	10°
WALL	20°	10°	20°	15°
I-BEAM	20°	20°	20°	20°

0° = Horizontal Plane

**Ceiling Mount:** A safety cable kit is included in all overhead mounted air circulators to prevent the fan from falling if accidentally struck or mounting fails. Single safety cable kits consist of 12 feet of 1/16" diameter cable, 2 cable clamps and instructions.

### Assembled Fan Heads, Models - 642 Motor

Motor, Propeller & Guard Assembled

EDP No.	Catalog No.	Prop Dia.	Fan Style	HP	Ship. Wt.	List Price
20115	M24GBA	24"	Head Assembly	1/3	41	\$798
20915	M30GBA	30"	Head Assembly	1/3	47	\$877

### Mountings

For Fan Head Component Packs and Assembled Fan Heads

EDP No.	Catalog No.	Fan Style	Ship. Wt.	Description	List Price
21152	8CP2B	Adj. Pedestal	13	5' to 8' pedestal (for use with A786B base.)	\$125
21165	A-786B-1	Floor Base	17	For use with 8CP-2B pedestal on 18", 20", 26" and 32" fans.	\$116
21166	A786B-2	Floor Base	34	For use with 8CP-2B pedestal on 24", 26", 30" and 32" fans.	\$118
21187	878W	Wall Bracket	10	Use for HD air circulator wall mountings. Includes Safety Cable Kit.	\$127
21191	700-U	I-Beam Bracket	5	Use for HD air circulator I-Beam mountings. Includes Safety Cable Kit.	\$210
21203	CK-2	Ceiling Bracket	14	Use for HD air circulator ceiling mount (-non-oscillating only.) Extension pipe not included. Includes Safety Cable Kit.	\$92

NOTES: See Page 9 for optional accessories and component parts for fan head assemblies.

## Pedestal, Wall, & I-Beam Mount Fans Oscillating Unit Packs, Models - 967 Motor

5 Year Warranty - Ultra Quiet

### FEATURES

- Energy Efficient - Lowest Watts Per CFM
- Ultra Quiet Die Cast Aluminum Airfoil Propeller
- Excellent for Churches, Schools, Industrial and Commercial Applications
- Includes Supply Cord and Plug
- Wall and I-Beam Mounts Able To Be Installed By One Individual
- Meets OSHA Standards
- 3 Speed Motor
- 1/5 HP (18" & 20") and 1/3 HP (24" & 30"), 115V, 1 Phase, Totally Enclosed, Ball Bearing Motor
- 26" Base (18" & 20"); 32" Base (24" & 30")
- Patented Modular Motor End Dome for easy maintenance
- All Stocked



Adjustable Pedestal



Wall Mount



I-Beam Mount

### PERFORMANCE 115V

Prop Dia.	CFM			RPM			Motor Number	F.L. Amps
	High	Med.	Low	High	Med.	Low		
18"	2600	2113	1805	1125	915	780	967J (Osc.)	1.41
20"	3100	2060	1657	1120	745	600	967J (Osc.)	1.65
24"	5387	4356	3125	1070	850	628	967 (Osc.)	2.5
30"	7996	5859	4063	1045	789	561	967 (Osc.)	2.9

Performance Ratings are conducted in accordance with AMCA Standard 230-99.



Motor, Specified Mounting, Propeller & Guard Shipped In A Single Carton

EDP No.	Catalog No.	Prop Dia.	Fan Style	HP	Ship Wt.	List Price
20894	UP18BN-S	18"	Pedestal Fan	1/5	71	\$956
20903	UP18WN-S8	18"	Wall Mount	1/5	51	\$880
20908	UP18IN-S	18"	I-Beam Mount	1/5	54	\$953
20898	UP20BN-S	20"	Pedestal Fan	1/5	72	\$1,020
20904	UP20WN-S8	20"	Wall Mount	1/5	52	\$944
20909	UP20IN-S	20"	I-Beam Mount	1/5	55	\$1,009
20885	UP24BN-S	24"	Pedestal Fan	1/3	89	\$1,519
37129	UP24WN-S8	24"	Wall Mount	1/3	60	\$1,413
37147	UP24IN-S	24"	I-Beam Mount	1/3	63	\$1,493
20890	UP30BN-S	30"	Pedestal Fan	1/3	95	\$1,600
37135	UP30WN-S8	30"	Wall Mount	1/3	64	\$1,491
37148	UP30IN-S	30"	I-Beam Mount	1/3	67	\$1,572

### MOTOR TILT ADJUSTMENTS

TILT UP OR DOWN (IN DEGREES)

TYPE	OSCILLATING		NON-OSCILLATING	
	UP	DOWN	UP	DOWN
FLOOR	20°	10°	20°	10°
WALL	20°	10°	20°	15°
I-BEAM	20°	20°	20°	20°
CEILING	N/A	N/A	N/A	N/A

0° = Horizontal Plane

**NOTES:** Oscillating motor not to be used upside down. See page 14 for optional accessories.

A safety cable kit is included in all overhead mounted air circulators to prevent the fan from falling if accidentally struck or mounting fails. Single safety cable kits consist of 12 feet of 1/16" diameter cable, 2 cable clamps and instructions.



## Heavy-Duty Air Circulators - 230/460V

### Pedestal, Wall, I-Beam & Ceiling Mount Fans Non-Oscillating



5 Year Warranty - Ultra Quiet

#### FEATURES

- 230/460V, 1/4 HP, 3 Phase, 1 Speed, Totally Enclosed Ball Bearing Motor

#### PERFORMANCE 230/460V

Prop Dia.	CFM	RPM	Motor No.	F.L. Amps
24"	5739	1140	1069	1.2/.6
30"	8723	1140	1069	1.2/.6

Performance Ratings are conducted in accordance with AMCA Standard 230-99.

EDP No.	Catalog No.	Prop Dia.	Fan Style	HP	Ship Wt.	List Price
20600K	24LF36	24"	Pedestal Fan: includes 21152(Pedestal) , 21166(Base)	1/4	70	\$1,453
20620K	24LW368	24"	Wall Mount Fan: includes 21166 (Wall Brkt. with Safety Cable)	1/4	49	\$1,301
20640K	24LI36	24"	I-Beam Mount Fan: includes 21191 (I-Beam Brkt. with Safety Cable)	1/4	49	\$1,381
20630K	24LS36	24"	Ceiling Mount Fan: includes 21203 (Ceiling Kit with Safety Cable)	1/4	39	\$1,267
20650K	30LF36	30"	Pedestal Fan: includes 21152 (Pedestal), 21166(Base)	1/4	77	\$1,535
20670K	30LW368	30"	Wall Mount Fan: includes 21187 (Wall Brkt with Safety Cable)	1/4	56	\$1,381
20690K	30LI36	30"	I-Beam Mount Fan: includes 21191 (I-Beam Brkt. with Safety Cable)	1/4	56	\$1,459
20680K	30LS36	30"	Ceiling Mount Fan: includes 21203 (Ceiling Kit with Safety Cable)	1/4	46	\$1,346

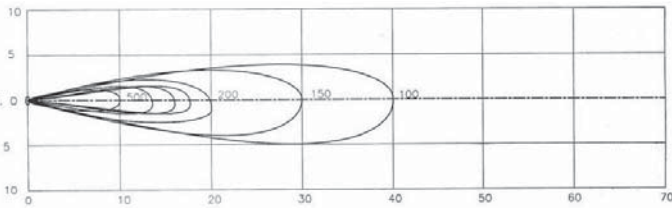
All 24" Kitted Components consist of: 21025 (1069 B Motor); 21070 (AC-24G Guard Assembly); 21095 (24BA-1A Prop); plus mounting listed above.

All 30" Kitted Components consist of: 21025 (1069 B Motor); 21080 (AC30-G Guard Assembly); 21105 (30BA-1A Prop); plus mounting listed above.

## FAN VELOCITY PROFILES

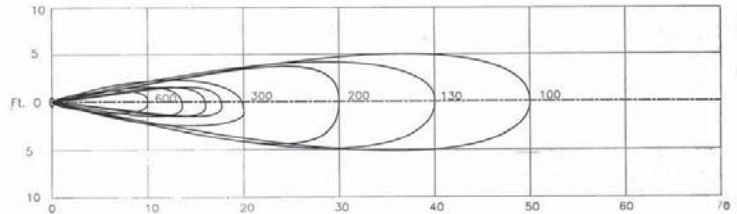
Represents all 18" and 20" 1/5 HP Heavy Duty Air Circulators.

### 18" HORIZONTAL VELOCITY PROFILE (Ft/Min)



18" FAN VELOCITY PROFILE (Ft/Min)

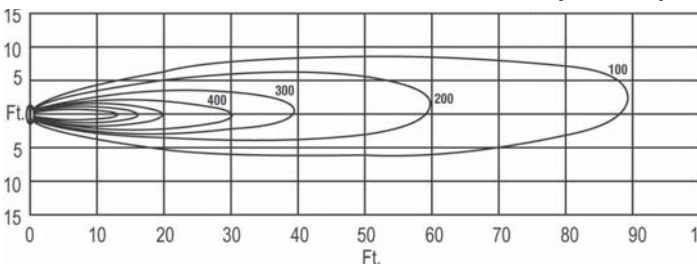
### 20" HORIZONTAL VELOCITY PROFILE (Ft/Min)



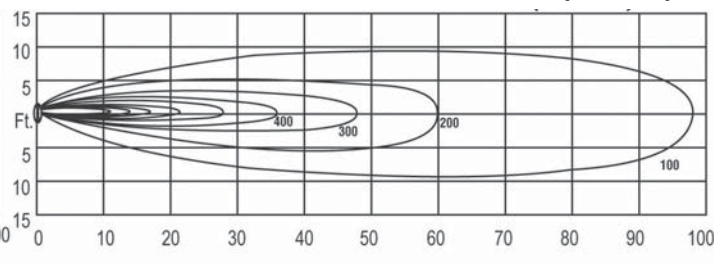
20" FAN VELOCITY PROFILE (Ft/Min)

Represents all 24" and 30" 1/3 HP Heavy Duty Air Circulators.

### 24" HORIZONTAL VELOCITY PROFILE (Ft/Min)



### 30" HORIZONTAL VELOCITY PROFILE (Ft/Min)



## Heavy-Duty Hazardous Location Air Circulators

### Pedestal, Wall, I-Beam & Ceiling Mount Fans 115/230V or 230/460V Spark Resistant Non-Oscillating

#### Unit Packs 115/230 Spark Resistant Models

#### 1 Year Warranty - Ultra Quiet

#### FEATURES

- Die Cast Aluminum Propeller
- OSHA Approved Safety Guards
- 115/230V, 1/4 HP, 1 Phase & 230/460V, 1/4 HP, 3 Phase, Single Speed, Ball Bearing Motors
- All Unit Packs in Stock



Prop Dia.	CFM	RPM	Motor No.	Volt	F.L. Amps
24"	5739	1140	1169	115/230	6.9/3.5
24"	5739	1140	1269	230/460	1.1/.55
30"	8723	1140	1169	115/230	6.9/3.5
30"	8723	1140	1269	230/460	1.1/.55

Performance Ratings are conducted in accordance with AMCA Standard 230-99.

Explosion Proof Motor for Class I, Group D & Class II, Groups E, F & G See page 3 for further Explosion Proof Motor information.

#### FOR USE IN HAZARDOUS LOCATIONS SUCH AS:

*Oil Refineries*

*Welding Shops*

*Paint Operations / Storage and Other Locations that may contain Explosive Gas, Vapor or Dust in the Atmosphere*



Motor, Specified Mounting, Propeller & Guard Shipped In A Single Carton

EDP No.	Catalog No.	Prop Dia.	Fan Style	HP	Ship Wt.	List Price
20301	24LF16X	24"	Pedestal Fan	1/4	111	\$1,624
20321	24LW16X8	24"	Wall Mount	1/4	78	\$1,471
20341	24LI16X	24"	I-Beam Mount	1/4	82	\$1,547
20331	24LS16X	24"	Ceiling Mount	1/4	74	\$1,435
20351	30LF16X	30"	Pedestal Fan	1/4	98	\$1,703
20371	30LW16X8	30"	Wall Mount	1/4	82	\$1,550
20391	30LI16X	30"	I-Beam Mount	1/4	87	\$1,627
20381	30LS16X	30"	Ceiling Mount	1/4	77	\$1,513

#### Kitted Units 230/460 Spark Resistant Models

#### Unit Shipped As Individual Component Parts Via Truck Or UPS

EDP No.	Catalog No.	Prop Dia.	Fan Style	HP	Ship Wt.	List Price
20450K	24LF36X	24"	Pedestal Fan: includes 21152 (Pedestal), 21166 (Base)	1/4	100	\$1,850
20470K	24LW36X8	24"	Wall Mount Fan: includes 21187 (Tilted Wall Brkt with Safety Cable)	1/4	79	\$1,696
20490K	24LI36X	24"	I-Beam Mount Fan: includes 21191 (I-Beam Brkt, with Safety Cable)	1/4	79	\$1,776
20480K	24LS36X	24"	Ceiling Mount Fan: includes 21203 (Ceiling with Safety Cable)	1/4	69	\$1,661
20500K	30LF36X	30"	Pedestal Fan: includes 21152 (Pedestal), 21166 (Base)	1/4	107	\$1,930
20520K	30LW36X8	30"	Wall Mount Fan: includes 21187 (878W-Tilted Wall Brkt with Safety Cable)	1/4	86	\$1,777
20540K	30LI36X	30"	I-Beam Mount Fan: includes 21191 (700-U I-Beam Brkt, with Safety Cable)	1/4	86	\$1,854
20530K	30LS36X	30"	Ceiling Mount Fan: includes 21203 (Ceiling with Safety Cable)	1/4	76	\$1,741

All 24" Kitted Components consist of: 21040 (1269 XP Motor); 21070 (AC24G Guard Ass'y.); 21095 (24BA-1A Prop); plus mounting listed above.

All 30" Kitted Components consist of: 21040 (1269 XP Motor); 21080 (AC30G Guard Ass'y.); 21105 (30BA-1A Prop); and mounting listed above.

#### NOTES:

XP = Explosion Proof

"K" suffix indicates unit shipped as individual component parts. May be shipped UPS or Truck.

**CORD AND PLUG NOT PROVIDED.** Must be hard wired. Wiring must conform to all national, state and local codes.

A safety cable kit is included in all overhead mounted air circulators to prevent the fan from falling if accidentally struck or mounting fails. Single safety cable kits consist of 12 feet of 1/16" diameter cable, 2 cable clamps and instructions

# Heavy-Duty Industrial Spot Coolers - 208/230/460V

## Pedestal, Wall, I-Beam & Ceiling Mount Fans Non-Oscillating



**1 Year Warranty - Ultra High Velocity Air Flow  
FEATURES**

- Heavy Gauge Galvanized Steel Propeller for Severe Conditions
- 4 Mounting Options - Pedestal, Wall, I-Beam & Ceiling
- 208/230/460V, 1 HP, 3 Phase, Totally Enclosed, Ball Bearing Motor
- Single Speed

**PERFORMANCE 208/230/460V**

Prop Dia.	CFM	RPM	Motor No.	F.L. Amps
24"	7700	1140	1369	4.0/2.0
30"	12400	1125	1369	4.0/2.0

Performance Ratings are conducted in accordance with AMCA Standard 230-99.



EDP No.	Catalog No.	Prop Dia.	Fan Style	HP	Ship Wt.	List Price
20750K	24HF36	24"	Pedestal Fan: includes 21152 (Pedestal), 21166 (Base)	1	89	\$1,578
20770K	24HW36	24"	Wall Mount Fan: includes 21187 (Tilted Wall Brkt. with Safety Cable)	1	68	\$1,424
20790K	24HI36	24"	I-Beam Mount Fan: includes 21191 (I-Beam Brkt. with Safety Cable)	1	68	\$1,503
20780K	24HS36	24"	Ceiling Mount Fan: includes 21203 (Ceiling Kit with Safety Cable)	1	58	\$1,389

All 24" Kitted Components consist of: 21050 (Motor); 21070 (Guard Assembly); 21120 (Prop); plus mounting listed above

### Unit Packs Models - 1369 Motor

Motor, Specified Mounting, Propeller & Guard Shipped in Single Carton

EDP No.	Catalog No.	Prop Dia.	Fan Style	HP	Ship Wt.	List Price
20840	30HF36	30"	Pedestal Fan	1	96	\$1,658
20860	30HW36	30"	Wall Mount Fan	1	83	\$1,503
20880	30HI36	30"	I-Beam Mount Fan	1	83	\$1,583
20870	30HS36	30"	Ceiling Mount Fan	1	65	\$1,468

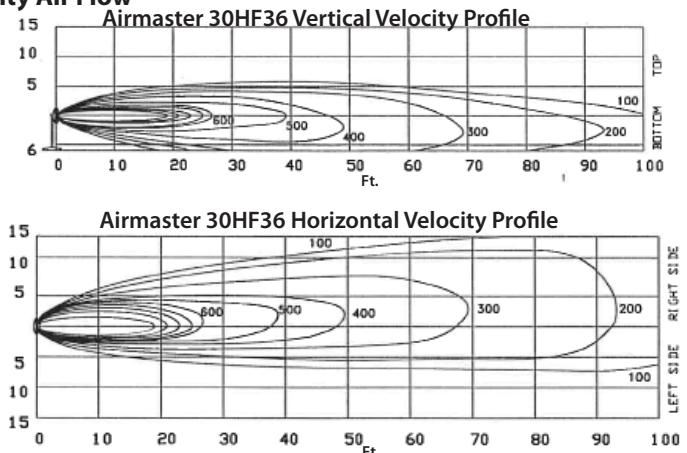
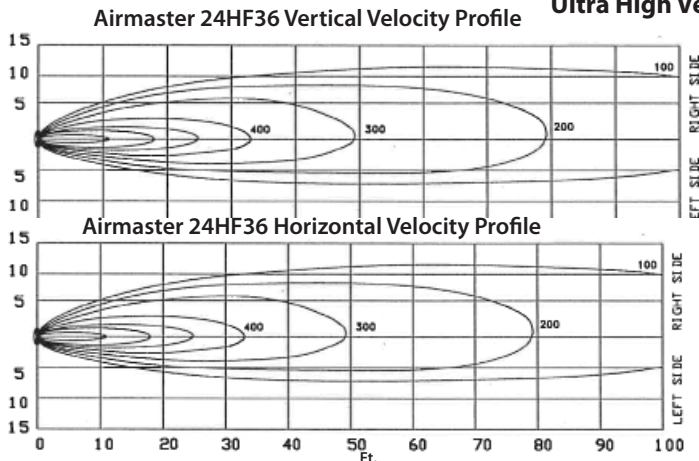
### MOTOR TILT ADJUSTMENTS

TYPE	TILT (IN DEGREES) NON-OSCILLATING	
	UP	DOWN
FLOOR	20°	10°
WALL	20°	15°
I-BEAM	20°	20°
CEILING	8°	20°

0° = Horizontal Plane

**Ceiling Mount:** A safety cable kit is included in all overhead mounted air circulators to prevent the fan from falling if accidentally struck or mounting fails. Single safety cable kits consist of 12 feet of 1/16" diameter cable, 2 cable clamps and instructions.

### Ultra High Velocity Air Flow

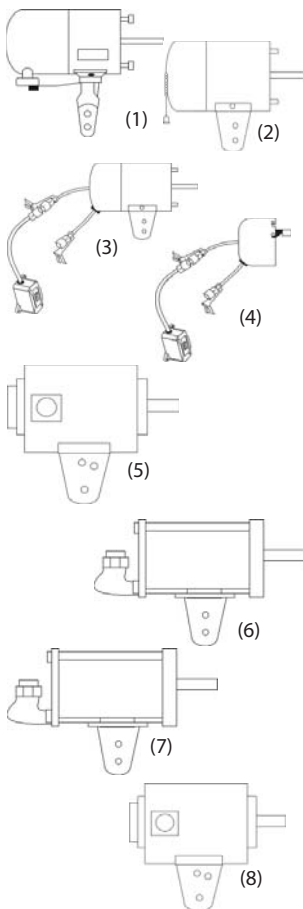


Note: Velocity is shown in FPM (Feet Per Minute), divide FPM by 88 for MPH (Miles Per Hour).

NOTES: "K" suffix indicates unit shipped as individual component parts. May be shipped UPS or Truck.

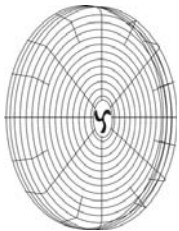
**CORD AND PLUG NOT PROVIDED WITH INDUSTRIAL SPOT COOLER.** Must be hard wired. Wiring must conform to all national, state and local codes.

### Component Parts/Accessories for Assembled Fan Heads Motors



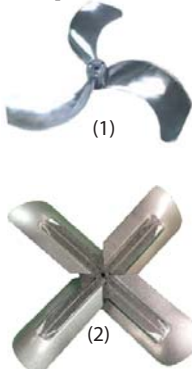
EDP No.	Catalog No.	F.L. AMPS	Ship Wt.	Description	List Price
21021	967J	1.65	24	Single-phase, three speed, 115 volt, 1/5 HP, ball bearing, oscillating, 5/8" shaft (use only on standard 18" and 20" oscillating fans). Use BA-1A Propeller <b>NOTE:</b> Oscillating Motor NOT to be used in UPSIDE-DOWN position (1)	\$681
21007	967-3 SP	2.7	23	Single-phase, three speed, 115 volt, 1/3 HP, ball bearing, oscillating, 5/8" shaft (use only on standard 24" and 30" oscillating fans). Use BA-1A Propeller <b>NOTE:</b> Oscillating Motor NOT to be used in UPSIDE-DOWN position (1)	\$970
21777	Gear Box		18	Assembly for 967J and 967-3SP	\$224
03915	End Dome			Assembly for 967J and 967-3SP (with capacitor)	\$86
21022	642J	1.65	19	Single-phase, three speed, 115 volt, 1/5 HP, ball bearing, non-oscillating, 5/8" shaft (use only on standard 18" and 20" non-oscillating fans). Use BA-1A Propeller (2)	\$344
21017	642-AC 3 SP	2.8	19	Single-phase, three speed, 115 volt, 1/3 HP, ball bearing, non-oscillating, 5/8" shaft (use only on standard 24" and 30" non-oscillating fans). Use BA-1A Propeller (2)	\$489
06004	End Dome			Assembly for 642J and 642-AC-3SP (with capacitor)	\$66
21090	642-AC2SDC		19	Single phase, 2-speed, 115 volt, 1/3 HP, ball bearing, non-oscillating motor with 2-speed drop cord switch. Use with BA-1A propeller (3)	\$513
12013	2-SPDCS-HD		2	Modular end dome with drop cord and 2 speed switch. For 642 Motor Only (4).	\$105
21025	1069 B	1.2/.6	16	Three-phase, 1 Speed, 208/ 230/460 volt, ¼ HP, ball bearing, Non-oscillating fans only. Use BA-1A Propeller (5)	\$948
21035	1169 E	6.9/3.5	48	Single-phase, single-speed, 115/230 volt, 1/4 HP, ball bearing for Class. I Group D and Class. II, Groups E, F & G. (Use only on explosion-proof, non-oscillating fans with BA-1A Propeller). (6)	\$1,160
21040	1269	1.1/.55	33	Three-phase, single-speed, 230/460 volt, 1/4 HP, ball bearing (use only on non-oscillating, explosion-proof fans). Use BA-1A Propeller (7)	\$1,413
21050	1369	4.0/2.0	36	1 HP, three-phase, single-speed 230/460 volt, ball bearing, totally enclosed (use only on high-velocity spot coolers). Use HH-1 Propeller (8)	\$1,227

### Guards



EDP No.	Catalog No.	Ship Wt.	Description	List Price
71000	C-1820G	11	18" / 20" guard. Nickel chrome plated. (use on all 18" and 20" oscillating & non-oscillating fans)	\$115
21070	AC24-G	14	24" guard (use on all 24" oscillating & non-oscillating fans) Nickel chrome plated.	\$142
21080	AC30-G	20	30" guard (use on all 30" oscillating & non-oscillating fans) Nickel chrome plated.	\$210
70761	AC30GSS	18	30" Stainless steel guard	\$708

### Propellers



EDP No.	Catalog No.	Ship Wt.	Description	List Price
21101	18BA-1	4	18" Propeller - 5/8" bore. Cast Aluminum. (1)	\$192
21102	20BA-1	5	20" Propeller - 5/8" bore. Cast Aluminum. (1)	\$205
21095	24BA-1A	5	24" Propeller - 5/8" bore. Cast Aluminum. (1)	\$227
21105	30BA-1A	6	30" Propeller - 5/8" bore. Cast Aluminum. (1)	\$241
21120	24HH-1	8	24" Propeller, 5/8" bore (use only on 24" high velocity spot coolers.) Galvanized. (2)	\$100
21130	30HH-1	9	30" Propeller, 5/8" bore (use only on 30" high velocity spot coolers.) Galvanized. (2)	\$117

## Heavy-Duty Air Circulators

### Component Parts/Accessories for Assembled Fan Heads Pedestal (Adjustable)

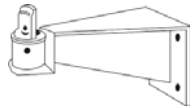


EDP No.	Catalog No.	Ship Wt.	Description	List Price
21152	8CP2B	13	5' to 8' pedestal (fits all Heavy Duty fans.)	\$125

### Floor Base



EDP No.	Catalog No.	Ship Wt.	Description	List Price
21165	A-786B-1	17	For use with 18" & 20" oscillating & non-oscillating fans with 21152 pedestal.	\$116
21166	A786B-2	34	For use with 24" & 30" oscillating & non-oscillating fans with 21152 pedestal.	\$118



### Wall Bracket (15° Tilt Built In)

EDP No.	Catalog No.	Ship Wt.	Description	List Price
21187	878W	10	Use for HD air circulator wall mountings. Includes Safety Cable Kit.	\$127



### I-Beam Bracket

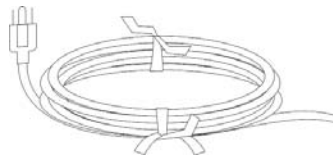
EDP No.	Catalog No.	Ship Wt.	Description	List Price
21191	700-U	14	Use for HD air circulator I-Beam mountings. Includes Safety Cable Kit.	\$210



### Ceiling Bracket

EDP No.	Catalog No.	Ship Wt.	Description	List Price
21203	CK-2	5	Use for HD air circulator ceiling mount (non-oscillating only) Extension cord not included. Includes Safety Cable Kit.	\$92

### Accessories



EDP No.	Catalog No.	Ship Wt.	Description	List Price
21204	Safety Kit	1	12' of 1/16" diameter cable, two clamp and instructions. This safety cable kit is available for retrofit applications.	\$32
12002	DJ-EC-6	1	6' extension cord - for use with 642-AC2SDP Drop Cord Motor - Yellow	\$27
12008	DJ-EC-9	2	9' extension cord - for use with 642-AC2SDP Drop Cord Motor - Yellow	\$29
12009	DJ-EC-12	2	12' extension cord - for use with 642-AC2SDP Drop Cord Motor - Yellow	\$32
70601	AMFW30K	7	Snap on wheel kit with set screw lock for use on all floor model air circulators. except I-2030 base. No tools required	\$82
01633	Cord	2	15' Supply Cord Replacement	\$38
01723	Switch	2	2 Speed/3 Speed Pull Chain Switch	\$19

#### NOTES:

Explosion Proof and 3 Phase air circulator motors are not supplied with switches or power cords. Must be hard wired. See page 3 for further Explosion Proof Motor information.

## Non-Oscillating Unit Packs



Adjustable Floor Model



Non-Oscillating Ceiling Mount



Non-Oscillating Wall Mount

### 3 Year Warranty FEATURES

- 5 Mounting Options
- Guard Meets OSHA Standards
- 115V, 60 Hz, 1 Phase, 2 Speed, 1/15 HP (18" & 20") and 3 Speed, 1/3 HP (24" & 30"), Totally Enclosed Air Over Ball Bearing Motors
- Galvanized Steel Propeller
- 15 Foot Three Conductor Supply Cord and Plug
- All Stocked

All Parts Packaged in One UPS Shippable Carton

### NON-OSCILLATING PERFORMANCE 115V

Prop Dia.	CFM			RPM			Motor Number	F.L. Amps
	High	Med.	Low	High	Med.	Low		
18"	2520	---	1850	1480	---	1020	I-1820TEM	2.6
20"	2670	---	2035	1650	---	1240	I-1820TEM	2.6
24"	5520	4020	2820	1080	700	540	I-3A	3.0
30"	7185	5300	3415	1080	700	540	I-3A	3.0

Performance Ratings are conducted in accordance with AMCA Standard 230-99.



EDP No.	Catalog No.	Prop Dia.	Fan Style	HP	Ship Wt.	List Price
71760	UPI-24PA2A (3-SP)	24"	Adjustable Floor (S.B.)	1/3	81	\$646
71725	I-24W2A (3-SP)	24"	Wall/Ceiling Model	1/3	44	\$525
71526	UPI-30PA2A (3-SP)	30"	Adjustable Floor (S.B.)	1/3	90	\$685
71726	I-30W2A (3-SP)	30"	Wall/Ceiling Model	1/3	49	\$568

Unit Pack - Motor, specified Style Mounting, Propeller & Guard shipped in a single carton.  
S.B. = Solid Base

### MOTOR TILT ADJUSTMENTS

TYPE	TILT UP OR DOWN (IN DEGREES)	
	NON-OSCILLATING	
	UP	DOWN
FLOOR	30°	15°
WALL	30°	50°
I-BEAM	30°	15°
CEILING	0°	90°

0° = Horizontal Plane

A safety cable kit is included in all overhead mounted air circulators to prevent the fan from falling if accidentally struck or mounting fails. Single safety cable kits consist of 12 feet of 1/16" diameter cable, 2 cable clamps and instructions.

### Non-Oscillating Assembled Fan Heads †



Industrial Head Assembly

EDP No.	Catalog No.	Prop Dia.	Fan Style	HP	PH	Ship Wt.	List Price
37113	I-18TEHA	18"	Head Assembly	1/15*	1	24	\$325
37114	I-20TEHA	20"	Head Assembly	1/15*	1	27	\$339
37209	I-24-2	24"	Head Assembly	1/3	1	37	\$519
37212	I-30	30"	Head Assembly	1/3	1	48	\$561

† Motor, Guard, Propeller Pre-Assembled.

\* Motor is 2-speed.

\*\*30" Head Assembly is UPS OverSize 2.

## Industrial Air Circulators - 115V

### Oscillating Unit Packs



Adjustable Floor



Oscillating Wall Mount

#### 3 Year Warranty

#### FEATURES

- 2 Mounting Options
- Guard Meets OSHA Standards
- 115V, 60 Hz, 1/3 HP, 1 Phase, 3 Speed, Totally Enclosed Ball Bearing Motors
- Galvanized Steel Propeller
- 15 Foot Three Conductor Supply Cord and Plug
- All Stocked

All Parts Packaged in One UPS Shippable Carton

#### OSCILLATING PERFORMANCE 115V

Prop Dia.	CFM			RPM			Motor Number	F.L. Amps
	High	Med.	Low	High	Med.	Low		
24"	5548	4699	4062	1110	958	856	0-3B	3.2
30"	7794	5943	5143	1091	871	759	0-3B	3.2

Performance Ratings are conducted in accordance with AMCA Standard 230-99.



EDP No.	Catalog No.	Prop Dia.	Fan Style	HP	Ship Wt.	List Price
71567	I-24-OAP	24"	Adjustable Floor	1/3	86	\$788
71565	I-24-OIW	24"	Wall Mount*	1/3	57	\$716
71568	I-30-OAP	30"	Adjustable Floor	1/3	95	\$827
71566	I-30-OIW	30"	Wall Mount*	1/3	61	\$770

Wall Mount is supplied with the required Safety Cable Kit. \*Used with EDP# 37772 Mounting Bracket. Unit Pack - Motor, Specified Style Mounting, Propeller & Guard shipped in a single carton.

#### MOTOR TILT ADJUSTMENTS

TYPE	TILT UP OR DOWN (IN DEGREES)	
	OSCILLATING	
	UP	DOWN
FLOOR	20°	20°
WALL	0°	20°

0° = Horizontal Plane

A safety cable kit is included in all overhead mounted air circulators to prevent the fan from falling if accidentally struck or mounting fails. Single safety cable kits consist of 12 feet of 1/16" diameter cable, 2 cable clamps and instructions.

### Oscillating Assembled Fan Heads †



Industrial Head Assembly

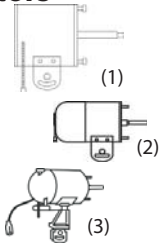
EDP No.	Catalog No.	Prop Dia.	Fan Style	HP	Ship Wt.	List Price
71610	24-IAC-MGBO	24"	Head Assembly	1/3	46	\$644
38422	30-IAC-MGBO	30"	Head Assembly	1/3	56	\$687

†Motor, Guard, and Propeller Pre-Assembled

Note: Oscillating fan heads are NOT to be used in upside down position.

30" Head Assembly is UPS OverSize 2.

## Component Parts Motors

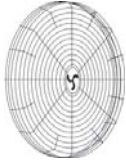


EDP No.	Catalog No.	F.L. AMPS	Ship Wt.	Description	List Price
70013	I-1820TEM	2.6	10	1/15HP, 2 Speed, TEAO, 115V, ball bearing, 1/2" shaft dia., 2 speed switch, 10' cord & plug. (1)	\$226
78019	I-3A	3.0	22	Single-phase, PSC type, 1/3HP, 3-speed, TEAO, 115V, ball bearing, 5/8" shaft dia. 3-speed switch, 15' cord & plug. (2)	\$366
37430	0-3B	3.2	22	Single-phase, three-speed, 115 volt, 1/3HP, TEAO, ball bearing, oscillating, 5/8" shaft dia. (3) <b>Note: Motor NOT to be used in the UPSIDE-DOWN position.</b>	\$394

## Capacitors

EDP No.	Catalog No.	Ship Wt.	Description	List Price
01683	Capacitor	1	Capacitor for 78019 motors.	\$11
01600	Capacitor	1	Capacitor for 37430 motors.	\$11

## Guards



EDP No.	Catalog No.	Ship Wt.	Description	List Price
71000	C-1820G	11	18"-20" guard - use on EDP #70013 motor.	\$115
21070	AC24-G	14	24" guard.	\$142
21080	AC30-G	20	30" guard.	\$210

## Propellers - Galvanized



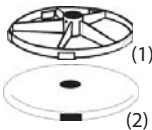
EDP No.	Catalog No.	Ship Wt.	Description	List Price
70740	I-18B	3	18" propeller - use on EDP #70013 motor.	\$96
72100	I-20B5	3	20" propeller - use on EDP #70013 motor.	\$115
73300	I-24B2A2	5	24" propeller.	\$118
73400	I-30B2A	5	30" propeller.	\$129

## Pedestals



EDP No.	Catalog No.	Ship Wt.	Description	List Price
73101	I-2030AP	12	5' to 8' adjustable floor model.	\$78

## Bases



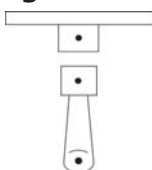
EDP No.	Catalog No.	Ship Wt.	Description	List Price
21153	I-2030B	24	Open base. (1)	\$110
21166	A786B-2	34	Solid base. (2)	\$118

## Wall/Ceiling Mount Bracket



EDP No.	Catalog No.	Ship Wt.	Description	List Price
75002	C-2030W	5	For use with non-oscillating industrial air circulators. Safety Cable Kit included. <b>NOT FOR USE WITH OSCILLATING MOTORS.</b>	\$61

## Ceiling Mount Bracket



EDP No.	Catalog No.	Ship Wt.	Description	List Price
11456	DJ-CM	7	Ceiling mount for use with industrial 20", 24" and 30" non-oscillating fans. Includes Safety Cable Kit. <b>NOT FOR USE WITH OSCILLATING MOTORS.</b>	\$95



## Industrial Air Circulators

### Component Parts

#### Wall Mount Bracket



EDP No.	Catalog No.	Ship Wt.	Description	List Price
37772	IAC-WB	7	Use with industrial oscillating and non-oscillating motors. Includes Safety Cable Kit.	\$66

#### Suspension Mount Bracket



EDP No.	Catalog No.	Wt.	Description	List Price
75003	C-2030S	3	Use with industrial & commercial & non-oscillating air circulators. Includes Safety Cable Kit.	\$47

#### I-Beam Mount Bracket



EDP No.	Catalog No.	Wt.	Description	List Price
37784	IAC-BM-1	13	For use with I-Beam mounting. Includes Safety Cable Kit. NOT FOR USE WITH OSCILLATING MOTORS	\$145

#### Safety Cable



EDP No.	Catalog No.	Wt.	Description	List Price
21204	Safety Kit	3	12' of 1/16" diameter cable, two (2) cable clamps and instructions	\$32

#### Accessories



EDP No.	Catalog No.	Wt.	Description	List Price
70601	AMFW30K	5	Snap-on wheel kit with set screw lock for 18" to 30" Airmaster Pedestal Fans, except I-2030B.	\$82
01723	Switch	2	2 Speed/3 Speed Pull Chain Switch	\$19

## Pedestal & Wall/Ceiling Mounts Non-Oscillating Models - Unit Packs

### 2 Year Warranty

### FEATURES

- Models are UPS Shippable in One Carton
- Pedestal Models Adjust 43" - 63"; 26" Base Diameter
- Wall/Ceiling Mount Models Include Safety Cable
- All Stocked
- 115V, 1/4 HP Non-Oscillating, 1 Phase, 3 Speed, Totally Enclosed Air Over Ball Bearing Motor
- Galvanized Steel Propeller
- 15' Supply Cord and Three Prong Plug Included

### PERFORMANCE 115V

Prop Dia.	CFM			RPM			F.L. Amps
	High	Med.	Low	High	Med.	Low	
24"	4400	3460	2460	1100	800	600	3.5
30"	6100	4400	2700	1100	800	600	3.5



Adjustable Floor Model  
Solid Base



Non-Oscillating  
Ceiling Mount



Non-Oscillating  
Wall Mount



EDP No.	Catalog No.	Prop Dia.	Fan Style	HP	Ship Wt.	List Price
71584	CA24APE	24"	Adjustable Floor (S.B.)	1/4	82	\$514
71572	CA24WC	24"	Wall/Ceiling Mount	1/4	42	\$403
71586	CA30APE	30"	Adjustable Floor (S.B.)	1/4	87	\$528
71573	CA30WC	30"	Wall/Ceiling Mount	1/4	49	\$726

Unit Pack - Motor specified Style Mounting, Propeller & Guard shipped in a single carton.

### MOTOR TILT ADJUSTMENTS

TYPE	TILT UP OR DOWN (IN DEGREES)	
	NON-OSCILLATING	
	UP	DOWN
FLOOR	30°	15°
WALL	30°	50°
I-BEAM	30°	15°
CEILING	0°	90°

0° = Horizontal Plane

A safety cable kit is included in all overhead mounted air circulators to prevent the fan from falling if accidentally struck or mounting fails. Single safety cable kits consist of 12 feet of 1/16" diameter cable, 2 cable clamps and instructions.

## Non-Oscillating Head Assemblies

### PERFORMANCE 115V

Prop Dia.	CFM			RPM			F.L. Amps
	High	Med.	Low	High	Med.	Low	
18"	2520	---	1850	1480	---	1020	2.6
20"	2670	---	2035	1615	---	1240	2.6
24"	4400	3460	2460	1100	800	600	3.5
30"	6100	4400	2700	1100	800	600	3.5



Non-Oscillating  
Head Assembly

EDP No.	Catalog No.	Prop Dia.	Fan Style	HP	Ship Wt.	List Price
37113	I-18TEHA	18"	Head Assembly	1/15*	24	\$325
37114	I-20TEHA	20"	Head Assembly	1/15*	25	\$339
71590	CA24	24"	Head Assembly	1/4	39	\$376
71591	CA30	30"	Head Assembly	1/4	48	\$388

Motor, Guard and Propeller Pre-assembled.

\* Motor is 2 speed.

\*\*30" Head Assembly is UPS OverSize 2.

FOR 18" or 20" FLOOR / COUNTER MODEL FANS – SELECT ASSEMBLED HEAD; PEDESTAL - 73103 (PAGE 17); AND BASE - 21153 (PAGE 17)

## Commercial Air Circulators - 115V

### Pedestal & Wall Mounts Oscillating Models



Oscillating Adjustable  
Pedestal



Oscillating  
Wall Mount

#### 2 Year Warranty - Affordable Quality

#### FEATURES

- Packaged in One UPS Shippable Carton
- Adjustable Pedestal (5' - 8')
- 32" Diameter Base
- Wall Mounts with Safety Cable Included
- All Stocked
- 115V, 1/3 HP, Oscillating, 1 Phase, 3 Speed, Totally Enclosed Air Over Ball Bearing Motor
- Galvanized Steel Propeller
- 15' Supply Cord and Three Prong Plug Included

#### PERFORMANCE 115V

Prop Dia.	CFM			RPM			F.L. Amps
	High	Med.	Low	High	Med.	Low	
24"	4400	3460	2460	1100	800	600	3.2
30"	6100	4400	2700	1100	800	600	3.2



EDP No.	Catalog No.	Prop Dia.	Fan Style	HP	Ship Wt.	List Price
71580	CA24OAP	24"	Adjustable Floor (S.B.)	1/3	78	\$649
71583	CA24OW	24"	Wall Mount	1/3	46	\$480
71581	CA30OAP	30"	Adjustable Floor (S.B.)	1/3	95	\$678
71582	CA30OW	30"	Wall Mount	1/3	57	\$511

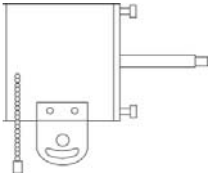
Unit Pack = Motor, Specified Style Mounting, Propeller & Guard shipped in a single carton

TYPE	TILT (IN DEGREES) OSCILLATING	
	UP	DOWN
FLOOR	20°	20°
WALL	0°	20°

0° = Horizontal Plane

A safety cable kit is included in all overhead mounted air circulators to prevent the fan from falling if accidentally struck or mounting fails. Single safety cable kits consist of 12 feet of 1/16" diameter cable, 2 cable clamps and instructions.

## Component Parts Motors



EDP No.	Catalog No.	Ship Wt.	Description	List Price
78018	C-1A	19	Commercial Non-Oscillating motor, ¼ HP, 3.5 Amp, 1 Phase, 3 Speed, TEAO, ball bearing, 5/8" dia. shaft, 15' Power Cord.	\$294
37430	0-3B	23	Commercial Oscillating motor, 1/3 HP, 1 Phase, 3 Speed, 115V, TEAO ball bearing, 5/8" dia. shaft. NOTE: Oscillating motor not to be used in UPSIDE-DOWN position.	\$394
70013	I-1820TEM	10	Shaded pole, 1/15HP, 2 Speed, TEAO, 115V, ball bearing, 1/2" shaft diameter, 2-Sp. switch, 10' cord & plug.	\$226

## Capacitors

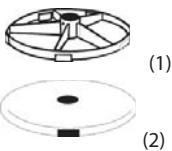
EDP No.	Catalog No.	Ship Wt.	Description	List Price
01683	Capacitor	1	Capacitor for 78019 motors.	\$11
01500	Capacitor	1	Capacitor for 37430 motors.	\$11

## Pedestals



EDP No.	Catalog No.	Ship Wt.	Description	List Price
73103	C-2030NP	7	5' high floor model. Top section provides 33½" counter model. Use only with I-2030B Base. (1)	\$63
73101	I-2030AP	12	5' to 8' adjustable floor model. (2)	\$78

## Bases



EDP No.	Catalog No.	Ship Wt.	Description	List Price
77000	C-2030B	17	Use with C-2030NP. (1) Open base for counter model.	\$123
21153	I-2030B	24	Open base. (1)	\$110
21165	A-786B-1	17	Solid base, 26" dia. (2)	\$116
21166	A786B-2	34	Solid base, 32" dia. (2)	\$118

## Wall/Ceiling Mount Bracket



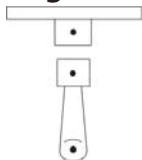
EDP No.	Catalog No.	Ship Wt.	Description	List Price
75002	C-2030W	5	Use with non-oscillating industrial air circulators. <b>NOT FOR USE WITH OSCILLATING MOTORS.</b> Safety Cable Kit included.	\$61

## Wall Mount Bracket



EDP No.	Catalog No.	Ship Wt.	Description	List Price
37772	IAC-WB	7	Recommended for use with oscillating and non-oscillating motors. Includes Safety Cable Kit	\$66

## Ceiling Mount Bracket



EDP No.	Catalog No.	Ship Wt.	Description	List Price
11456	DJ-CM	7	Ceiling mount for use with industrial 20", 24" and 30" non-oscillating fans. Includes Safety Cable Kit. <b>NOT FOR USE WITH OSCILLATING MOTORS.</b>	\$95

## Suspension Mount Bracket



EDP No.	Catalog No.	Ship Wt.	Description	List Price
75003	C-2030S	3	Use with commercial & industrial non-oscillating air circulators. Includes Safety Cable Kit.	\$47

## Commercial Air Circulators

### Component Parts

#### I-Beam Mount Bracket



EDP Number	Catalog No.	Wt.	Description	List Price
37784	IAC-BM-1	13	For use with I-Beam mounting. Includes Safety Cable Kit. NOT FOR USE WITH OSCILLATING MOTORS	\$145

#### Safety Cable



EDP Number	Catalog No.	Wt.	Description	List Price
21204	Safety Kit	3	12' of 1/16" diameter cable, two (2) cable clamps and instructions	\$32

#### Accessories



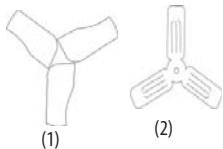
EDP No.	Catalog No.	Wt.	Description	List Price
70601	AMFW30K	5	Snap-on wheel kit with set screw lock for 18" to 30" Pedestal Fans, except I-2030B.	\$82
01723	Switch	2	2 Speed/3 Speed Pull Chain Switch	\$19

#### Guards



EDP No.	Catalog No.	Ship Wt.	Description	List Price
71000	C-1820G	11	18"-20" guard - use on I-1820TEM motor.	\$115
21070	AC24-G	14	24" guard.	\$142
21080	AC30-G	20	30" guard.	\$210

#### Propellers



EDP No.	Catalog No.	Ship Wt.	Description	List Price
70740	I-18B	3	18" propeller - use on I-1820TEM motor. (1)	\$96
72100	I-20B5	3	20" propeller - use on I-1820TEM motor. (1)	\$115
72458	C-24B2	5	Propeller with 5/8" bore, includes bushing to adapt propeller to fit motors with 1/2" shaft (2).	\$118
73058	C-30B	7	30" Propeller with 5/8" bore, includes bushing to adapt propeller to fit motors with 1/2" shaft. (2)	\$129

**Pivot Stands & Work Stations**  
 Open Drip Proof

**High Stand  
Pivot Fan**
**Work Station  
Yoke Mount  
Low Stand  
Pivot Fan**
**1 Year Warranty**  
**FEATURES**

- Available in 12", 18", and 20" Propeller Sizes
- Four Position Easy Reach Switch with 10' Three Conductor Cord and Plug
- High Stand and Yoke Mount Models Adjust 360°
- Nickel Chrome Guards Meet OSHA Regulations
- Work Station Yoke Mount Attaches to any Surface with 1 Bolt or Lag Screw
- 115V, 1 Phase, 3 Speed, Open Drip Proof, Ball Bearing Motor
- Aluminum Propellers

**PERFORMANCE 115V**

Prop Dia.	CFM			RPM			F.L. Amps
	High	Med.	Low	High	Med.	Low	
12"	1448	1165	953	1500	1350	1180	0.5
18"	2966	2437	2013	1600	1350	1180	1.65
20"	3390	2755	2295	1600	1350	1180	1.9

Performance Ratings are conducted in accordance with AMCA Standard 230-99.



EDP No.	Catalog No.	Prop Dia.	Fan Style	HP	Ship Wt.	List Price
78973	I-12LS	12"	Low Stand Pivot Fan	1/16	10	\$141
78971	I-12YM	12"	Work Station Yoke Mount	1/16	11	\$143
78974	I-18LS	18"	Low Stand Pivot Fan	1/8	15	\$194
78969 *	I-18HS	18"	High Stand Pivot Fan*	1/8	23	\$252
78972	I-18YM	18"	Work Station Yoke Mount	1/8	17	\$198
78975	I-20LS	20"	Low Stand Pivot Fan	1/5	17	\$205
78970	I-20YM	20"	Work Station Yoke Mount	1/5	19	\$210

\* 4" diameter wheels

**Totally Enclosed Motor High Velocity Low Stand Fan**

**1 Year Warranty**  
**FEATURES**

- Available in 12" & 18" Propeller Size
- Four Position Easy Reach Switch with 10' Three Conductor Cord and Plug
- Adjusts 360°
- Nickel Chrome Guards
- Meet OSHA Regulations
- 115V, 1 Phase, 3 Speed, Totally Enclosed, Ball Bearing Motor
- Chrome Yoke Mount Included
- Aluminum Propellers

**PERFORMANCE 115V**

Prop Dia.	CFM			RPM			F.L. Amps
	High	Med.	Low	High	Med.	Low	
12"	1855	1550	1300	1450	1250	1050	.35
18"	4550	3824	3346	1600	1350	1180	1.65

High Velocity Low Stand Pivot Fan and Yoke Mount, Totally Enclosed Motor Both Mounts in Same Box

EDP No.	Catalog No.	Prop Dia.	Fan Style	HP	Ship Wt.	List Price
78985	1-12TELS	12"	Low Stand Pivot Fan	1/16	10	\$157
78984	1-18TELS	18"	Low Stand Pivot Fan	1/8	20	\$219

## Light Commercial Non-Oscillating Pedestal & Wall/Ceiling Mounts



### 1 Year Warranty

#### FEATURES

- Non-Oscillating, 1/4 HP, 3 speed, 120V
- 1PH, ball bearing, open ventilated
- Permanently lubricated permanent split capacitor
- Pull Chain, SJT type 3 conductor, 9-1/2' long cord
- Epoxy coated steel guard with retaining clips
- Aluminum blades
- Pedestal adjusts center of fan from 44" to 62"
- Wall/Ceiling mount includes safety cable
- Meets OSHA Standards



### PERFORMANCE 120V

SIZE	CFM			RPM			F.L. AMPS
	HIGH	MED	LOW	HIGH	MED	LOW	
30"	6000	5500	4800	1100	800	600	2.4

EDP No.	Catalog No.	Prop Dia.	Fan Style	Ship Wt.	List Price
71531	LC30AP	30"	Pedestal Mount	62	\$376
71533	LC30WC	30"	Wall/Ceiling Mount	37	\$292

Because these circulators do not have totally enclosed motors, they should be used in clean and dry commercial applications, such as schools, offices or warehouses.

## Heavy Duty Safety Yellow Air Circulators

### 115V Models



**5 Year Warranty - High Visibility, Low Maintenance**

#### FEATURES

- Safety Yellow Color
- 6 Mounting Options
- Hinged Guard for Easy Cleaning
- Meets OSHA Safety Standards
- 115V, 1/3 HP, 1 Phase, Totally Enclosed, 2 Speed, Ball Bearing Motor
- Patented Modular Motor End Dome, For Easy Maintenance
- Designed for Automotive, Food Processing and General Factory Operations
- Non-Oscillating

#### PERFORMANCE 115V

#### PULL CHAIN SWITCH

#### DROP CORD SWITCH

Prop Dia	CFM		RPM		Motor No.	Motor No.
	High	Low	High	Low		
20"	3637	3317	1150	1050	DJ-110V-HEM	DJ-110V-HEM-DCS-2
24"	5280	3980	1120	840	DJ-110V-HEM	DJ-110V-HEM-DCS-2
30"	6915	5000	1115	780	DJ-110V-HEM	DJ-110V-HEM-DCS-2

Performance Ratings are conducted in accordance with AMCA Standard 230-99



### 2 Speed Pull Chain Switch

All 20" Kitted components consist of: 11031 (Motor); 12212 (Guard with Prop) plus mounting listed below.

All 24" Kitted components consist of: 11031 (Motor); 11080 (Guard with Prop) plus mounting listed below.

All 30" Kitted components consist of: 11031 (Motor); 11070 (Guard with Prop) plus mounting listed below.

EDP No.	Catalog No.	Prop Dia.	Fan Style	HP	Ship Wt.	List Price
12200K	DJ-PF20-2SPH	20"	Pedestal Mount 11710 (Base) 11750 (Pedestal)	1/3	78	\$927
12202K	DJ-AKF20-2SPH	20"	Adapter Kit Model 11454 (Adapter Kit with Safety Cable)	1/3	46	\$709
12204K	DJ-WMF20-2SPH	20"	Wall Mount 37772 (Wall Mount with Safety Cable)	1/3	51	\$784
12206K	DJ-CMF20-2SPH	20"	Ceiling / Bench Mount 11456 (Ceil./Bench Mount with Safety Cable)	1/3	51	\$757
12208K	DJ-CCM20-2SPH	20"	Channel Mount 11453 (Channel Beam Mt. with Safety Cable)	1/3	58	\$820
12210K	DJ-BMF20-2SPH	20"	Beam Mount 37784 (Beam Mount with Safety Cable)	1/3	58	\$796
10501K	DJ-PF24-2SPH	24"	Pedestal Mount 11710 (Base) 11750 (Pedestal)	1/3	82	\$945
10101K	DJ-AKF24-2SPH	24"	Adapter Kit Model 11454 (Adapter Kit with Safety Cable)	1/3	50	\$732
10401K	DJ-WMF24-2SPH	24"	Wall Mount 37772 (Wall Mount with Safety Cable)	1/3	55	\$804
10301K	DJ-CMF24-2SPH	24"	Ceiling / Bench Mount 11456 (Ceil./Bench Mount with Safety Cable)	1/3	55	\$780
10203K	DJ-CCM24-2SPH	24"	Channel Mount 11453 (Channel Beam Mt. with Safety Cable)	1/3	62	\$843
10204K	DJ-BMF24-2SPH	24"	Beam Mount 37784 (Beam Mount with Safety Cable)	1/3	62	\$817
10551K	DJ-PF30-2SPH	30"	Pedestal Mount 11710 (Base) 11750 (Pedestal)	1/3	89	\$964
10151K	DJ-AKF30-2SPH	30"	Adapter Kit Model 11454 (Adapter Kit with Safety Cable)	1/3	54	\$751
10451K	DJ-WMF30-2SPH	30"	Wall Mount 37772 (Wall Mount with Safety Cable)	1/3	59	\$822
10351K	DJ-CMF30-2SPH	30"	Ceiling / Bench Mount 11456 (Ceil./Bench Mount with Safety Cable)	1/3	59	\$781
10253K	DJ-CCM30-2SPH	30"	Channel Mount 11453 (Channel Beam Mt. with Safety Cable)	1/3	66	\$860
10254K	DJ-BMF30-2SPH	30"	Beam Mount 37784 (Beam Mount with Safety Cable)	1/3	66	\$838



## Heavy Duty Safety Yellow Air Circulators

### 115V Models

#### 2 Speed Drop Cord Switch

All 20" Kitted components consist of: 12005 (Motor); 12212 (Guard with Prop) plus mounting listed below.

All 24" Kitted components consist of: 12005 (Motor); 11080 (Guard with Prop) plus mounting listed below.

All 30" Kitted components consist of: 12005 (Motor); 11070 (Guard with Prop) plus mounting listed below.

EDP No.	Catalog No.	Prop Dia.	Fan Style	HP	Ship Wt.	List Price
12201K	DJ-PF20-2SPH-DC	20"	Pedestal Mount 11710 (Base) 11750 (Pedestal)	1/3	81	\$989
12203K	DJ-AKF20-2SPH-DC	20"	Adapter Kit Model 11454 (Adapter Kit with Safety Cable)	1/3	49	\$773
12205K	DJ-WMF20-2SPH-DC	20"	Wall Mount 37772 (Wall Mount with Safety Cable)	1/3	54	\$846
12207K	DJ-CMF20-2SPH-DC	20"	Ceiling / Bench Mount 11456 (Ceil./Bench Mount with Safety Cable)	1/3	54	\$819
12209K	DJ-CCM20-2SPH-DC	20"	Channel Mount 11453 (Channel Beam Mt. with Safety Cable)	1/3	61	\$885
12211K	DJ-BMF20-2SPH-DC	20"	Beam Mount 37784 (Beam Mount with Safety Cable)	1/3	61	\$858
10731K	DJ-PF24-2SPH-DC	24"	Pedestal Mount 11710 (Base) 11750 (Pedestal)	1/3	85	\$1,008
10733K	DJ-AKF24-2SPH-DC	24"	Adapter Kit Model 11454 (Adapter Kit with Safety Cable)	1/3	53	\$793
10740K	DJ-WMF24-2SPH-DC	24"	Wall Mount 37772 (Wall Mount with Safety Cable)	1/3	58	\$868
10738K	DJ-CMF24-2SPH-DC	24"	Ceiling / Bench Mount 11456 (Ceil./Bench Mount with Safety Cable)	1/3	58	\$842
10735K	DJ-CCM24-2SPH-DC	24"	Channel Mount 11453 (Channel Beam Mt. with Safety Cable)	1/3	65	\$906
10750K	DJ-BMF24-2SPH-DC	24"	Beam Mount 37784 (Beam Mount with Safety Cable)	1/3	65	\$882
10732K	DJ-PF30-2SPH-DC	30"	Pedestal Mount 11710 (Base) 11750 (Pedestal)	1/3	92	\$1,030
10734K	DJ-AKF30-2SPH-DC	30"	Adapter Kit Model 11454 (Adapter Kit with Safety Cable)	1/3	57	\$814
10741K	DJ-WMF30-2SPH-DC	30"	Wall Mount 37772 (Wall Mount with Safety Cable)	1/3	62	\$889
10739K	DJ-CMF30-2SPH-DC	30"	Ceiling / Bench Mount 11456 (Ceil./Bench Mount with Safety Cable)	1/3	62	\$858
10736K	DJ-CCM30-2SPH-DC	30"	Channel Mount 11453 (Channel Beam Mt. with Safety Cable)	1/3	69	\$927
10737K	DJ-BMF30-2SPH-DC	30"	Beam Mount 37784 (Beam Mount with Safety Cable)	1/3	68	\$898

#### Safety Head Assemblies 1/3HP

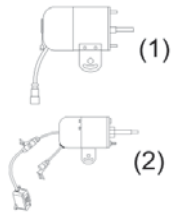
EDP No.	Catalog No.	Ship Wt.	List Price
12553	DJ24 Head Assy.	58	\$733
12554	DJ30 Head Assy.	55	\$752

A safety cable kit is included in all overhead mounted air circulators to prevent the fan from falling if accidentally struck or mounting fails.

Single safety cable kits consist of 12 feet of 1/16" diameter cable, 2 cable clamps and instructions.

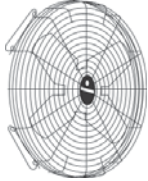


### Component Parts Motors



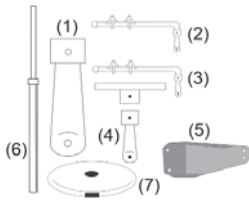
EDP No.	Catalog No.	Ship Wt.	Description	List Price
11031	DJ-110V-HEM	19	High efficiency, 115V, 2.7A, 2 speed, 1/2" shaft dia., 1/3 HP, TE ball bearing motor with modular end dome and recessed pull chain.	\$435
12005	DJ-110V-HEM-DCS2	19	Above 115V, 2.7 Amp, 1/3 HP, TE motor with 2 speed drop cord switch. (2)	\$517

### Guard & Propeller Components



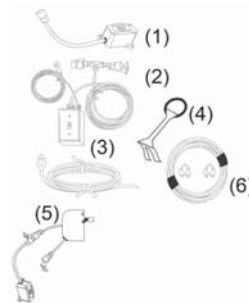
EDP No.	Catalog No.	Ship Wt.	Description	List Price
12212	DJ-20HGB	20	20" Hinged Guard (yellow PVC coated) and Propeller.	\$276
11080	DJ-24HGB	30	24" Hinged Guard (yellow PVC coated) and Propeller.	\$298
11070	DJ-30HGB	32	30" Hinged Guard (yellow PVC coated) and Propeller.	\$317

### Mounting Components



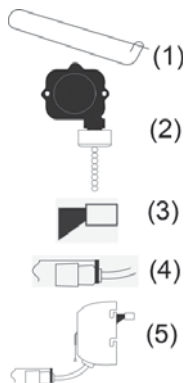
EDP No.	Catalog No.	Ship Wt.	Description	List Price
11454	DJ-AK	3	Adapter Kit - Used with 20, 24 or 30 inch fans. (1)	\$50
11453	DJ-CCM	14	Channel Mount - Used with 20, 24 or 30 inch fans. (2)	\$159
37784	IAC-BM-1	13	Beam Mount - Used with 20, 24 or 30 inch fans. (3)	\$145
11456	DJ-CM	7	Ceiling/Bench Mount - Used with 20, 24 or 30 inch fans. (4)	\$95
37772	IAC-WB	7	Wall Mount - Used with 20, 24 or 30 inch fans. (5)	\$66
11750	DJ-PC	12	Yellow Pedestal Column - Used with 20, 24 or 30 inch fans. (6)	\$104
11710	DJ-PB	33	Yellow Pedestal Base - Used with 20, 24 or 30 inch fans. (7)	\$160

### Safety Fan Accessories



EDP No.	Catalog No.	Ship Wt.	Description	List Price
12001	DJ-DCS-2	1	Drop cord with 2 speed switch. (1)	\$47
12191	DJ-DCS	2	15' drop cord with 1 speed switch (Patent #4,672,234). (2)	\$156
12002	DJ-EC-6	1	6' extension cord - for use with 2 speed drop cord switch. (3)	\$27
12008	DJ-EC-9	1	9' extension cord - for use with 2 speed drop cord switch. (3)	\$29
12009	DJ-EC-12	1	12' extension cord - for use with 2 speed drop cord switch. (3)	\$32
12000	DJ-MMS-DCS-2	2	Modular end dome with drop cord and 2 speed switch. (5)	\$104
03033	Cord Lock	1	Cord Lock Assembly (4)	\$7
21204	Safety Kit	3	Safety cable kit - 12' of 1/16" cable and 2 clamps. (6)	\$32

### Safety Fan Replacement Parts



EDP No.	Catalog No.	Ship Wt.	Description	List Price
12219	DJ-HSP20	1	Guard safety pins. (set of 3) (1) For 20" fan.	\$13
11010	DJ-HSP	1	Guard safety pins. (set of 4) (1) For 24" & 30" fans.	\$17
01750	Guard Pin	1	Guard safety pins. (1 pin only) (1) For 24" & 30" fans.	\$13
01723	Switch	2	Switch - pull chain. (2)	\$19
01518	DJ-CAP-HE	1	Capacitor - 7.5 MF. (3)	\$20
12192	DJ-CRP	2	Cord and plug. (4)	\$37
12251	DJMMS-HE	1	Modular Motor Shell (complete with switch, 7.5 MF capacitor & male connector.) (5) <b>NOTE:</b> Adapter Kit is used to adapt fan head to 1 1/2" (1 1/2 th reads/inch ) pipe mounts.	\$86

## Heavy Duty Easy Clean Air Circulators

### 115V Models



#### 2 Year Warranty - Affordable Quality

#### FEATURES

- 3 Mounting Options
- Meets OSHA Safety Standards
- Galvanized Steel Propeller
- 15' Supply Cord Included
- Nickel-Chrome Plated Hinged Guard for ease of cleaning
- 115V, 1/3 HP, 1 Phase, TEAO, Ball Bearing Motor, Non-Oscillating
- Drop Cord Models 2 Speed, Pull Chain Models 3 Speed
- Patented Black Modular Motor End Dome
- Designed for Automotive, Schools, Warehouses, General Factory Operations and Any dusty/dirty environment.



#### DROP CORD SWITCH PERFORMANCE 115V

Prop Dia.	CFM	RPM	Motor No.	F.L. Amps
30"	6100/2700	1100/600	642-AC2SDC	2.7

#### PULL CHAIN SWITCH PERFORMANCE 115V

Prop Dia.	CFM	RPM	Motor No.	F.L. Amps
30"	6100/4400/2700	1100/800/600	642-AC 3 SP	2.8

Performance Ratings are conducted in accordance with AMCA Standard 230-99

For 2-Speed Drop Cord Switch: All 30" Kitted components consist of: 21090 (Motor); 21089 (Hinged Guard & Prop) plus mounting below.

For 3-Speed Pull Chain Switch: All 30" Kitted components consist of: 21017 (Motor); 21089 (Hinged Guard & Prop) plus mounting below.

### 2-Speed Drop Cord Switch

EDP No.	Catalog No.	Prop Dia.	Fan Style	Ship Wt.	HP	List Price
71503	CA30HGDCS	30"	Head Assy	49	1/3	\$653
71504K	CA30HGDCSIB	30"	I-Beam	65	1/3	\$855
71506K	CA30HGDCSPB	30"	Pedestal	92	1/3	\$885
71507K	CA30HGDCWM	30"	Wall	62	1/3	\$776

### 3-Speed Pull Chain Switch

EDP No.	Catalog No.	Prop Dia.	Fan Style	Ship Wt.	HP	List Price
71500	CA30HGPC	30"	Head Assy	49	1/3	\$545
71501K	CA30HGPCWM	30"	Wall	62	1/3	\$668
71502K	CA30HGPCPB	30"	Pedestal	92	1/3	\$777
71505K	CA30HGPCIB	30"	I-Beam	65	1/3	\$747

### Component Parts

EDP No.	Catalog No.	Ship Wt.	Description	List Price
01515	DCD	2	Dome only for drop cord	\$66
01633	Cord	2	15' Power Cord	\$38
01723	Switch	2	Switch-Pull Chain	\$19
01754	GUARD-SAFETY PIN	1	Safety Pin - 1 only	\$17
12013	2-SPDCS	2	End Dome with drop cord and 2 speed switch	\$105
12015	DCS-2	1	Drop Cord with 2 speed switch	\$47
21017	642-AC 3 SP	19	Pull Chain Motor	\$489
21089	COM30-HG&P	32	30" Hinged Guard and Prop - Chrome	\$295
21090	642-AC2SDC	19	Drop Cord Motor	\$513
21152	8CP-2B HD	13	Pedestal	\$125
21166	A786B-2	34	Solid 32" floor base	\$118
21187	878W	10	Tilted Wall Bracket with Safety Cable	\$127
21191	700-U	14	I-Beam Bracket with Safety Cable	\$210
21204	Safety Kit	1	Safety Cable	\$32

NOTES: "K" suffix indicates unit shipped as individual component parts. May be shipped UPS or Truck.

A safety cable kit is included in all overhead mounted air circulators to prevent the fan from falling if accidentally struck or mounting fails. Single safety cable kits consist of 12 feet of 1/16" diameter cable, 2 cable clamps and instructions

## 2 Speed Motor



**1 Year Warranty - Can Lower Ambient Air Temperature to the Dew Point  
Commercial, Industrial, Agricultural & Residential Applications**

### FEATURES

- Patented 3 Nozzle Misting Head
- Variable Water Output - up to 6 Gallons/Hour
- Air Pattern of 60' Long x 20' Wide
- Non-Oscillating Indoor/Outdoor 115V, 1/3 HP, 1 Phase, 2 Speed, Ball Bearing Motor with Waterproof 2 Speed Switch
- 10 Foot Cord and Plug Included
- Dual Point Filtering System - Stainless Steel In-Line Filter & a Filter for Large Objects at the Hose Connection
- Mounting Yoke on Barrel Fan Allows for 360° Tilt
- Metal Parts Epoxy Powder Coated

### PERFORMANCE 115V

Prop Dia.	Fan Style	CFM	RPM
30"	Pedestal Barrel	8800/6000	1140/950

Performance Ratings are conducted in accordance with AMCA Standard 230-99.

EDP No.	Catalog No.	Prop Dia.	Fan Style	HP	Ship Wt.	List Price
60031	AMF-30-B	30"	Pedestal Barrel	1/3	96	\$1,185



## Washdown Air Circulators

### Stainless Steel Food Service 115V and 115/230V Air Circulator 115V (20") & 115/230V (24" & 30") Unit Pack Models



Stainless Steel Floor Model

**10 Year Warranty - BISSC Approved**

**FEATURES**

- Constructed with Electro-polished 304 Stainless Steel Meets the USDA and the NSF Requirements for "Food Zones"
- All Stainless Steel Motor
- Motor Washdown Specification is IEC-IP55
- Non-Oscillating, 115V, 1/15 HP (20") and 115/230V, 1/4 HP(24"), 1/3 HP (30"), 1 Phase, TENV, Ball Bearing
- Designed to Withstand Moist/Wet Environments, High Pressure Cleaning with Concentrated Caustic Solutions without Affecting Performance or Function.
- Available in Non-Adjustable Pedestal or Wall Mount

**PERFORMANCE 115V (20") & 115/230V (24" & 30")**

Prop Dia.	CFM	RPM	Motor No.
20"	2670	1600	5B
24"	5220	1075	4G
30"	8800	1075	4H

Performance Ratings are conducted in accordance with AMCA Standard 230-99.



Stainless Steel Wall Model

EDP No.	Catalog No.	Prop Dia.	Fan Style	HP	PH	Ship Wt.	List Price
70834	PWIISS20	20"	Floor Model	1/15	1	69	\$2,408
70833	WWIISS20	20"	Wall Model	1/15	1	52	\$2,123
70836	PWIISS24	24"	Floor Model	1/4	1	79	\$2,834
70835	WWIISS24	24"	Wall Model	1/4	1	62	\$2,498
70764	PWIISS30	30"	Floor Model	1/3	1	81	\$3,186
70767	WWIISS30	30"	Wall Model	1/3	1	64	\$2,808

**Note:** When assembling fans use only the stainless steel fasteners supplied with the motors. Fans and motors should be cleaned and inspected regularly.

\*CORD AND PLUG NOT PROVIDED WITH 115V or 115/230V MODELS. MUST BE HARD WIRED. WIRING. MUST CONFORM TO ALL NATIONAL, STATE AND LOCAL CODES.

**CHEMICAL RESISTANCE RATING CHART**

CHEMICAL	CONCENTRATION	STAINLESS STEEL PARTS
<b>WATER:</b>		
De-Ionized Boiling	100%	Excellent
Salt (Immersed)	30%	Excellent
Salt (Spray)	5%	Excellent
Tap - 250° /120° @10,000 PSI	100%	Excellent
<b>ACIDS:</b>		
Hydrochloric	35%	Poor
Sulfuric	25%	Poor
Nitric	35%	Excellent
Picric	Saturated Solution	Excellent
<b>BASE:</b>		
Caustic	100%	Excellent
Caustic	12pH	Excellent
Caustic - 1250 F/500 C	9.5pH	Excellent
<b>SOLVENTS:</b>		
	-	Excellent

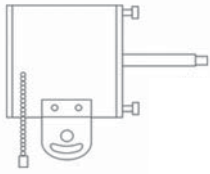
**WASHDOWN APPLICATIONS**

FOOD SERVICE	DAIRY BARNs
HOSPITALS	POULTRY HOUSES
FOOD PROCESSING	FISHERIES

**NOTES:**

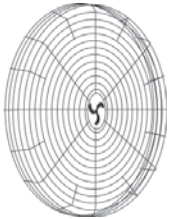
TENV = Totally Enclosed Non Vented  
A safety cable kit is included in all overhead mounted air circulators to prevent the fan from falling if accidentally struck or mounting fails. Single safety cable kits consist of 12 feet of 1/16" diameter cable, 2 cable clamps and instructions.

### Stainless Steel & General Duty Component Parts 115V and 115/230V Motors (Hard Wired)



EDP No.	Catalog No.	F. L. Amps	Ship Wt.	Description	List Price
78039	5B	1.4	30	1/15 HP, 115V, 1 Phase, ball bearing, 1/2" shaft (Stainless Steel) *BISCC Approved	\$1,009
78040	4G	3.87	32	1/4 HP, 115/230V, 1 Phase, ball bearing 1/2" shaft (Stainless Steel) *BISCC Approved	\$1,393
78042	4H	3.87	34	1/3 HP, 115/230V, 1 Phase, ball bearing, 1/2" shaft (Stainless Steel) *BISCC Approved	\$1,657

### Guards



EDP No.	Catalog No.	Ship Wt.	Description	List Price
70840	AC20GSS	16	20" Stainless Steel Guard	\$466
70841	AC24GSS	18	24" Stainless Steel Guard	\$557
70761	AC30GSS	19	30" Stainless Steel Guard	\$708

### Propellers



EDP No.	Catalog No.	Ship Wt.	Description	List Price
70842	WGBS20	4	20" Stainless Steel Propeller	\$194
70843	WGBS24	5	24" Stainless Steel Propeller	\$206
72401	WGBS30	6	30" Stainless Steel Propeller	\$222

### Pedestal



EDP No.	Catalog No.	Ship Wt.	Description	List Price
73001	PEDSS	7	Stainless Steel Stationary Pedestal, 5' Height/ Bottom 33½" Counter Model	\$222

### Base



EDP No.	Catalog No.	Ship Wt.	Description	List Price
77001	BOS	16	Open Base - Stainless Steel	\$377

### Wall Mount Bracket



EDP No.	Catalog No.	Ship Wt.	Description	List Price
37773	IAC-WBS	7	Stainless Steel Wall Mount Bracket (Complete with Safety Cable)	\$227

## Portable Mancoolers - 115V

### Direct Drive Models

#### 4 - IN - 1® FAN



Ceiling Mount



Hanging Mount



Portable Barrel



Wall Mount

#### 2 Year Warranty - Affordable Versatility

##### FEATURES

- Versatile
- One Fan - Four Mounting Options
- All Mountings In One Box
- Easy To Assemble
- Guards, Barrel, Mountings Epoxy Coated
- Tilttable
- Pull Chain Switch

##### PERFORMANCE 115V MODELS

Prop Dia.	Fan Style	CFM	RPM	F.L. AMPS
30"	4 - IN - 1 All Mounts	5670/4590/3410	1110/810/600	2.9 / 2.1 / 1.93
36"	4 - IN - 1 All Mounts	11200/8090	830/600	4.6 / 3.5



EDP No.	Catalog No.	Prop Dia.	Fan Style	HP	Ship Wt.	List Price
60470	DD3041	30"	4 - IN- 1 All Mounts	1/4	97	\$621
60471	DD3641	36"	4 - IN- 1 All Mounts	1/2	119	\$744

\* 36" 4-IN-1 Mancooler® is oversized. Additional UPS charges apply.

A safety cable kit is included in all overhead mounted air circulators to prevent the fan from falling if accidentally struck or mounting fails. Single safety cable kits consist of 12 feet of 1/16" diameter cable, 2 cable clamps and instructions.

### 24" MANCOOLER®



Portable Barrel

#### 2 Year Warranty

##### FEATURES

- 115V, 1/4HP, 1 Phase, TEAO
- Ball Bearing Motor
- Two Speed Rocker Switch
- Epoxy Coated Barrel
- Epoxy Coated Steel Spiral Resilient Mounted Guards
- Tilttable
- Handle with Cord Wrap for 10' Cord with Three Prong Plug



EDP No.	Catalog No.	Prop Dia.	Fan Style	HP	CFM High Low	RPM High Low	Amps	Ship Wt.	List Price
70001	DDMC24C	24"	Portable Barrel	1/4	4000 / 2100	1100 / 800	3.5	75	\$502

**MC Belt Drive Models**

**2 Year Warranty - Engineered for Superior Performance**
**FEATURES ON ALL BELT DRIVE MANCOOLERS®**

- Guards Epoxy Coated
- Barrel Epoxy Coated

**MC420S**

- 115V, 1 Phase, 2 Speed, ODP, 1 HP Motor
- Motor Out of Air Stream
- Four Bladed Aluminum Propeller
- 2 Speed Rocker Switch
- Steel Hubbed Wheels with Locking Casters
- Full Width Handle with Cord Wrap
- SJT 10' Cord with Three Prong Plug
- Epoxy Coated Steel Spiral, Vibration Isolated Mounted Guards
- 20 ga. Roll Form, Epoxy Coated Housing
- Fully Assembled
- Compliant with OSHA Requirements
- Quiet - Db: High 75, Low 67



EDP No.	Catalog No.	Prop Dia.	Fan Style	HP	Cabinet Size	CFM	RPM	Ship Wt.	List Price
60002	MC420S	42"	Portable	1 (2 Speed)	46"	17,100 / 9,558	430 / 285	130	\$970


**EMC42D**

- 115V, 1/2 HP, 2 SP, 1 Phase, ODP, Ball Bearing Motor, Rocker Switch
- 10' Three Conductor SJT Type Cord
- Aluminum 3 Blade Prop
- Epoxy Coated Steel Spiral, Resilient Mounted Guards
- 16" Diameter Barrel with 15-1/2" Width Fully Assembled
- Compliant with OSHA Requirements
- Fully Assembled
- 8" Steel Wheels
- Full Width Easy Grip Handle
- 20 ga, Roll Form Epoxy Coated Housing



EDP No.	Catalog No.	Prop Dia.	Fan Style	HP	Cabinet Size	CFM	RPM	Ship Wt.	List Price
60007	EMC42D	42"	Portable	1/2 (2 Speed)	46"	14,000 / 8000	540 / 400	120	\$869
05242	---	42"	Replacement Propeller					7	\$205


**MC42 / MC48 SWIVEL MOUNTS**

- 115V, 1 Phase, 1 Speed, ODP, 3/4 (42") & 1 HP (48") Motor
- Four Bladed Epoxy Coated Steel Propeller
- Tilttable 30°, Locks in Place
- 4" Steel Wheels with Rubber Tires
- Pull Handle with Cord Wrap
- 12' Three Conductor SJT Type Cord and Switch



EDP No.	Catalog No.	Prop Dia.	Fan Style	HP	Cabinet Size	CFM	RPM	Ship Wt.	List Price
60025	MC42B	42"	Swivel Mt.	3/4 (2 Speed)	42½"	16,180	380	135	\$1,748
60026	MC48B	48"	Swivel Mt.	1 (1 Speed)	48½"	17,730	385	160	\$2,129



## Portable Mancoolers® - 115V

### EMC Belt Drive Models



**2 Year Warranty - Engineered for Superior Performance**  
**FEATURES ON ALL BELT DRIVE MANCOOLERS®**

- Guards Epoxy Coated
- Barrel Epoxy Coated

#### BDMC36C

- 115V, 1 Phase, 2 Speed, ODP, 1/2 HP Motor
- 36" Diameter Three Bladed Aluminum Propeller
- Tilttable
- Two Speed Rocker Switch
- Steel Wheels with Rubber Tires
- Handle with Cord Wrap
- 10' Cord with Three Prong Plug



EDP No.	Catalog No.	Prop Dia.	Fan Style	HP	Cabinet Size	CFM	RPM	Ship Wt.	List Price
70005	BDMC36C	36"	Portable	1/2 (2 Speed)	36½"	7800/5300	660/450	116	\$720



**2 Year Warranty**

#### EMC48B

- 115V, 1 Phase, 1 Speed, ODP, 1 HP Motor
- Four Bladed Epoxy Coated Steel Propeller
- Steel Wheels with Rubber Tires
- Front Leg Bracket, Pull Handle
- 12' Three Conductor SJT Type Cord and Switch



EDP No.	Catalog No.	Prop Dia.	Fan Style	HP	Cabinet Size	CFM	RPM	Ship Wt.	List Price
60019	EMC48B	48"	Portable	1 (1SP)	48½"	17,173	385	165	\$ 1,740

### Belt Drive Portable Mancoolers®

**1 Year Warranty**

#### FEATURES

- 115V, 1/2 HP (36") or 1 HP (42"), 1 Phase, 2 Speed, ODP, Ball Bearing Motor
- Aluminum Four Bladed Propeller
- Epoxy Coated Steel Guards and Housing
- 8" Steel Wheels
- Full Width Easy Grip Handle
- 550 Watts (36"), 630 Watts (42")
- Grounded Plug and 10' Cord
- 2 Speed Rocker Switch
- Velocity: 159 fpm @ 90 feet
- Fully Assembled



#### PERFORMANCE 115V

Prop Dia.	CFM		RPM		dBA	
	High	Low	High	Low	High	Low
36"	8758	7962	600	545	68	65
42"	13036	11850	582	517	70	66



EDP No.	Catalog No.	Prop Dia.	Fan Style	HP	Ship Wt.	List Price
78938	LC36BD	36"	Portable	1/2	82	\$579
78933	LC42BD	42"	Portable	1	103	\$704

## Portable Mancoolers® - 115V / Heavy Duty Mobile Filtered Fan

### Mancooler® Belt Drive Cabinet Fans Models - 115V



#### 2 Year Warranty

#### FEATURES

- Completely Assembled
- On/Off Switch & Handle
- Cord and Plug Included
- 115V, 1 Phase, 1 Speed, Open Drip Proof, Ball Bearing Motor



#### PERFORMANCE 115V

Prop Dia.	Cabinet Size	CFM	RPM
30"	36¼" x 19" W	7360	580
36"	42¼" x 19" W	9230	430
42"	48¼" x 19" W	13620	440
48"	54¼" x 19" W	17770	400

EDP No.	Catalog No.	Prop Dia.	Fan Style	HP	Ship Wt.	List Price
39130	M30RA	30"	Cabinet Fan	1/2	141	\$2,502
39140	M36RA	36"	Cabinet Fan	1/2	151	\$2,621
39150	M42RA	42"	Cabinet Fan	3/4	277	\$3,504
39160	M48RA	48"	Cabinet Fan	1	312	\$3,814

### Heavy Duty Mobile Filtered Fan - Belt Drive and Direct Drive

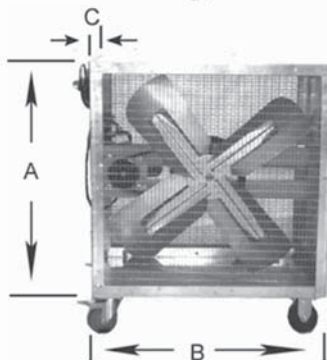


#### MODELS BDFD and DDFD

1 Year Warranty - Removes Dust Particles from Circulated Air

#### FEATURES

- Heavy Duty Epoxy Coated Steel
- Galvanized Steel Prop
- 2 Speed, Non-overloading PSC, ODP Motor
- Sealed Ball Bearings
- Two Swivel, Two Fixed Casters for Easy Mobility
- 115V, 1/2 HP, 1 PH
- Easy to Replace Filters Available



#### Dimensions

Size	A	B	C
30"	36"	34"	21"
36"	41.5"	39"	21"
42"	47.5"	45"	21"

#### Belt Drive Models

EDP No.	Catalog No.	Prop Dia	CFM High	RPM High	HP	Volt	Amps	Ship Wt	List Price
39171	30BDFF	30"	3606	627	1/2	115	5.04	140	\$1,386
39181	36BDFF	36"	4463	530	1/2	115	5.28	160	\$1,604
39191	42BDFF	42"	5702	377	1/2	115	6.19	285	\$1,782

#### Direct Drive Model

EDP No.	Catalog No.	Prop Dia	CFM High	RPM High	HP	Volt	Amps	Ship Wt	List Price
39201	36DDFF	36"	5460	850	1/2	115	4.5	165	\$1,443

## Portable Utility Blower And Heater Option

### Portable Utility Blower



**1 Year Warranty - Ready to Use**

**BLOWER FEATURES**

- 120V, 60 Hz, 3 Speed, 1.77 Amp Draw, Ball bearing Motor
- Up to 300 CFM Airflow
- Three speed selector switch
- 8-1/2 Foot Cord with Grounded Plug
- Compact Portable Design with Impact Resistant Shell
- Rubber Contact Pads for Surface Protection
- Carrying Handle,
- Adjustable Air Direction
- Resettable Circuit Breaker Protection
- Two 120V, 10 Amp. Receptacles with Protective Covers
- CSA Listed



EDP No.	Catalog No.	Size	Max Amps.	Ship Wt.	List Price
78967	UB180	12-1/2" x 9" x 13"	12	9	\$134

### Optional Heater Attachment



**1 Year Warranty**

**FEATURES**

- 120V, 60 Hz, 10 Amps., 1320 Watts, 4500 BTU Heating Capacity
- Lighted On/Off Rocker Switch
- 8" Cord with Grounded Plug
- Thermal Protection
- Clips Securely onto Front of Blower
- Plugs into Outlet on Side of Blower
- Converts Blower into Lightweight Portable Heater
- CSA Listed



EDP No.	Catalog No.	Size	Ship Wt.	List Price
78966	HFUB11	8-3/4" x 4-7/8" x 3-1/8"	2	\$57



Continuous Duty...Reduces Energy Costs

### FEATURES

#### Mark VI

- Shipped Complete with Safety Cable Included
- 2 Year Commercial Warranty
- Non Reversible
- Two Down Rods with each fan (included)
- UL Listed



#### Mark I

- Shipped Complete with Safety Cable Included
- 1 Year Commercial Warranty
- UL / CUL Listed
- All Mark Ceiling Fans are Painted with Electro-Static White Paint
- Non Reversible
- Two Down Rods with each fan (included)



### All Ceiling Fans Stocked

### PERFORMANCE 115V MODELS

Prop Dia.	Fan Style	Down Length*	CFM	RPM	Volt	Amps	Watts Full Speed
	MARK I	30"/15"	26400	290	120	0.50	65
56"	MARK VI-115	32"/14"	32900	311	120	1.12	120
	MARK VI-277	32"/14"	32900	307	277	0.31	125
60"	MARK VI-60	30"/15"	39600	320	120	1.20	120

\*Down Length measurement from ceiling to bottom of motor.

### 120V Models

EDP No.	Catalog No.	Prop Dia.	Ship Wt.	List Price
40132	MARK I	56"	15	\$125
40123	MARK VI-115	56"	17	\$241
40060 *	MARK VI-60	60"	19	\$374

\*While Supplies Last

### 277V Models

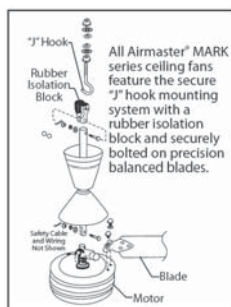
EDP No.	Catalog No.	Prop Dia.	Ship Wt.	List Price
40124	MARK VI-277	56"	16	\$268

Multiple fans, wire in parallel.

Ambient temperature for all models is 104° F. (40° C).

State and local electrical codes apply to all installation procedures.

† Recommended for quiet applications, such as churches or schools, when using Variable Speed Control as produces least audible harmonics.



### 115V Models

2 Year Commercial Warranty - Moisture & Dust Resistant Jetproof

### FEATURES

- Preassembled with Watertight Power Cord and Safety Cable
- Moisture and Dust Resistant

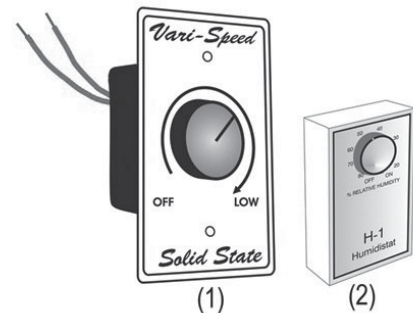
Prop Dia.	Fan Style	Down Length*	CFM	RPM	Volt	Amps	Watts Full Speed
56"	MARK VI Jetproof (JPCP)	24"	32900	311	115	1.12	120

EDP No.	Catalog No.	Prop Dia.	Ship Wt.	List Price
40129	MARK VI Jetproof (JP-CP)	56"	16	\$378

Multiple fans, wire in parallel

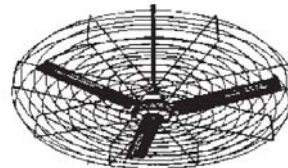
### Accessories

### Controls For Commercial & Industrial Ceiling Fans



EDP No.	Catalog No.	Ship Wt.	Description	List Price
24855	485210	1	Variable speed control regulates 1 to 6 fans. Not to exceed a maximum amp draw of 6.0 (1)	\$74
24860	596321	1	Variable speed control regulates 7 to 12 fans. Not to exceed a maximum amp draw of 10.0 (1)	\$152
24848	374111	1	Variable speed control, 277V, 1 to 3 fans. 1.5 amps. (1)	\$77
24880	H-1	1	Humidistat (2) 20% to 80% RH range.	\$313

### Protective Ceiling Fan Guards



EDP No.	Catalog No.	Ship Wt.	Description	List Price
40006	UCFG	21	61-inch diameter nickel chrome plated top and bottom guard kit	\$370

### Safety Cable Kit



EDP No.	Catalog No.	Ship Wt.	Description	List Price
21204	Safety Kit	3	Safety Cable Kit - Available for Retrofit Applications	\$32

## Understanding Ceiling Fans

### Heat & Humidity are safety issues!

Hot air increases humidity which over time increases plant mold and mildew. If plant air is left stagnant (no ventilation), then your employees and any warehoused product sitting on the shelf are exposed to this potential damage. Heat and humidity are safety issues.

### A cost effective way to keep air moving

Bigger ceiling fans are not necessarily better as they may move a larger amount of air, but they are just pushing this volume of hot air on to people and they are expensive. Our Airmaster ceiling fans are designed quiet and are a cost effective way of moving hot air. In most industrial & commercial buildings, people and processes and weather create heat. Heat creates hot air that becomes stratified at the ceiling. The temperature of this air can far exceed 140° above the plant floor. The hot air can become a source of cost savings as this heat is a source of untapped energy savings.

### How can I capture this energy savings?

By installing our Airmaster ceiling fans, hot plant air is recirculated and mixed with floor air, creating a uniform air temperature from floor to ceiling. Even in an air conditioned facility, ceiling fans can help recirculate the cooled air, keeping it where it is needed, at the plant floor level. Cost savings will vary based on the plant size and location, but the direct result is a potential energy savings that can reduce heating cost by as much as 30% annually.

To maximize savings, ceiling fans should be placed above equipment that produces heat such as : ovens, air compressors, generators, etc...

### Reversible Ceiling Fans do not function as advertised

Ceiling fans take stratified hot air and mixes it with plant air to produce a cooling effect. Reversing the fan will only blow the hot air at the ceiling and does not draw air flow up from the floor. Instead, the air hits the ceiling and the air flow velocity drops to near zero. This air is then spread across the ceiling, drops a short distance and drifts back to the inlet of the ceiling fan. When a ceiling fan is used in reverse, the result, is air that does not circulate in large areas and this wastes energy. Reversible ceiling fans defeat the purpose of the fan and keeps the hot air at the ceiling.

### Picking a Ceiling Fan

When ceiling fans are used to help cool people, Airmaster recommends spacing them 15-20' apart in the occupied area. In warehouse areas, we recommend placing the ceiling fans in the aisle ways.

### EXAMPLE: Warehouse with 20' ceilings

Warehouse Size 100' L x 80' W = 8,000 Square Feet  
One fan for every 4,000 Square Feet = 2 ceiling fans

Plant Ceiling Height	Recommended Floor Area per fan
40'	One every 2,900 Square Feet
30'	One every 4,000 Square Feet
20'	One every 4,000 Square Feet
15'	One every 4,000 Square Feet

\*\* Ceiling fans should be mounted at least 10' off the floor.

\*\* The use of safety cables is required on all ceiling fan installations.

**For additional help and information, contact Airmaster Fans Engineering Department.**

## Direct Drive Air Blasters 115/230V & 230/460V



**High Stand**



**Medium Stand**



**Low Stand**

### 1 Year Warranty - FEATURES

- Cast Aluminum Non-Sparking Propellers
  - Front & Rear Guards Meet OSHA Standards
  - Adjustable Tilt Drum on High & Medium Models
  - Non-Tipping Heavy Base
  - Welded Steel Construction
  - Portable or Stationary Mount
  - 115/230V & 230/460V, Totally Enclosed and Explosion Proof, Ball Bearing Motors
- NOTE: For special custom order products - Once in production, non-cancellable, non returnable under any circumstance.**



### PERFORMANCE 115/230V & 230/460V

Prop Dia. <sup>1</sup>	Decibals @ 10'	HP	CFM	RPM
18"	74	1/4	3450	1725
24"	80	1/4	5200	1725
	80	1/2	6500	1725
	82	1	7400	1725
	87	3	10500	1725
30"	86	1/2	8000	1725
	92	1-1/2	11000	1725
	94	3	16000	1725
36"	88	1-1/2	14850	1725
	90	2	16800	1725
	84	3	20000	1150
42"	86	2	18000	1150
	86	5	28000	1150
48"	105	7-1/2	37000	1150

<sup>1</sup>Actual Propeller 3/4" less.

### High Stand Model - 360° TILT

#### Totally Enclosed Motor

#### 1 Phase 115/230V

EDP No.	Catalog No.	Prop Dia.	HP	Wt.	List Price
21300	18M-1/4	18"	1/4	228	\$4,775
21310	24M-1/4	24"	1/4	255	\$4,908
21320	24M-1/2	24"	1/2	260	\$5,221
21330	24M-1	24"	1	270	\$5,581
21350	30M-1/2	30"	1/2	281	\$5,804
21360	30M-1-1/2	30"	1 1/2	340	\$6,519
21380	36M-1-1/2	36"	1 1/2	415	\$7,431
21390	36M-2	36"	2	420	\$7,775

#### 3 Phase 230/460V

EDP No.	Catalog No.	Prop Dia.	HP	Wt.	List Price
21301	18MP-1/4	18"	1/4	228	\$4,754
21311	24MP-1/4	24"	1/4	255	\$4,887
21321	24MP-1/2	24"	1/2	260	\$5,183
21331	24MP-1	24"	1	270	\$5,512
21341	24MP-3	24"	3	300	\$6,079
21351	30MP-1/2	30"	1/2	281	\$5,766
21361	30MP-1-1/2	30"	1 1/2	340	\$6,249
21371	30MP-3	30"	3	360	\$6,535
21381	36MP-1-1/2	36"	1 1/2	415	\$7,160
21391	36MP-2	36"	2	420	\$7,346
21601	36MP-3	36"	3	445	\$8,835
21411	42MP-2	42"	2	565	\$8,968
21621	42MP-5	42"	5	590	\$10,234
21631	48MP-7-1/2	48"	7 1/2	875	\$14,405

## Direct Drive Air Blasters 115/230V & 230/ 460V

### High Stand Model - 360° TILT

#### Explosion Proof Motor

##### 1 Phase 115/230V

EDP No.	Catalog No.	Prop Dia.	HP	Wt.	List Price
21302	18M-1/4X	18"	1/4	228	\$5,549
21312	24M-1/4X	24"	1/4	255	\$5,676
21322	24M-1/2X	24"	1/2	260	\$6,180
21332	24M-1X	24"	1	270	\$6,455
21352	30M-1/2X	30"	1/2	281	\$6,763
21362	30M-1-1/2X	30"	1 1/2	340	\$9,100
21382	36M-1-1/2X	36"	1 1/2	415	\$10,006

##### 3 Phase 230/460V

EDP No.	Catalog No.	Prop Dia.	HP	Wt.	List Price
21303	18MP-1/4X	18"	1/4	228	\$5,554
21313	24MP-1/4X	24"	1/4	255	\$5,687
21323	24MP-1/2X	24"	1/2	260	\$6,259
21333	24MP-1X	24"	1	270	\$6,508
21343	24MP-3X	24"	3	300	\$7,526
21353	30MP-1/2X	30"	1/2	281	\$6,842
21363	30MP-1-1/2X	30"	1 1/2	340	\$8,173
21373	30MP-3X	30"	3	360	\$7,977
21383	36MP-1-1/2X	36"	1 1/2	415	\$7,709
21393	36MP-2X	36"	2	420	\$7,907
21603	36MP-3X	36"	3	445	\$10,796
21413	42MP-2X	42"	2	565	\$9,297
21623	42MP-5X	42"	5	590	\$13,303
21633	48MP-7-1/2X	48"	7 1/2	875	\$15,386

### Medium Stand Model - 360° TILT

#### Totally Enclosed Motor

##### 1 Phase 115/230V

EDP No.	Catalog No.	Prop Dia.	HP	Wt.	List Price
21700	18M-1/4M	18"	1/4	160	\$3,689
21710	24M-1/4M	24"	1/4	165	\$4,436
21720	24M-1/2M	24"	1/2	180	\$4,749
21730	24M-1M	24"	1	190	\$5,109
21750	30M-1/2M	30"	1/2	220	\$5,263
21760	30M-1-1/2M	30"	1 1/2	260	\$5,978
21780	36M-1-1/2M	36"	1 1/2	320	\$7,044
21790	36M-2M	36"	2	325	\$7,394

##### 3 Phase 230/460V

EDP No.	Catalog No.	Prop Dia.	HP	Wt.	List Price
21701	18MP-1/4M	18"	1/4	160	\$3,641
21711	24MP-1/4M	24"	1/4	165	\$3,749
21721	24MP-1/2M	24"	1/2	180	\$4,712
21731	24MP-1M	24"	1	190	\$5,040
21741	24MP-3M	24"	3	260	\$5,607
21751	30MP-1/2M	30"	1/2	220	\$5,226
21761	30MP-1-1/2M	30"	1 1/2	260	\$5,708
21771	30MP-3M	30"	3	277	\$5,994
21781	36MP-1-1/2M	36"	1 1/2	320	\$6,773
21791	36MP-2M	36"	2	325	\$6,964
22001	36MP-3M	36"	3	350	\$8,427
21811	42MP-2M	42"	2	415	\$8,263
22021	42MP-5M	42"	5	440	\$9,529
22031	48MP-7-1/2M	48"	7 1/2	745	\$13,250

### Explosion Proof Motor

#### 1 Phase 115/230V

EDP No.	Catalog No.	Prop Dia.	HP	Wt.	List Price
21702	18M-1/4MX	18"	1/4	160	\$5,077
21712	24M-1/4MX	24"	1/4	165	\$5,205
21722	24M-1/2MX	24"	1/2	180	\$5,708
21732	24M-1MX	24"	1	190	\$5,984
21752	30M-1/2MX	30"	1/2	220	\$6,228
21762	30M-1-1/2MX	30"	1 1/2	260	\$8,560
21782	36M-1-1/2MX	36"	1 1/2	320	\$9,625

##### 3 Phase 230/460V

EDP No.	Catalog No.	Prop Dia.	HP	Wt.	List Price
21703	18MP-1/4MX	18"	1/4	160	\$5,083
21713	24MP-1/4MX	24"	1/4	165	\$5,215
21723	24MP-1/2MX	24"	1/2	180	\$5,788
21733	24MP-1MX	24"	1	190	\$6,037
21743	24MP-3MX	24"	3	260	\$7,054
21753	30MP-1/2MX	30"	1/2	220	\$6,302
21763	30MP-1-1/2MX	30"	1 1/2	260	\$6,480
21773	30MP-3MX	30"	3	277	\$7,436
21783	36MP-1-1/2MX	36"	1 1/2	320	\$7,385
21793	36MP-2MX	36"	2	325	\$7,583
22003	36MP-3MX	36"	3	350	\$10,409
21813	42MP-2MX	42"	2	415	\$8,703
22023	42MP-5MX	42"	5	440	\$10,701
22033	48MP-7-1/2MX	48"	7 1/2	745	\$14,374

### Low Stand Model

#### Totally Enclosed Motor

##### 1 Phase 115/230V

EDP No.	Catalog No.	Prop Dia.	HP	Wt.	List Price
22100	18M-1/4L	18"	1/4	87	\$3,535
22110	24M-1/4L	24"	1/4	115	\$3,620
22120	24M-1/2L	24"	1/2	120	\$3,938
22130	24M-1L	24"	1	130	\$4,298
22150	30M-1/2L	30"	1/2	141	\$4,362
22160	30M-1-1/2L	30"	1 1/2	200	\$5,077
22180	36M-1-1/2L	36"	1 1/2	250	\$5,857
22190	36M-2L	36"	2	255	\$6,201

##### 3 Phase 230/460V

EDP No.	Catalog No.	Prop Dia.	HP	Wt.	List Price
22101	18MP-1/4L	18"	1/4	87	\$2,984
22111	24MP-1/4L	24"	1/4	115	\$3,599
22121	24MP-1/2L	24"	1/2	120	\$3,901
22131	24MP-1L	24"	1	130	\$4,229
22141	24MP-3L	24"	3	160	\$5,211
22151	30MP-1/2L	30"	1/2	141	\$4,325
22161	30MP-1-1/2L	30"	1 1/2	200	\$4,807
22171	30MP-3L	30"	3	220	\$5,088
22181	36MP-1-1/2L	36"	1 1/2	250	\$5,586
22191	36MP-2L	36"	2	255	\$5,772
22401	36MP-3L	36"	3	280	\$7,240
22211	42MP-2L	42"	2	315	\$7,060
22421	42MP-5L	42"	5	340	\$8,332
22431	48MP-7-1/2L	48"	7 1/2	685	\$11,851

## Direct Drive Air Blasters 115/230V & 230 / 460V

### Low Stand Model Explosion Proof Motor 1 Phase 115/230V

EDP No.	Catalog No.	Prop Dia.	HP	Wt.	List Price
22102	18M-1/4LX	18"	1/4	87	\$4,304
22112	24M-1/4LX	24"	1/4	115	\$4,394
22122	24M-1/2LX	24"	1/2	120	\$4,897
22132	24M-1LX	24"	1	130	\$5,168
22152	30M-1/2LX	30"	1/2	141	\$5,321
22162	30M-1-1/2LX	30"	1 1/2	200	\$7,653
22182	36M-1-1/2LX	36"	1 1/2	250	\$8,438

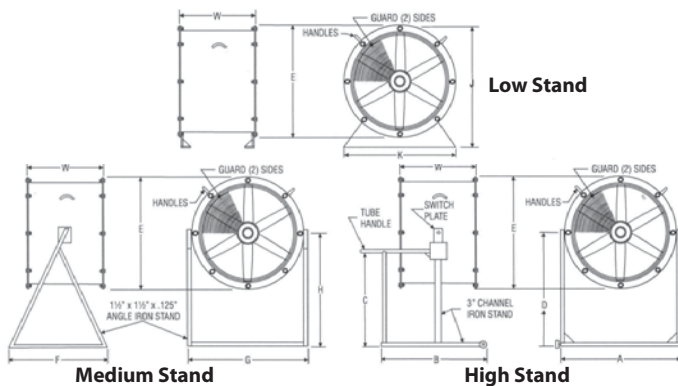
### 3 Phase 230/460V

EDP No.	Catalog No.	Prop Dia.	HP	Wt.	List Price
22103	18MP-1/4LX	18"	1/4	87	\$4,314
22113	24MP-1/4LX	24"	1/4	115	\$4,399
22123	24MP-1/2LX	24"	1/2	120	\$4,971
22133	24MP-1LX	24"	1	130	\$5,226
22143	24MP-3LX	24"	3	160	\$6,238
22153	30MP-1/2LX	30"	1/2	141	\$5,395
22163	30MP-1-1/2LX	30"	1 1/2	200	\$5,711
22173	30MP-3LX	30"	3	220	\$6,535
22183	36MP-1-1/2LX	36"	1 1/2	250	\$6,372
22193	36MP-2LX	36"	2	255	\$6,570
22403	36MP-3LX	36"	3	280	\$9,222
22213	42MP-2LX	42"	2	315	\$7,682
22423	42MP-5LX	42"	5	340	\$11,400
22433	48MP-7-1/2LX	48"	7 1/2	685	\$12,974

NOTES: Fans are pre-assembled, tested and ready to install. Specify voltage required when ordering.  
Special custom order product. Once in production, non-cancelable, non-returnable under any circumstance.

### AIR BLASTER DIMENSIONS

PROP DIA	A	B	C	D	E	F	G	H	J	K	W
18	23	30	25	42	20	32	23 1/2	28	21 1/2	18	20
24	29	30	25	42	26	32	29 1/2	28	27 1/2	24	20
30	35	30	25	42	32	32	35 1/2	28	33 1/2	30	20
36	41	30	25	42	38	32	41 1/2	28	39 1/2	36	24
42	47	30	25 1/2	42	44	32	47 1/2	28	45 1/2	42	24
48	53	30	25 1/2	42	51	32	53 1/2	36	52	48	28



### Accessories & Modifications



### Yoke Mount - Tilt Only

EDP No.	Catalog No.	Prop Dia.	Wt.	Description	List Price
22440	Yoke Mount-Tilt	18"	45	For wall/ceiling mount	\$918
22450	Yoke Mount-Tilt	24"	50	For wall/ceiling mount	\$932
22460	Yoke Mount-Tilt	30"	55	For wall/ceiling mount	\$1,008
22470	Yoke Mount-Tilt	36"	70	For wall/ceiling mount	\$1,251

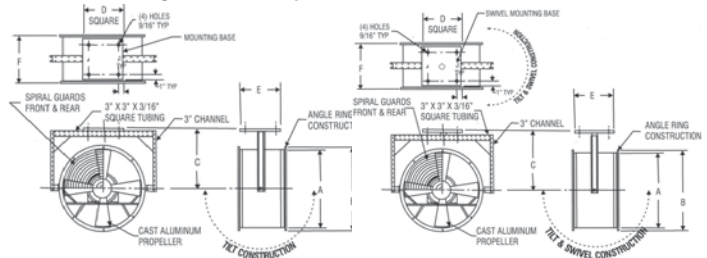
### Yoke Mount - Tilt & Swivel

EDP No.	Catalog No.	Prop Dia.	Wt.	Description	List Price
22441	Yoke Mount-Tilt, Swivel	18"	45	For wall/ceiling mount	\$1,468
22451	Yoke Mount-Tilt, Swivel	24"	50	For wall/ceiling mount	\$1,479
22461	Yoke Mount-Tilt, Swivel	30"	55	For wall/ceiling mount	\$1,569
22471	Yoke Mount-Tilt, Swivel	36"	70	For wall/ceiling mount	\$1,855

### Castors (For Low & Medium Models)

EDP No.	Catalog No.	Prop Dia.	Wt.	Description	List Price
22480	Castors	18"-30"	12	Two fixed / two swivel (with locking device)	\$567
22490	Castors	36"-48"	16	Two fixed / two swivel (with locking device)	\$790

Add the following to low stand prices:



### AIR BLASTER YOKE MOUNT DIMENSIONS

SIZE	A	B	C*	C**	D	E	F
18	18	20	17	17-1/2	15	15	20
24	24	26	21	21-1/2	15	15	20
30	30	30	25	25-1/2	15	15	20
36	36	28	29	29-1/2	18	18	24

\* Dimension for Tilt Only;

\*\* Dimension for Tilt and Swivel Only

### Optional Prewired Starter Switches 1 Phase Standard

EDP No.	Catalog No.	Motor HP	List Price
91901	Starter Switch	1/4, 1/2, 1	\$1,007
91902	Starter Switch	1 1/2	\$1,007

### Optional Prewired Starter Switches

### 3 Phase Standard

EDP No.	Catalog No.	Motor HP	List Price
91903	Starter Switch	1/4, 1/2, 1, 1 1/2, 2, 3	\$1,033
91904	Starter Switch	5	\$1,033



## Heaters

### Milkhouse Heater



**1 Year Warranty -  
FEATURES**

- 120V, 60 Hz, 2 Settings
- Portable Structure
- Easy to use, built in thermostat
- Two comfort heat selections, overheat and tip-over shut off control
- 3 prong grounded plug and 6 foot cord
- Power-On Indicator Lamp
- Size: 10.7" (W) x 16.5" (H) x 8.5" (D)
- Amps 12.5 / 10.8



EDP No.	Catalog No.	BtuH Output	Settings	Ship Wt.	List Price
71537	MMHD1502C	5518/4436	1.5KW / 1.3KW	12	\$ 98

### Mask Heater



**1 Year Warranty -  
FEATURES**

- 120V, 60 Hz, 3 Settings
- Portable Structure
- Thermostat maintains desired room temperature
- Overheat and tip-over shut-off controls
- 3 prong grounded plug and 6 foot cord
- Durable all metal construction with ceramic core element and power-on Indicator lamp
- Extended safety grille
- Size: 12.3" (W) x 15.7" (H) x 12" (D)
- Amps: 12.5 / 7.5 / 5.0



EDP No.	Catalog No.	BtuH Output	Settings	Ship Wt.	List Price
71538	MCM1503	5120 / 3071 / 2047	1.5KW / 0.9 KW / 0.6KW	12	\$ 123

### Portable Ceramic Heater



1 Year Warranty -

**FEATURES**

- 120V, 60 Hz, 1.5KW, 3 Settings
- Portable Structure
- Tip-over safety switch
- Thermostat maintains desired room temperature
- Amps: 12.5

EDP No.	Catalog No.	BtuH Output	Settings	Ship Wt.	List Price
71552	PCH03	5120	Motor / 750 W / 1500 W	8	\$ 94

### Electric Salamander



1 Year Warranty -

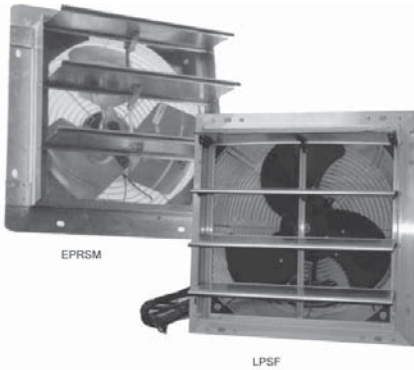
**FEATURES**

- 480V, 60 Hz
- Drum Body Structure
- Long life finned tubular heating elements
- Enclosure with safety screens on both air intake and output openings
- High limit thermal cutout switch
- Thermostat maintains desired room temperature

EDP No.	Catalog No.	BtuH Output	Watts	Amps	Ship Wt.	List Price
71550	IFH15	51180	15KW	18	80	\$ 1369
71551	IFH30	102360	30KW	36	100	\$ 1751



## Low Pressure Shutter Fan MODEL EPRSM & LPSF



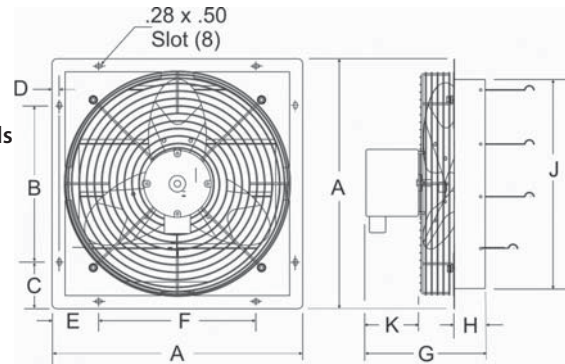
### 1 Year Warranty

#### FEATURES

- Fully Assembled - Ready to Install
- Rear Guard Meets OSHA Standards
- Totally Enclosed Motor
- EPRSM 7 and EPRSM30 Models are UL Listed; LPSF Models are CUL Listed\*



◀ = EDP in Stock



### PERFORMANCE / PRICING LPSF

EDP No.	Catalog No.	Prop Dia.	Panel Size (Square)	Wall Opening (Square)	0" S.P. CFM	1/8" S.P. CFM	Motor HP	Volt	PH	Max. Sones @ 5'	Ship Wt.	List Price
◀ 23011	LPSF10	10"	13-1/8"	10-1/2"	611	318	1/30	115	1	6.6	10	\$258
◀ 23015	LPSF12	12"	15-1/8"	13"	815	490	1/30	115	1	7.6	12	\$294
◀ 23012	LPSF16	16"	19-1/8"	17"	1216	765	1/20	115	1	8.0	20	\$440
◀ 23013	LPSF18	18"	21-1/8"	18-1/2"	1877	752	1/15	115	1	8.4	25	\$491
◀ 23016	LPSF20	20"	23-1/8"	20-1/2"	2235	920	1/15*	115	1	9.0	29	\$522
◀ 23014	LPSF24	24"	27-1/8"	25"	3214	2015	1/4**	115	1	11.7	48	\$615

All LPSF Models are 2-Speed with Pull Chain, Plug and Cord Included

### DIMENSIONS

Model	A	B	C	D	E	F	G	H	J	K
LPSF10	13.13	6	3.56	.56	3.56	6	8.06	2.38	10	3.00
LPSF12	15.13	8	3.56	.56	3.56	8	8.06	2.38	12	3.00
LPSF16	19.13	12	3.56	.56	3.56	12	9.06	2.38	16	4.00
LPSF18	21.13	14	3.56	.56	3.56	14	11.00	2.50	18	4.75
LPSF20	23.13	16	3.56	.56	3.56	16	11.00	2.50	20	4.75
LPSF24	27.13	20	3.56	.56	3.56	20	12.65	3.00	24	5.00

### PERFORMANCE / PRICING EPRSM

EDP No.	Catalog No.	Prop Dia.	Panel Size (Square)	Wall Opening (Square)	0" S.P. CFM	1/8" S.P. CFM	Motor HP	Volt	PH	Max. Sones @ 5'	Ship Wt.	List Price
◀ 23000	EPRSM7	7"	11-1/8"	8-1/2"	121	60	1/30	115	1	4.8	10	\$301
23001	EPRSM10	10"	13-1/8"	10-1/2"	611	318	1/30	115	1	6.6	10	\$324
23002	EPRSM12	12"	15-1/8"	13"	815	490	1/30	115	1	7.6	12	\$368
23003	EPRSM16	16"	19-1/8"	17"	1216	765	1/20	115	1	8.0	20	\$550
23004	EPRSM18	18"	21-1/8"	18-1/2"	1877	752	1/15	115	1	8.4	25	\$614
23007	EPRSM20	20"	23-1/8"	20-1/2"	2235	920	1/15*	115	1	9.0	29	\$654
23005	EPRSM24	24"	27-1/8"	25"	3214	2015	1/4*	115	1	11.7	48	\$769
◀ 23008**	EPRSM30	30"	33-1/8"	30-1/2"	4970	3510	1/4**	115	1	12.0	54	\$917

### DIMENSIONS

Model	A	B	C	D	E	F	G	H	J	K
EPRSM7	11.13	4	3.56	.56	3.56	4	8.06	2.38	8	3.00
EPRSM10	13.13	6	3.56	.56	3.56	6	8.06	2.38	10	3.00
EPRSM12	15.13	8	3.56	.56	3.56	8	8.06	2.38	12	3.00
EPRSM16	19.13	12	3.56	.56	3.56	12	9.06	2.38	16	4.00
EPRSM18	21.13	14	3.56	.56	3.56	14	11.00	2.50	18	4.75
EPRSM20	23.13	16	3.56	.56	3.56	16	11.00	2.50	20	4.75
EPRSM24	27.13	20	3.56	.56	3.56	20	12.65	3.00	24	5.00
EPRSM30	33.13	26	3.56	.56	3.56	26	12.65	3.00	30	5.00

EPRSM7 23000, ERSM10 23001, ERSM12 23002, ERSM16 23003, ERSM18 23004 are hard wired; EPRSM20 23007, EPRSM24 23005, EPRSM30 23008\*\*,

\*3-Speed with Pull Chain, Plug and Cord Included

Made in USA



## Low Pressure All Purpose Wall Fan

### MODEL EPR

1 Year Warranty - Totally Enclosed Two Speed 115V

#### FEATURES

- High Efficiency
- Low Operating Cost
- Commercial Duty
- Totally Enclosed Motor



◀ = EDP in Stock

EDP No.	Catalog No.	Prop Dia.	HP	Fan RPM	Capacity (CFM) @ "SP In. W.G.					Max. Sones @ 5'	Ship Wt.	List Price	
					0"	.05"	.10"	.125"	.02"				.250"
◀ 24100	10EPR16	10"	1/30	1550	630	469	418	394	309	234	5.6	12	\$506**
◀ 24110	12EPR16	12"	1/30	1550	897	843	754	689	503	378	6.0	14	\$527*
◀ 24120	16EPR16	16"	1/9	1050	1881	1766	1626	1540	1169	814	8.8	24	\$639**
◀ 24130	18EPR16	18"	1/9	1050	2504	2345	2149	2035	1553	884	9.5	27	\$679*

NOTE: For Supply Duty add "S" prefix to EDP Number and use list price divided by 0.80.

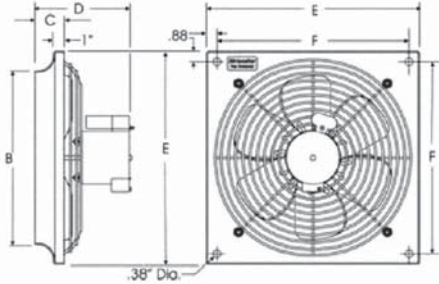
For \* or \*\* see Controls below.

#### RECOMMENDED OPTIONAL ACCESSORIES (EDP numbers in parenthesis)

Catalog Number	Wall Collar		Exhaust Shutter For Use With Wall Collar			Supply Shutter For Use With Wall Collar			Exhaust Shutter For Use Without Wall Collar			Supply Shutter For Use Without Wall Collar			Safety Guards Prop Side (Front)				
10EPR16	WS10	(06883)	\$257	EASRMF10	(22970)	\$78	WC9	(22754)	\$164	EASRMF12	(22971)	\$84	WC10	(22755)	\$176	10EPR	(23060)	3#	\$244
12EPR16	WS12	(06884)	\$277	EASRMF12	(22971)	\$84	WC10	(22755)	\$176	EASRMF14	(22972)	\$98	WC12	(22611)	\$176	12EPR	(23070)	4#	\$255
16EPR16	WS16E	(06885)	\$316	EASRMF14	(22972)	\$98	WC12	(22611)	\$176	EASRMF18	(22973)	\$127	WC16	(22621)	\$186	16EPR	(23080)	5#	\$316
18EPR16	WS18E	(06886)	\$365	EASRMF18	(22973)	\$127	WC16	(22621)	\$186	EASRMF20	(22974)	\$140	WC18	(22631)	\$221	18EPR	(23090)	7#	\$320

See page 57 for WS Wall Collar Dimensions. See page 56 for WRE and WC shutter selection/installation information, ship weights and cautions.

NOTE: When a WRE or WC Shutter is used for exhaust or supply and mounted remote from the fan, a WS Wall Collar is not needed. The shutter installed directly on the wall and a Motor Actuator Kit must be utilized.



#### FAN DIMENSIONS (INCHES)

Size	A	B	C	D	E	F	H(DIA.)	# HOLES
10	10	10 1/4	1 1/2	6	14	12.25	.38	4
12	12	12 1/4	1 1/2	8	16	14.25	.38	4
16	16	16 1/2	1 3/4	9 1/2	20	18.25	.38	4
18	18	18 1/2	1 3/4	10	22	20.25	.38	4

#### For Motorized Shutters Add Motor Kit

#### EASR Exhaust Motor Kit - For 9" to 36" Wall Shutters

EDP No.	Catalog No.	List Price
22982	MTR-556 SP	\$261

Specify voltage needed when ordering.

#### Manual Chain Operator - 1 Panel Exhaust Shutter (For 10" to 36")

EDP No.	Catalog No.	List Price
80111	Manual Chain Operator	\$206

#### WC Supply Duty Motor Kit - For 9" - 36" Supply Shutters

EDP No.	Catalog No.	List Price
22900	MK5047-B	\$268

Units are single phase operation. Specify voltage needed when ordering.

NOTE: If Supply Shutter is remote from fan, it must be motorized.

#### Controls

EDP No.	Catalog No.	Model	Item	List Price
24852	Switch	-	*Two Speed Switch for Fan Only	\$60
85388	Switch	-	*Two Speed Switch for Fan & Supply Shutter	\$49
24855	485210	458210 **	Variable Speed	\$74
24820	T-1	T-1	Thermostat (115V only)	\$266

## Low Pressure Industrial Duty

### MODEL EXG



1 Year Warranty



◀ = EDP in Stock

#### Explosion Proof 1 Phase 115/230V

EDP No.	Catalog No.	Prop Dia.	HP	Fan RPM	Capacity (CFM) @ "SP In. W.G.			Approx. Ship Wt.	Max. Sones @ 5'	List Price
					0"	1/8"	1/4"			
◀ 24350	12EXG16	12"	1/4	1725	970	900	800	25	6.7	\$1,725
◀ 24360	16EXG16	16"	1/4	1725	2950	2200	1900	40	17.6	\$1,997
24371	18EXG16A	18"	1/4	1140	2600	2200	1000	62	10.5	\$2,206
◀ 24381	24EXG16A	24"	1/4	1140	5100	4780	3550	75	20.6	\$2,079

#### Explosion Proof 3 Phase 230/460V

EDP No.	Catalog No.	Prop Dia.	HP	Fan RPM	Capacity (CFM) @ "SP In. W.G.			Approx. Ship Wt.	Max. Sones @ 5'	List Price
					0"	1/8"	1/4"			
24391	18EBX836A	18"	1/4	1140	2600	2200	1000	60	10.5	\$2,190
24401	24EBX836A	24"	1/4	1140	5100	4780	3550	90	20.6	\$2,276

For supply duty add "S" prefix to EDP Number and use list price divided by 0.80. Supply duty are custom orders, non-cancelable, non-returnable once in production Explosion Proof Motors Class I, Group D & Class II Groups E, F & G, with the exception of the 12" and 16" sizes which are Explosion Proof Motors, Class I, Group D & Class II Groups F & G. Propellers have spark resistant aluminum blades.

See page 3 for Explosion Proof Motor information. Do not use variable speed control with EXG fan.

#### RECOMMENDED OPTIONAL ACCESSORIES (EDP Numbers in Parenthesis)

Prop Dia.	Wall Collar			Exhaust Shutter for use			Supply Shutter for use			Safety Guards					
				With Wall Collar			Without Wall Collar			With Wall Collar			Without Wall Collar		
12"	WS12	(06884)	\$277	EASRMF12	(22971)	\$84	WC10	(22755)	\$176	12FG	(23660)	7#	\$257		
				EASRMF14	(22972)	\$98	WC12	(22611)	\$176	12RG	(23605)	15#	\$298		
16"	WS18E	(06886)	\$365	EASRMF18	(22973)	\$127	WC16	(22621)	\$186	16FG	(23665)	11#	\$273		
				EASRMF18	(22973)	\$127	WC16	(22621)	\$186	16RG	(23610)	21#	\$374		
18"	WS18	(06894)	\$342	EASRMF20	(22974)	\$140	WC18	(22631)	\$221	18FG	(23670)	11#	\$310		
				EASRMF20	(22974)	\$140	WC18	(22631)	\$221	18RG	(23615)	23#	\$426		
24"	WS24	(06887)	\$362	EASRMF26	(22975)	\$181	WC24	(22641)	\$276	24FG	(23675)	15#	\$342		
				EASRMF26	(22975)	\$181	WC24	(22641)	\$276	24RG	(23620)	28#	\$450		

**NOTE:** When an EASR or WC shutter is used for exhaust or supply and mounted remote from the fan, a WS Wall Collar is not needed.

The shutter is installed directly on the wall and a Motor Actuator Kit must be utilized.

#### NOTES:

Weatherhoods are available for the 24" units. WS Wall Collars are shipped knocked down.

WC Supply Shutters are not weather resistant. It is recommended that the WC be used with a weatherhood.

See pages 57 and 58 for WS Wall Collar Dimensions & Weatherhoods.

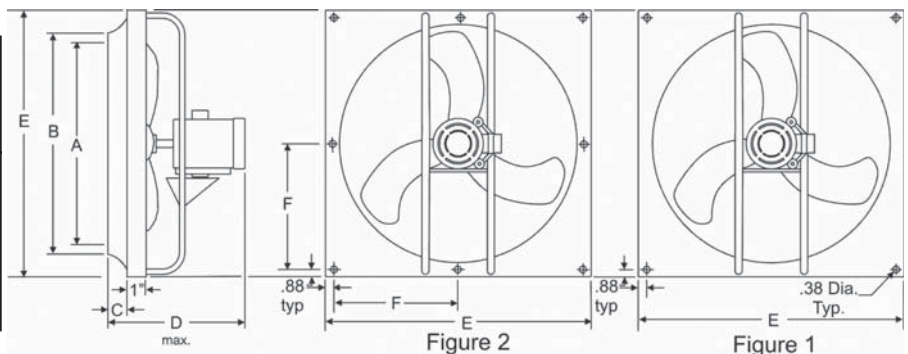
See page 58 for prop (front) and motor (rear) side guard dimensions.

For Epoxy Coating Finish of shutters or guards, add "E" suffix to EDP# and use list price divided by 0.65.

See page 56 for EASR and WC shutter selection/installation information, ship weights and cautions.

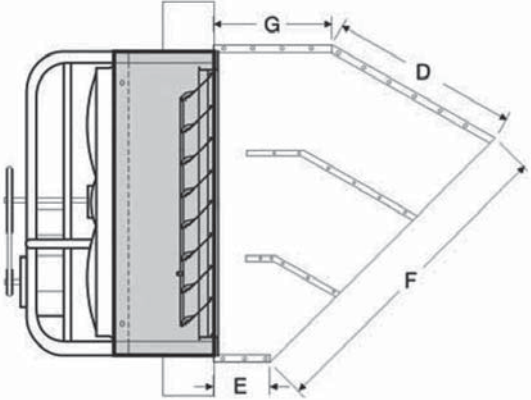
#### DIMENSIONS FOR EXG (IN.)

Size	12"	16"	18"	24"
See Fig.	1	1	1	2
A(Dia.)	12	16	18	24
B	12 1/2	16 1/2	18 1/2	24 1/2
C	1-5/8	1-7/8	2	2 1/2
D	10-5/8	13-3/4	15-1/2	15 1/2
E	16	22	24	30
F				14-1/8
H(Dia.)	.38	.38	.38	.38
HOLES	4	4	4	8



## Supply Duty Option And Supply Fan Accessories

For EPR, EXG, PD, HV, PB and HA Series Of Wall Fans



### SUPPLY DUTY INFORMATION

Airmaster offers a supply duty option for the EPR, EXG, PD, HV, PB AND HA series wall fans. The fans are custom built with the venture facing the motor, allowing the fan to blow air into the building and still have the motor on the inside.

**To order Supply Duty Fan, add "S" to EDP number and use list price divided by 0.80. Supply Duty fans are custom order products and are non-cancelable, non-returnable once in production.**

Recommended optional accessories include the WC supply shutters, WS wall collars, WH weather hoods, FG front guards and RG rear guards. See pages 41, 49, 52, 54-58

### WC SUPPLY SHUTTER SELECTION / INSTALLATION INFORMATION AND CAUTIONS:

The velocity profile near the fan blade tips (spot velocity) is non-uniform and will vary by fan model. This spot velocity condition can damage a backdraft damper if it exceeds the maximum recommended backdraft damper velocity. For this reason, it is recommended that the backdraft damper be mounted a minimum of 1/3 the fan diameter away from the fan outlet.

## Low Pressure Industrial Duty MODEL PD



PD18 & 24

PD30 & 36

◀ = EDP in Stock

### 1 Year Warranty - FEATURES

- Totally Enclosed, Ball Bearing Motor
- High Efficiency
- 2 Speed, Single Phase; or, Single Speed,
- Three Phase Motors Available



### Totally Encl. Two Speed \*115V

EDP No.	Catalog No.	Prop Dia.	HP	Fan RPM	Capacity (CFM) @ "SP In. W.G.				Max. Sones @ 5'	Approx. Ship Wt.	List Price
					0"	1/10"	1/8"	1/4"			
◀ 24201	PD18T-D3A	18"	1/6	1110	2680	2414	2332	1789	12.0	34	\$801
◀ 24211	PD24T-E3A	24"	1/2	870	4860	4360	4270	2800	11.6	56	\$908
◀ 24221	PD30T-G3A	30"	1/2	845	7380	6850	6750	5500	16.7	73	\$1,804
◀ 24231	PD36R-G3A	36"	1/2	840	8664	7814	7545	5916	20.5	95	\$2,127

### TEFC 1 Speed, 3 Ph. 230/460V

◀ = EDP in Stock

EDP No.	Catalog No.	Prop Dia.	HP	Fan RPM	Capacity (CFM) @ "SP In. W.G.				Max. Sones @ 5'	Approx. Ship Wt.	List Price
					0"	1/10"	1/8"	1/4"			
◀ 24260	PD24T-E8A	24"	1/4	825	4610	4110	4020	2550	11.6	70	\$1,760
◀ 24270	PD30T-G8	30"	1/2	845	7380	6850	6750	5500	16.7	70	\$1,889
◀ 24280	PD36R-G8	36"	1/2	840	8664	7814	7545	5916	20.5	95	\$2,206

For supply duty add "S" prefix to EDP Number and use list price divided by 0.80. Supply Duty fans are custom orders and are non-cancelable, non returnable once in production.

PD24T-E3A not available as Supply Duty.

For \*, see Controls below.

### RECOMMENDED OPTIONAL ACCESSORIES (EDP Numbers in Parenthesis)

Prop Dia.	Exhaust Shutter			WS Wall Collar			WC Supply Shutter			Safety Guards Prop Side (Front)			Safety Guards Motor Side (Rear)		
	Part No.	Price	Code	Part No.	Price	Code	Part No.	Price	Code	Part No.	Price	Code	Part No.	Price	Code
18"	EASRMF20 (22974)	\$140		WS18 (06894)	\$342		WC18 (22631)	\$221		18FG (23670)	11#	\$310	INCLUDED	-	-
24"	EASRMF26 (22975)	\$181		WS24 (06887)	\$362		WC24 (22641)	\$276		24FG (23675)	15#	\$342	INCLUDED	-	-
30"	EASRMF32 (22976)	\$221		WS30 (06888)	\$546		WC30 (22651)	\$389		30FG (23680)	19#	\$374	30RG (23625)	37#	\$482
36"	EASRMF38 (22977)	\$320		WS36 (06889)	\$581		WC36 (22661)	\$515		36FG (23685)	27#	\$458	36RG (23630)	64#	\$788

See page 58 for prop side (front) & motor side (rear) guard dimensions. See page 56 for EASR and WC shutter selection/installation information, ship weights and cautions.

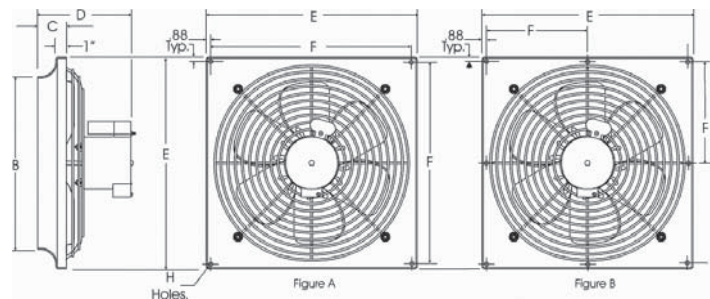
**NOTE:** When an EASR or WC shutter is used for exhaust or supply and mounted remote from the fan, a WS Wall Collar is not needed. The shutter is installed directly on the wall and a Motor Actuator Kit must be utilized.

**NOTE:** On 18" and 24" sizes, motor is guard mounted.

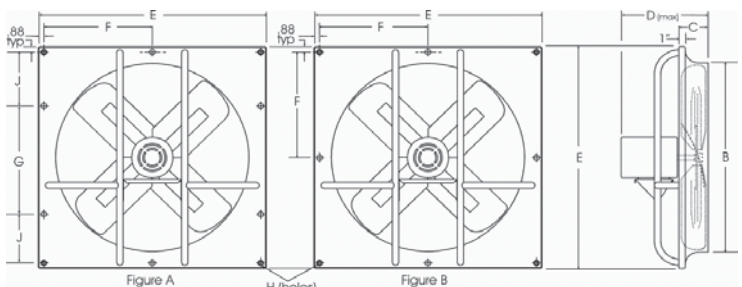
### DIMENSIONS FOR PD (IN.)

Size	18"	24"	30"	36"
See Fig.	A	B	A	B
A (Dia.)	18	24	30	36
B	18 1/2	24 1/2	30 1/2	36 1/2
C	3	3 1/2	4-5/8	4 3/4
D	9-3/8	15 1/2	13 3/4	12 1/4
E	24	30	36	42
F	22 1/4	14-1/8	17-1/8	20-1/8
G				18 1/4
J				11
H (Dia.)	.38	.62	.62	.62
HOLES	4	8	8	10

PD 18" & 24" Illustration A



PD 30" & 36" Illustration B







## Direct Drive Fans

### Low Pressure Industrial Duty

#### MODEL PD

For Motorized Shutters Add Motor Kit

#### EASR Exhaust Motor Kit - For 9" to 36" Wall Louver

EDP No.	Catalog No.	List Price
22982	MTR-556 SP	\$261

#### WC Supply Duty Motor Kit - For 9" - 36" Supply Shutters

EDP No.	Catalog No.	Volt	List Price
22900	MK5047-B	120/240V, 9"-36" Sizes	\$268
22905	MK5047-C	440V, 9"-36" Sizes	\$268

Specify voltage needed when ordering..

#### Controls

EDP No.	Catalog No.	Model	Item	List Price
24852	Switch	-	*Two Speed Switch for Fan Only	\$60
85388	Switch	-	*Two Speed Switch for Fan & Supply Shutter	\$49
24820	T-1	T-1	Thermostat (115V only)	\$266

#### Manual Chain Operator - 1 Panel Exhaust Shutter (For 10" to 36")

EDP No.	Catalog No.	List Price
80111	Manual Chain Operator	\$206

## High Pressure High Velocity MODELS HV & HVEX



### 1 Year Warranty - FEATURES

- Fully Assembled - Ready to Install
- Totally Enclosed & Explosion Proof Motors
- Full Range of Accessories



### Fans With Totally Enclosed Motors

◀ = EDP in Stock

EDP No.	Catalog No.	Prop Dia.	Motor HP	RPM	0" SP CFM	1/8" SP CFM	1/4" SP CFM	3/8" SP CFM	1/2" SP CFM	Max. Sones @ 5'	Volts	PH	Ship Wt.	List Price
◀ 25300	H12V76-1	12"	1/6	1750	1480	1360	1220	886	734	10.7	115/230	1	28	\$1,229
◀ 25305	H16V76-1	16"	1/2	1750	2700	2590	2390	2100	1740	18.5	115/230	1	44	\$1,497
25310	H16V836-1	16"	1/2	1750	2700	2590	2390	2100	1740	18.5	230/460	3	39	\$1,441
25315	H18V76-1	18"	1/2	1750	3900	3780	3575	3280	2880	23.0	115/230	1	46	\$1,607
◀ 25320	H18V836-1	18"	1/2	1750	3900	3780	3575	3280	2880	23.0	230/460	3	42	\$1,560
◀ 25335	H24V76-2	24"	1	1750	6860	6560	6240	5900	5426	35.4	115/230	1	88	\$2,079
◀ 25340	H24V836-2	24"	1	1750	6860	6560	6240	5900	5426	35.4	230/460	3	79	\$1,860
25355	H30V76-1	30"	1	1150	9470	8750	8030	7100	5900	29.0	115/230	1	51	\$3,842
25360	H30V836-1	30"	1	1150	9470	8750	8030	7100	5900	29.0	230/460	3	118	\$2,413
◀ 25365	H30V836-3	30"	3	1750	14400	13900	13450	13000	12500	60.1	230/460	3	130	\$2,631
25385	H36V836-3	36"	1-1/2	1150	13300	12400	11600	10600		37.1	230/460	3	203	\$2,856
◀ 25390	H36V836-1	36"	3	1750	16890	16179	15504	14816	14125	80.1	230/460	3	205	\$2,875
◀ 25395	H36V836-2	36"	5	1750	20300	19650	19100	18600	17950	76.5	230/460	3	225	\$3,274
25415	H42V836-3	42"	1-1/2	1150	15789	15044	14059	13020	11690	51.8	230/460	3	240	\$3,740
25420	H42V836-1	42"	3	1150	22100	21300	20500	19650	18650	51.3	230/460	3	295	\$4,469
◀ 25425	H42V836-2	42"	5	1150	26640	25968	25250	24350	23250	62.3	230/460	3	320	\$4,710
25445	H48V836-3	48"	3	850	27420	25800	24350	22600		40.7	230/460	3	315	\$6,392
◀ 25450	H48V836-2	48"	7-1/2	1150	37100	35800	34700	33600	32450	70.2	230/460	3	360	\$6,854

### Fans With Explosion Proof Motors

EDP No.	Catalog No.	Prop Dia.	Motor HP	RPM	0" SP CFM	1/8" SP CFM	1/4" SP CFM	3/8" SP CFM	1/2" SP CFM	Max. Sones @ 5'	Volts	PH	Ship Wt.	List Price
25325	H18VEX76-1	18"	1/2	1750	3990	3780	3480	3020	2250	23.0	115/230	1	55	\$2,087
25330	H18V3EX836-1	18"	1/2	1750	3990	3780	3480	3020	2250	23.0	230/460	3	49	\$2,340
25345	H24VEX76-2	24"	1	1750	7820	7690	7450	7070	6450	35.4	115/230	1	47	\$2,577
25350	H24VEX836-2	24"	1	1750	7820	7690	7450	7070	6450	35.4	230/460	3	118	\$2,691
25370	H30VEX76-1	30"	1	1150	10440	9750	8750	7640	6000	29.0	115/230	1	110	\$6,068
25375	H30VEX836-1	30"	1	1150	10440	9750	8750	7640	6000	29.0	230/460	3	118	\$4,822
25380	H30VEX836-3	30"	3	1750	16000	15350	14700	13850	12900	60.1	230/460	3	202	\$4,862
25400	H36VEX836-3	36"	1-1/2	1150	17620	16500	15200	13620	12300	37.1	230/460	3	203	\$5,071
25405	H36VEX836-1	36"	3	1750	18500	17700	15700	15100	13900	80.1	230/460	3	205	\$5,104
25410	H36VEX836-2	36"	5	1750	23000	22150	21100	20200	19000	76.5	230/460	3	225	\$6,142
25435	H42VEX836-1	42"	3	1150	24500	23150	23000	22000	19650	51.3	230/460	3	275	\$6,789
25440	H42VEX836-2	42"	5	1150	28970	27960	26840	25700	24200	62.3	230/460	3	320	\$7,626
25460	H48VEX836-2	48"	7-1/2	1150	37000	35000	32800	30600	28000	70.2	230/460	3	360	\$9,758

Air Delivery Based on Standard Test Codes of AMCA.

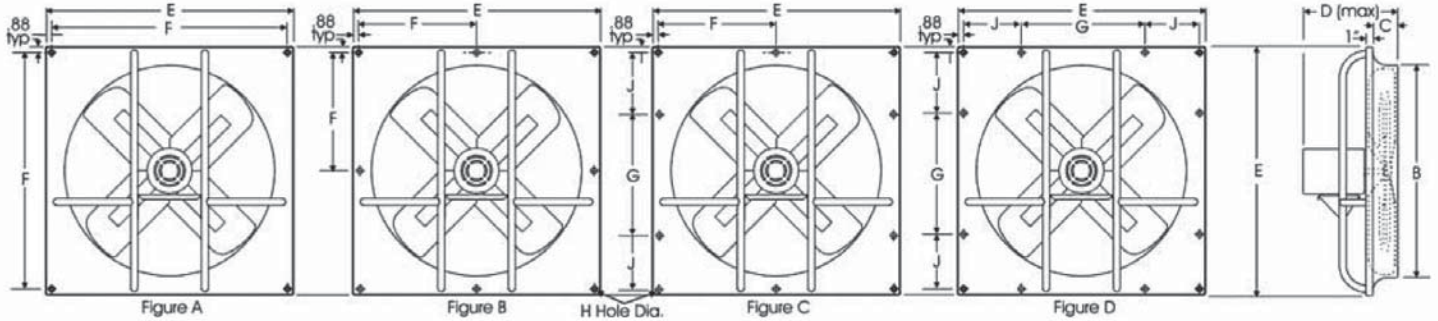
Explosion Proof motors are Class I, Group D and Class II, Groups F and G. UL listed. Propellers on Explosion Proof Models have spark resistant aluminum blades. See page 3 for further Explosion Proof Motor information. Shutters and Motor Kits are not Explosion Proof. Do not use speed control with HVEX fans.

† WRHD Heavy Duty Shutter to be used with 5 and 7-1/2 HP fans.

## Direct Drive Fans

### High Pressure High Velocity MODELS HV & HVEX

Fans With Explosion Proof Motors



#### DIMENSIONS (Inches)

See Fig.	FAN Size A	B	C	D		E	F	G	J	H (Dia.)	No. Holes
				1 Phase (Max)	3 Phase (Max)						
A	12"	12.25	1.25	10		16	14.25		-	.38	4
A	16"	16.5	1.75	12	12.25	22	18.25		-	.38	4
A	18"	18.5	1.75	10	10	24	22.25		-	.38	4
B	24"	24.5	2.50	12	12.25	30	14.12		-	.62	8
B	30"	30.5	3.00	15	14.75	36	17.12		-	.62	8
C	36"	36.5	3.25	15	15.75	42	21.12	20.25	10	.62	10
D	42"	42.5	3.25		20.00	48	---	20.25	13	.62	12
D	48"	48.5	3.25		22.50	54	---	20.25	16	.62	12

#### NOTES:

For Supply Duty, add "S" prefix to EDP Number and use list price divided by 0.80. Supply Duty fans are custom orders and are non-cancelable, non returnable once in production.

Explosion Proof Motors are Class I, Group D and Class II, Groups F and G. UL Listed Propellers on Explosion Proof Models have spark resistant aluminum blades. See page 3 for further Explosion Proof Motor information.

If Supply Shutter is remote from fan, it must be motorized. Shutters and Motor Kits are not Explosion Proof.

## HV & HVEX Accessories



### Recommended Optional Accessories For Fans With Totally Enclosed Motors & Explosion Proof Motors

#### EASR Exhaust Shutter

EDP No.	Catalog No.	List Price
22971	EASR-MF-12"	\$84
22973	EASR-MF-18"	\$127
22974	EASR-MF-20"	\$140
22975	EASR-MF-26"	\$181
22976	EASR-MF-32"	\$221
22977	EASR-MF-38"	\$320
22978	EASR-MF-44"	\$373
22979**	EASR-MF-50"	\$435
22747†	WRHD48	\$1,204

#### WS Wall Collar

EDP No.	Catalog No.	List Price
06884	WS12	\$277
06886	WS18E	\$365
06894	WS18	\$342
06887	WS24	\$362
06888	WS30	\$546
06889	WS36	\$581
06890	WS42	\$671
06891	WS48	\$776

#### WC Supply Shutter\*

EDP No.	Catalog No.	List Price
22755	WC10	\$176
22621	WC16	\$186
22631	WC18	\$221
22641	WC24	\$276
22651	WC30	\$389
22661	WC36	\$515
22671	WC42	\$725
22681	WC48	\$870

#### Safety Guard Prop Side (Front)

EDP No.	Catalog No.	Wt.	List Price
23660	12FG	7	\$257
23665	16FG	11	\$273
23670	18FG	11	\$310
23675	24FG	15	\$342
23680	30FG	19	\$374
23685	36FG	27	\$458
23690	42FG	34	\$543
23695	48FG	40	\$593

#### NOTES:

Do not use Shutter Motor Kits with Explosion Proof Motors. WS Wall Collars are shipped knocked down. WC Supply Shutters are not weather resistant. It is recommended that the WC be used with a weatherhood. 48" & 54" Shutters - Double Panel Type; 60" - 3 Panel Type; 24" - 48" Weatherhoods Available. See page 57 for WS Collar Dimensions.

#### Safety Guard Motor Side (Rear)

EDP No.	Catalog No.	Wt.	List Price
23605	12RG	15	\$298
23610	16RG	21	\$374
23615	18RG	23	\$426
23620	24RG	28	\$450
23625	30RG	37	\$482
23630	36RG	64	\$788
23635	42RG	75	\$1,010
23640	48RG	85	\$1,232

NOTE: When an EASR-MF or WC shutter is used for exhaust or supply and mounted remote from the fan, a WS Wall Collar is not needed. The shutter is installed directly on the wall and a Motor Actuator Kit must be utilized. EASR-MF -44 and EASR-MF-50 are two panel construction. See page 58 for prop side (front) and motor side (rear) guard dimensions. See below for Motor Kits for motorized wall louvers.

#### Optional Weatherhoods

EDP No.	Catalog No.	List Price
99915	WH24	\$930
99916	WH30	\$1,159
99917	WH36	\$1,434
99921	WH42	\$1,674
99923	WH48	\$1,846

See page 58 for Weatherhood Dimensions

#### For Motorized Wall Shutters Add Motor Kit\*

##### Exhaust Motor Kits

EDP No.	Catalog No.	Description	List Price
22982	MTR-556 SP	120/240 Volt, for 10 in sq - 32 in sq exh shutters	\$261
22983	MTR-556 DP	120/240 Volt, for 36 in sq - 48 in sq exh shutters	\$280
22984	MTR-885 DP	120/240 Volt, for 56 in sq - 62 in sq exh shutters*	\$379

Please specify voltage needed when ordering.

Units are for single phase operation.

##### Exhaust shutter Manual chain operators

EDP No.	Catalog No.	Description	List Price
80111	Manual Chain Operator	For EASR 1 Panel Shutter	\$206
80112	Manual Chain Operator	For EASR 2 Panel Shutters	\$468

##### Supply Motor Kits

EDP No.	Catalog No.	Description	List Price
22900	MK5047-B	120/240 Volt, for 9" - 36" supply shutters	\$268
22905	MK5047-C	440 Volt, for 9" - 36" supply shutters	\$268
22908	MK5047-E	550 Volt, for 9" - 36" supply shutters	\$268
22910	MK-4782-F	120/240 Volt, for 42" - 54" supply shutters	\$303
22915	MK-4782-C	440 Volt, for 42" - 54" supply shutters	\$303
22918	MK-4782-E	550 Volt, for 42" - 54" supply shutters	\$303

Please specify voltage needed when ordering.

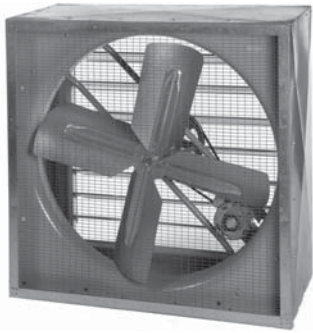
All units are for single phase operation.

\*\* 60" supply shutter requires (1) one MK-5047 and (1) one MK-4782 motor kits.\*\*

See page 55 for Heavy Duty Shutters.

See page 56 for EASR and WC shutter selection/installation information, ship weights and cautions.

## Belt Drive Cabinet Fan with Auto Shutters



**115V, 115/230V & 230/460V**

**MODEL CWF**

**1 Year Warranty - Fully Assembled for Quick Installation**

**FEATURES**

- Heavy Gauge Galvanized Steel Housing
- Aluminum Shutters, Inlet Guard, Ball Bearing Motor
- 115V, 115/230V 1 Phase & 230/460V 3 Phase Motors



**PERFORMANCE 115V, 115/230V & 230/460V**

Prop Dia.	Cabinet Size	0" SP CFM	1/8" SP CFM	1/4" SP CFM	RPM
30"	36 1/2" x 19" W or 25" W	6066	3370	2714	574
36"	42 1/2" x 19" W or 25" W	8143	4044	2814	415
42"	48 1/2" x 19" W or 25" W	11039	5950	5397	413
48"	54 1/2" x 19" W or 25" W	14970	10509	7084	372

◀ = EDP in Stock

**ODP\* 115V**

EDP No.	Catalog No.	Prop Dia.	Cabinet Size			HP	PH	Max. Sones @ 5'	Ship Wt.	List Price
			A	B	C					
◀ 39220	CWF-30-2A	30"	36 1/2"	36 1/2"	19"	1/2 (ODP)	1	10.99	139	\$2,436
◀ 39230	CWF-36-2A	36"	42 1/2"	42 1/2"	19" 1/2	1/2 (ODP)	1	9.5	150	\$2,729
◀ 39240	CWF-42-3A	42"	48 1/2"	48 1/2"	19" 3/4	3/4 (ODP)	1	12.6	275	\$4,406
◀ 39250	CWF-48-4A	48"	54 1/2"	54 1/2"	19"	1 (ODP)	1	12.5	310	\$4,772

**TEFC\* 115/230V**

EDP No.	Catalog No.	Prop Dia.	Cabinet Size			HP	PH	Max. Sones @ 5'	Ship Wt.	List Price
			A	B	C					
39236	CWF-36-3AS1E	36"	42 1/2"	42 1/2"	25"	3/4 (TEFC)	1	9.5	177	\$3,818
39257	CWF-48-4A1E	48"	54 1/2"	54 1/2"	25"	1 (TEFC)	1	12.5	341	\$4,828

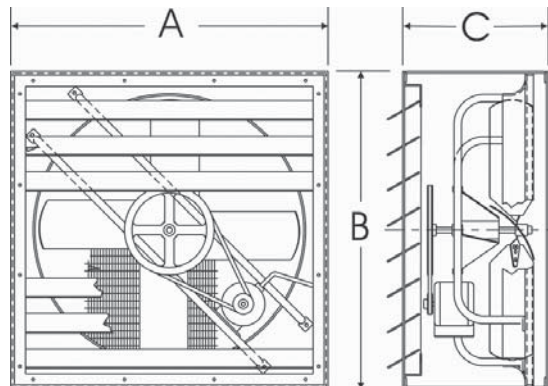
**TEFC\* 230/460V**

EDP No.	Catalog No.	Prop Dia.	Cabinet Size			HP	PH	Max. Sones @ 5'	Ship Wt.	List Price
			A	B	C					
39223	CWF-30-2A3E	30"	36 1/2"	36 1/2"	25"	1/2 (TEFC)	3	10.9	153	\$3,406
39237	CWF-36-2A3E	36"	42 1/2"	42 1/2"	25"	1/2 (TEFC)	3	9.5	181	\$3,605
39247	CWF-42-3A3E	42"	48 1/2"	48 1/2"	25"	3/4 (TEFC)	3	12.6	297	\$4,512
39255	CWF-48-4A3E	48"	54 1/2"	54 1/2"	25"	1 (TEFC)	3	12.5	341	\$5,052

**EXP\* 115/230V**

EDP Number	Catalog No.	Prop Dia.	Cabinet Size			HP	PH	Max. Sones @ 5'	Ship Wt.	List Price
			A	B	C					
39225	CWF-30-2A1X	30"	36 1/2"	36 1/2"	25"	1/2 (EXP)	1	10.9	168	\$4,016
39234	CWF-36-2A1X	36"	42 1/2"	42 1/2"	25"	1/2 (EXP)	1	9.5	181	\$4,688
39241	CWF-42-3A1X	42"	48 1/2"	48 1/2"	25"	3/4 (EXP)	1	12.6	317	\$5,691
39246	CWF-48-4A1X	48"	54 1/2"	54 1/2"	25"	1 (EXP)	1	12.5	353	\$6,221

\*ODP = Open Drip Proof Motor, TEFC = Totally Enclosed, Fan Cooled Motor, EXP = Explosion Proof Motor, Class I, Group D; Class II, Groups F & G. See page 3 for further Explosion Proof Motor information.



### 115V, 230/460V

#### MODEL PB



#### 1 Year Warranty - FEATURES

- Economy Wall Exhaust Fan
- Completely Assembled - Ready to Install
- Available for Exhaust or Supply



#### Fans With Motor And Drive Shipped Mounted 1/3 & 1/2 HP 2 Speed ODP, 1 Phase 115V

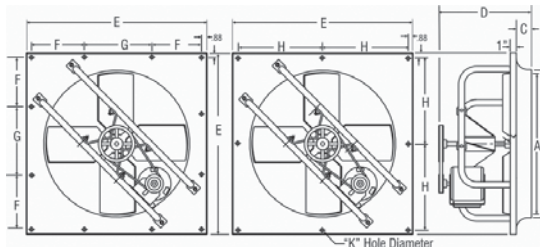
◀ = EDP in Stock

EDP No.	Catalog No.	Prop Dia.	HP	Fan RPM	Capacity (CFM) @ "SP			Max Sones @ 5'	Ship Wt.	List Price
					0"	1/8"				
25602	PB24RA-F1A	24"	1/3	710	4973	3862	10.21	53	\$1,342	
25612	PB24RA-G1A	24"	1/2	850	5953	5001	14.2	55	\$1,399	
25622	PB30RA-F1A	30"	1/3	510	7012	5163	9.0	60	\$1,395	
25632	PB30RA-G1A	30"	1/2	600	8249	6720	11.7	64	\$1,422	
25652	PB36RA-F1A	36"	1/3	375	9048	6980	8.5	69	\$1,627	
25662	PB36RA-G1A	36"	1/2	440	10616	8120	11.5	72	\$1,649	
25682	PB42RA-F1A	42"	1/3	340	10808	6812	8.4	97	\$2,246	
25692	PB42RA-G1A	42"	1/2	386	12271	9304	10.8	100	\$2,263	
25702	PB42RA-H3A	42"	3/4	445	14146	11672	14.0	109	\$2,489	
25712	PB42RA-I3A	42"	1	495	15736	13568	16.8	107	\$2,499	
25722	PB48RA-G1A	48"	1/2	320	14609	10154	10.1	110	\$2,407	
25732	PB48RA-H3A	48"	3/4	370	16891	13393	15.0	115	\$2,607	
25742	PB48RA-I3A	48"	1	406	18535	15457	16.8	125	\$2,586	

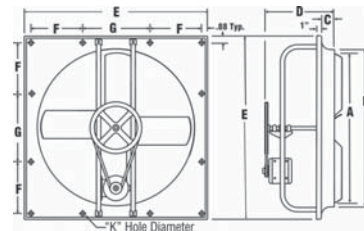
#### Single Speed ODP, 3 Phase 230/460V

EDP No.	Catalog No.	Prop Dia.	HP	Fan RPM	Capacity (CFM) @ "SP			Max Sones @ 5'	Ship Wt.	List Price
					0"	1/8"				
25811	PB24RA-G8A	24"	1/2	850	5953	5001	14.2	59	\$1,673	
25831	PB30RA-G8A	30"	1/2	600	8249	6720	11.7	59	\$1,679	
25861	PB36RA-G8A	36"	1/2	440	10616	8120	11.5	69	\$1,914	
25891	PB42RA-G8A	42"	1/2	386	12271	9304	10.8	98	\$2,548	
25911	PB42RA-I8A	42"	1	495	15736	13568	16.8	105	\$2,770	
25921	PB48RA-G8A	48"	1/2	320	14609	10154	10.1	112	\$2,695	
25941	PB48RA-I8A	48"	1	406	18535	15457	16.8	127	\$2,888	

PB24 to PB36



PB42 & PB48



#### APPROXIMATE DIMENSION (INCHES)

Prop Dia.	See Figure	A	B	C	D	E	F	G	H	K	No. Holes
24	2	24	24-1/2	2-1/2	17-7/8	30	-	-	14.12	.62	8
30	2	30	30-1/2	3.63	18-3/8	36	-	-	17.12	.62	8
36	3	36	36-1/2	3.5	18-5/8	42	10	20.25	-	.62	12
42	1	42	42-1/2	3.25	24-3/4	48	13	20.25	-	.62	12
48	1	48	48-1/2	3.25	24-3/4	54	16	20.25	-	.62	12

**NOTES:** For Supply Duty, add "S" prefix to EDP Number and use list price divided by 0.80. Supply Duty fans are custom orders and are Non-cancelable, non returnable once in production.

If used for Supply, a Motor Actuator Kit must be utilized with shutter.

## Low Pressure Belt Drive Exhaust Fans

### PB Accessories



#### Wall Shutters Exhaust - Automatic

EDP No.	Catalog No.	List Price
22975	EASR-MF-26"	\$181
22976	EASR-MF-32"	\$221
22977	EASR-MF-38"	\$320
22978	EASR-MF-44"	\$373
22979	EASR-MF-50"	\$435

#### Supply - Automatic

EDP No.	Catalog No.	List Price
22641	WC24	\$276
22651	WC30	\$389
22661	WC36	\$515
22671	WC42	\$725
22681	WC48	\$870



#### Safety Guard Prop Side (Front)

EDP No.	Catalog No.	List Price
23675	24FG	\$342
23680	30FG	\$374
23685	36FG	\$458
23690	42FG	\$543
23695	48FG	\$593

#### Safety Guard Motor Side (Rear)



EDP No.	Catalog No.	List Price
23620	24RG	\$450
23625	30RG	\$482
23630	36RG	\$788
23635	42RG	\$1,010
23640	48RG	\$1,232



#### Wall Collar

EDP No.	Catalog No.	List Price
06887	WS24	\$362
06888	WS30	\$546
06889	WS36	\$581
06890	WS42	\$671
06891	WS48	\$776

WC Supply Shutters are not weather resistant. It is recommended that the WC be used with a weatherhood.

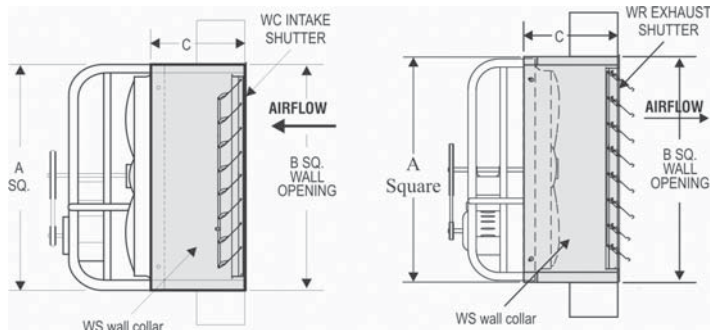
See page 56 for EASR and WC shutter selection/installation information, ship weights and cautions.

See page 58 for safety prop side (front) and motor side (rear) guard dimensions.

**NOTE:** When an EASR or WC shutter is used for exhaust or supply and mounted remote from the fan, a WS Wall Collar is not needed. The shutter is installed directly on the wall and a Motor Actuator Kit must be utilized.

#### WALL COLLAR DIMENSIONS

Size	A Sq.	B Sq.	C
24"	30	31	14
30"	36	37	14 1/2
36"	42	43	17
42"	48	49	19
48"	54	55	21



#### Typical Wall Collar Installations

#### Optional Weatherhoods

EDP No.	Catalog No.	List Price
99915	WH24 24"	\$930
99916	WH30 30"	\$1,159
99917	WH36 36"	\$1,434
99921	WH42 42"	\$1,674
99923	WH48 48"	\$1,846

See page 58 for Weatherhood Dimensions.

#### Supply Motor Kits

EDP No.	Catalog No.	Description	List Price
22900	MK5047-B	120/240 Volt, for 9" - 36" supply shutters	\$268
22905	MK5047-C	440 Volt, for 9" - 36" supply shutters	\$268
22908	MK5047-E	550 Volt, for 9" - 36" supply shutters	\$268
22910	MK-4782-F	120/240 Volt, for 42" - 54" supply shutters	\$303
22915	MK-4782-C	440 Volt, for 42" - 54" supply shutters	\$303
22918	MK-4782-E	550 Volt, for 42" - 54" supply shutters	\$303

## MODEL HA



MOTOR SIDE  
RG (REAR) SAFTY GAURD

**1 Year Warranty - Energy Efficient**

### FEATURES

- Available for Exhaust or Supply
- Epoxy Coated
- Precision Balanced Propellers
- Quiet



Catalog No.	Prop Dia.	HP	Fan RPM	Max BHP	0" SP CFM	1/8" SP CFM	1/4" SP CFM	3/8" SP CFM	1/2" SP CFM	Max Sones @5'	Ship Wt
HA24CA	24"	1/4	746	0.28	4398	3745				12.4	70
HA24DA	24"	1/3	805	0.37	4746	4210	2885			12.9	80
HA24FA	24"	1/2	980	0.64	5778	5409	4617			18.4	85
HA24HA	24"	3/4	1080	0.86	6367	6049	5502	4428		22.6	92
HA24JA	24"	1	1180	1.14	6957	6674	6257	5453	4462	26.3	111
HA24KA	24"	1-1/2	1340	1.63	7900	7658	7349	6867	6067	34.0	121
HA30DA	30"	1/3	530	0.36	6518	4821	2608			8.8	98
HA30FA	30"	1/2	640	0.55	7871	6735	4669			12.8	103
HA30HA	30"	3/4	730	0.85	8978	8080	6439	4690		19.3	108
HA30JA	30"	1	820	1.14	10085	9333	8114	6425		20.8	127
HA30KA	30"	1-1/2	930	1.67	11438	10804	9913	8579	7089	28.2	136
HA36FA	36"	1/2	561	0.56	9720	8211	5602			14.0	122
HA36HA	36"	3/4	650	0.83	11262	10143	7951			18.1	128
HA36JA	36"	1	720	1.10	12475	11533	9805			21.8	148
HA36KA	36"	1-1/2	820	1.65	14207	13429	12223	10377		26.3	157
HA36MA	36"	2	890	2.15	15420	14721	13739	12219	10464	30.3	172
HA42FA	42"	1/2	410	0.58	12797	9882				12.0	169
HA42HA	42"	3/4	453	0.83	14139	11686	7833			14.4	170
HA42JA	42"	1	500	1.08	15606	13517	10254			17.1	215
HA42KA	42"	1-1/2	583	1.66	18197	16533	14113			21.1	225
HA42MA	42"	2	635	2.20	19820	18339	16298	13666		24.8	235
HA42OA	42"	3	725	3.28	22629	21378	19787	17760	15381	31.8	255
HA48HA	48"	3/4	395	0.86	17392	14182				15.9	223
HA48JA	48"	1	420	1.13	18493	15544	10953			16.6	225
HA48KA	48"	1-1/2	485	1.67	21335	18883	15665			23.4	230
HA48MA	48"	2	535	2.31	23556	20848	18132	14264		26.1	245
HA48OA	48"	3	610	3.43	26858	24896	22832	20205		35.5	265
HA48PA	48"	5	690	4.79	30381	28610	26909	24888	22419	53.9	285
HA54JA	54"	1	301	1.11	21524	17049	8814			12.6	310
HA54KA	54"	1-1/2	353	1.65	25243	21902	15939			16.2	313
HA54MA	54"	2	383	2.20	27388	24450	19521	12944		18.7	320
HA54OA	54"	3	437	3.31	31250	28802	25241	20099	14178	23.4	370
HA54PA	54"	5	527	5.50	37686	35717	33353	30099	25907	31.8	385
HA54QA	54"	7-1/2	600	8.13	42906	41174	39308	36935	33896	41.4	455
HA60KA	60"	1-1/2	295	1.64	28923	24368	16985			22.1	395
HA60MA	60"	2	328	2.20	32158	28269	22401			26.1	400
HA60OA	60"	3	373	3.29	36570	33294	28826	22824		30.3	450
HA60PA	60"	5	447	5.50	43825	41170	38024	33975		44.3	465
HA60QA	60"	7-1/2	510	8.18	50002	47680	45165	42090	38385	57.2	535
HA60RA	60"	10	570	11.31	55885	53786	51667	49180	46262	68.5	555

See Page 55 For EDP# And List Price

### NOTES:

If Motor & Drive to be shipped separately: Use above EDP Numbers and add "K" suffix. Example: 42500K

Fans ordered with Explosion Proof Motors will always be shipped mounted. Consult factory for Two Speed Motors, Explosion Proof Motors, Motors requiring Thermal Overload Protection, Dual Belt and Variable Pitch Drives & Cost of Epoxy Coating on Props.

For Supply Duty, add "S" prefix to EDP Number and use list price divided by 0.80. Supply Duty fans are custom orders and are non-cancelable, non returnable once in production.





## High Pressure Belt Drive Fans

### MODEL HA

Single Speed, Open Drip Proof

1 Phase, 115V

Fans With Motor And Drive Shipped Mounted

EDP No.	Catalog No.	List Price
42500	HA24CA	\$1,650
42509	HA24DA	\$1,682

1 Phase, 115/230V

EDP No.	Catalog No.	List Price
42530	HA24FA	\$1,947
42545	HA24HA	\$1,996
42563	HA24JA	\$1,938
42575	HA24KA	\$2,225
42605	HA30FA	\$2,151
42624	HA30HA	\$2,154
42639	HA30JA	\$2,214
42657	HA30KA	\$2,540
42672	HA36FA	\$2,309
42684	HA36HA	\$2,347
42702	HA36JA	\$2,410
42717	HA36KA	\$2,711
42756	HA42FA	\$2,805
42768	HA42HA	\$2,741
42780	HA42JA	\$2,816
42798	HA42KA	\$3,265
42828	HA48HA	\$3,201
42840	HA48JA	\$3,058
42855	HA48KA	\$3,608
42909	HA54JA	\$4,610
42921	HA54KA	\$4,867
42963	HA60KA	\$5,325

3 Phase, 230/460V

EDP No.	Catalog No.	List Price
42503	HA24CA	\$1,741
42512	HA24DA	\$1,836
42533	HA24FA	\$1,886
42548	HA24HA	\$1,889
42566	HA24JA	\$1,862
42581	HA24KA	\$2,052
42593	HA30DA	\$1,974
42608	HA30FA	\$2,090
42627	HA30HA	\$2,091
42642	HA30JA	\$2,130
42663	HA30KA	\$2,240
42675	HA36FA	\$2,248
42687	HA36HA	\$2,282
42705	HA36JA	\$2,325
42720	HA36KA	\$2,365
42744	HA36MA	\$2,509
42759	HA42FA	\$2,768
42771	HA42HA	\$2,670
42783	HA42JA	\$2,832
42801	HA42KA	\$2,871
42813	HA42MA	\$2,999
42822	HA42OA	\$3,295
42831	HA48HA	\$3,091
42843	HA48JA	\$3,048
42858	HA48KA	\$3,282
42870	HA48MA	\$3,218
42882	HA48OA	\$3,467

42900	HA48PA	\$3,645
42912	HA54JA	\$4,511
42924	HA54KA	\$4,463
42933	HA54MA	\$4,649
42939	HA54OA	\$4,684
42945	HA54PA	\$5,118
42957	HA54QA	\$6,544
42966	HA60KA	\$4,983
42975	HA60MA	\$5,020
42984	HA60OA	\$5,047
42996	HA60PA	\$5,482
43011	HA60QA	\$7,028
43020	HA60RA	\$7,085

Single Speed, Totally Enclosed

1 Phase, 115/230V

◀ = EDP in Stock

EDP No.	Catalog No.	List Price
42518	HA24DA	\$1,937
42539	HA24FA	\$2,055
42554	HA24HA	\$2,075
◀ 42569	HA24JA	\$2,053
42584	HA24KA	\$2,600
42596	HA30DA	\$2,145
42618	HA30FA	\$2,170
42630	HA30HA	\$2,289
◀ 42648	HA30JA	\$2,325
42666	HA30KA	\$2,305
42678	HA36FA	\$2,426
42696	HA36HA	\$2,384
◀ 42708	HA36JA	\$2,517
◀ 42732	HA36KA	\$2,463
42762	HA42FA	\$2,919
42774	HA42HA	\$2,785
42786	HA42JA	\$3,028
42807	HA42KA	\$3,163
42834	HA48HA	\$3,285
42846	HA48JA	\$3,321
42861	HA48KA	\$3,420
42915	HA54JA	\$4,738
42927	HA54KA	\$4,917
42969	HA60KA	\$5,252

Power ratings (BHP) do not include drive losses. Performance shown is for installation Type A: Free Inlet, Free Outlet. Performance ratings do not include the effects of appurtenances in the airstream.

Fans Less Motor & Drive

EDP No.	Catalog No.	List Price
95100	HA24	\$1,149
95104	HA30	\$1,339
95108	HA36	\$1,532
95112	HA42	\$2,012
95116	HA48	\$2,265
95120	HA54	\$3,351
95124	HA60	\$3,574

WR Heavy Duty Exhaust Shutters

EDP No.	Catalog No.	Shutter Size	Number of Panels	Motor Kit (# Required for WRHD)	List Price
22747	WRHD48	50" x 50"	2	MK-4621 (1)	\$1,204
22748	WRHD54	56" x 56"	2	MK-4621 (1)	\$1,710
22749	WRHD60	62" x 62"	3	MK-4620 & MK-4621	\$1,875

## MODEL HA And Accessories



**1 Year Warranty - Single Speed, Totally Enclosed**  
**3 Phase, 230/460V** ← EDP in Stock

EDP No.	Catalog No.	HA Model	# List Price
42506	HA24CA	HA24CA	\$1,867
42521	HA24DA	HA24DA	\$1,842
42542	HA24FA	HA24FA	\$1,950
← 42557	HA24HA	HA24HA	\$2,003
42572	HA24JA	HA24JA	\$1,921
42587	HA24KA	HA24KA	\$2,202
42599	HA30DA	HA30DA	\$2,043
42621	HA30FA	HA30FA	\$2,145
42633	HA30HA	HA30HA	\$2,199
42651	HA30JA	HA30JA	\$2,237
42669	HA30KA	HA30KA	\$2,219
42681	HA36FA	HA36FA	\$2,347
42699	HA36HA	HA36HA	\$2,293
← 42711	HA36JA	HA36JA	\$2,426
← 42735	HA36KA	HA36KA	\$2,517
42753	HA36MA	HA36MA	\$2,549
42765	HA42FA	HA42FA	\$2,859
42777	HA42HA	HA42HA	\$2,887
42789	HA42JA	HA42JA	\$2,846
← 42810	HA42KA	HA42KA	\$3,026
42816	HA42MA	HA42MA	\$3,037
42825	HA42OA	HA42OA	\$3,509
42837	HA48HA	HA48HA	\$3,233
42849	HA48JA	HA48JA	\$3,247
42864	HA48KA	HA48KA	\$3,340
← 42876	HA48MA	HA48MA	\$3,341
← 42891	HA48OA	HA48OA	\$3,681
42903	HA48PA	HA48PA	\$4,140
42918	HA54JA	HA54JA	\$4,527
42930	HA54KA	HA54KA	\$4,639
42936	HA54MA	HA54MA	\$4,647
42942	HA54OA	HA54OA	\$4,854
← 42951	HA54PA	HA54PA	\$5,134
42960	HA54QA	HA54QA	\$5,847
42972	HA60KA	HA60KA	\$5,161
42981	HA60MA	HA60MA	\$5,069
42990	HA60OA	HA60OA	\$5,521
43005	HA60PA	HA60PA	\$5,725
← 43017	HA60QA	HA60QA	\$6,506
43026	HA60RA	HA60RA	\$8,104

## Wall Shutters

### Recommended Optional Accessories

EDP No.	Catalog No.	List Price
22975	EASR-MF-26"	\$181
22976	EASR-MF-32"	\$221
22977	EASR-MF-38"	\$320
22978	EASR-MF-44"	\$373
22979	EASR-MF-50"	\$435
22980	EASR-MF-56"	\$523
22748	WRHD54"	\$1,710
22981	EASR-MF-62"	\$584
22749	WRHD60"	\$1,875

See page 87 for Motor Kits

\*\*Motor kits for motorized wall louvers.

## Wall Collar

EDP No.	Catalog No.	List Price
06887	WS24	\$362
06888	WS30	\$546
06889	WS36	\$581
06890	WS42	\$671
06891	WS48	\$776
06892	WS54	\$1,276
06893	WS60	\$1,604

See page 58 for prop (front) and motor (rear) side guard dimensions.

**NOTE:** When an EASR or WC shutter is used for exhaust or supply and mounted remote from the fan, a WS Wall Collar is not needed.

The shutter is installed directly on the wall and a Motor Actuator Kit must be utilized.

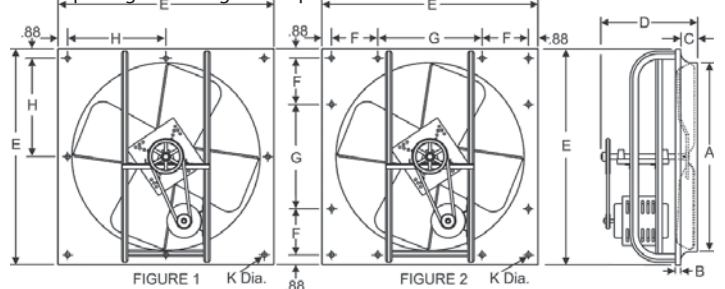
♦ Wall Collar and/or Guard shipped unassembled for ease of handling. WS Wall Collars are shipped knocked down. WC Supply Shutters are not weather resistant. It is recommended that the WC be used with a weatherhood.

For Weatherhood dimensions see page 58. EASR-MF44 – EASRMF56 are two panel construction EASR-MF62 is three panel.

## HA DIMENSIONS

Model	See Figure	A	B	C	D	E	G	H	K	No. Holes
HA24	1	24-7/16	1	2-1/2	15-3/16	30	-	14-1/8	5/8	8
HA30	1	30-1/2	1	2-5/8	18-5/8	36	-	17-1/8	5/8	8
HA36	1	36-1/2	1-1/2	3-1/4	19-1/8	42	-	20-1/8	5/8	8
HA42	2	42-1/2	2	3-1/4	23-3/4	48	18-1/4	-	5/8	12
HA48	2	48-1/2	2	3-1/4	24-7/8	54	18-1/4	-	5/8	12
HA54	2	54-1/2	2	3-1/4	23-7/16	60	18-1/4	-	5/8	12
HA60	2	60-1/2	2	3-1/4	23-7/16	66	18-1/4	-	5/8	12

Wall opening size is larger than panel size.



## NOTES:

If used for Intake, a Motor Actuator Kit must be utilized with shutter.

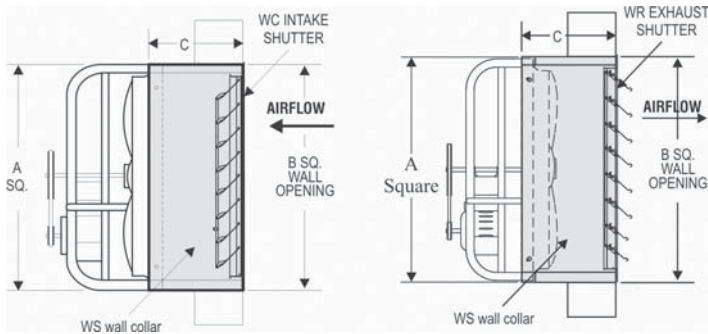
See page 56 for EASR and WC shutter selection/installation information, ship weights and cautions.

See page 53 for WRHD Heavy Duty Shutter information.

## High Pressure Belt Drive Fans

### MODEL HA And Accessories

#### Wall Collar



#### WALL COLLAR DIMENSIONS

Size	A Sq.	B Sq.	C
24"	30	31	14
30"	36	37	14 1/2
36"	42	43	17
42"	48	49	19
48"	54	55	21
54"	60	61	23
60"	66	67	25

#### Wall Shutters

##### Automatic Supply

EDP No.	Catalog No.	List Price
22641	WC24	\$276
22651	WC30	\$389
22661	WC36	\$515
22671	WC42	\$725
22681	WC48	\$870
22691	WC54	\$1,120
22701	WC60	\$1,385

See page 88 for Motor Kits

#### Safety Guards

##### Prop Side (Front)

EDP No.	Catalog No.	Ship Wt	List Price
23675	24FG	15	\$342
23680	30FG	19	\$374
23685	36FG	27	\$458
23690	42FG	34	\$543
23695	48FG	40	\$593
23700	54FG	75	\$697
23705	60FG	90	\$802

##### Motor Side (Rear)

EDP No.	Catalog No.	Ship Wt	List Price
23620	24RG	28	\$450
23625	30RG	37	\$482
23630	36RG	64	\$788
23635	42RG	75	\$1,010
23640	48RG	85	\$1,232
23645	54RG	92	\$1,410
23650	60RG	102	\$1,601

#### Weather Hoods

EDP No.	Catalog No.	Description	List Price
99915	WH24	Hood for 24" Unit	\$930
99916	WH30	Hood for 30" Unit	\$1,159
99917	WH36	Hood for 36" Unit	\$1,434
99921	WH42	Hood for 42" Unit	\$1,674
99923	WH48	Hood for 48" Unit	\$1,846
99918	WH54	Hood for 54" Unit	\$2,281
99919	WH60	Hood for 60" Unit	\$2,487

#### Supply Motor Kits

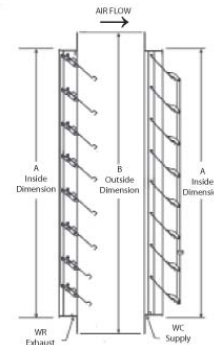
EDP No.	Catalog No.	Description	List Price
22900	MK5047-B	120/240 Volt, for 9" - 36" supply shutters	\$397
22905	MK5047-C	440 Volt, for 9" - 36" supply shutters	\$364
22908	MK5047-E	550 Volt, for 9" - 36" supply shutters	\$364
22910	MK-4782-F	20/240 Volt, for 42" - 54" supply shutters	\$637
22915	MK-4782-C	440 Volt, for 42" - 54" supply shutters	\$637
22918	MK-4782-E	550 Volt, for 42" - 54" supply shutters	\$612

### EASR & WC SHUTTERS Aluminum Exhaust & Supply Shutters



#### FEATURES

- Indoor / Outdoor, Wall / Ceiling Mounts
- Opens with Fan Pressure
- Gravity Closes When Fan is Turned Off



#### Exhaust

EDP No.	Catalog No.	For Fans Diameter	Type	Inside (A)	Outside (B)	Req. Open. (Sq. In.)	No. Holes 17/64" Dia.	Sections (Panels)	Ship Wt.	Motor Kits	List Price
22970	EASR-MF-10"	10"	EXHAUST	10" SQ.	13" SQ.	10 3/4"	8	1	3	MTR-556-SP	\$78
22971	EASR-MF-12"	10"	EXHAUST	12" SQ.	15" SQ.	12 3/4"	8	1	3	MTR-556-SP	\$84
22972	EASR-MF-14"	12"	EXHAUST	14" SQ.	17" SQ.	14 3/4"	8	1	4	MTR-556-SP	\$98
22973	EASR-MF-18"	16"	EXHAUST	18" SQ.	21" SQ.	18 3/4"	12	1	5	MTR-556-SP	\$127
22974	EASR-MF-20"	18"	EXHAUST	20" SQ.	23" SQ.	20 3/4"	12	1	5	MTR-556-SP	\$140
22975	EASR-MF-26"	24"	EXHAUST	26" SQ.	29" SQ.	26 3/4"	12	1	9	MTR-556 SP	\$181
22976	EASR-MF-32"	30"	EXHAUST	32" SQ.	35" SQ.	32 3/4"	16	1	12	MTR-556-SP	\$221
22977	EASR-MF-38"	36"	EXHAUST	38" SQ.	41" SQ.	38 3/4"	16	2	16	MTR-556-DP	\$320
22978	EASR-MF-44"	42"	EXHAUST	44" SQ.	47" SQ.	44 3/4"	20	2	20	MTR-556-DP	\$373
22979	EASR-MF-50"	48"	EXHAUST	50" SQ.	53" SQ.	50 3/4"	20	2	23	MTR-556-DP	\$435
22980	EASR-MF-56"	54"	EXHAUST	56" SQ.	59" SQ.	56 3/4"	24	2	27	MTR-556-DP	\$523
22981	EASR-MF-62"	60"	EXHAUST	62" SQ.	65" SQ.	62 3/4"	24	3	30	MTR-885-DP	\$584

#### Supply

EDP No.	Catalog No.	For Fans Diameter	Type	Inside (A)	Outside (B)	Req. Open. (Sq. In.)	No. Holes 17/64" Dia.	Sections (Panels)	Ship Wt.	Motor Kits	List Price
22754	WC9	10"	SUPPLY	11" SQ.	14" SQ.	11 3/4"	8	1	3	MK-5047	\$164
22755	WC10	10"	SUPPLY	12" SQ.	15" SQ.	12 3/4"	8	1	4	MK-5047	\$176
22611	WC12	12"	SUPPLY	14" SQ.	17" SQ.	14 3/4"	8	1	4	MK-5047	\$176
22621	WC16	16"	SUPPLY	18" SQ.	21" SQ.	18 3/4"	12	1	5	MK-5047	\$186
22631	WC18	18"	SUPPLY	20" SQ.	23" SQ.	20 3/4"	12	1	7	MK-5047	\$221
22641	WC24	24"	SUPPLY	26" SQ.	29" SQ.	26 3/4"	12	1	9	MK-5047	\$276
22651	WC30	30"	SUPPLY	32" SQ.	35" SQ.	32 3/4"	16	1	12	MK-5047	\$389
22661	WC36	36"	SUPPLY	38" SQ.	41" SQ.	38 3/4"	16	1	17	MK-5047	\$515
22671	WC42	42"	SUPPLY	44" SQ.	47" SQ.	44 3/4"	20	2	22	MK-4782	\$725
22681	WC48	48"	SUPPLY	50" SQ.	53" SQ.	50 3/4"	20	2	25	MK-4782	\$870
22691	WC54	54"	SUPPLY	56" SQ.	59" SQ.	56 3/4"	24	2	28	MK-4782	\$1,120
22701	WC60	60"	SUPPLY	62" SQ.	65" SQ.	62 3/4"	24	3	31	MK-4782 (1) and MK-5047 (1) Req.	\$1,385

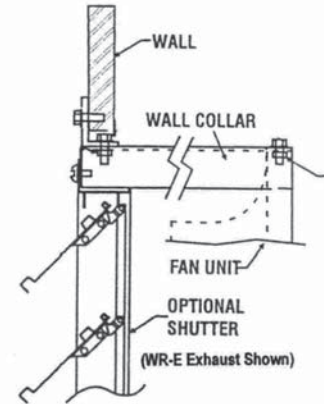
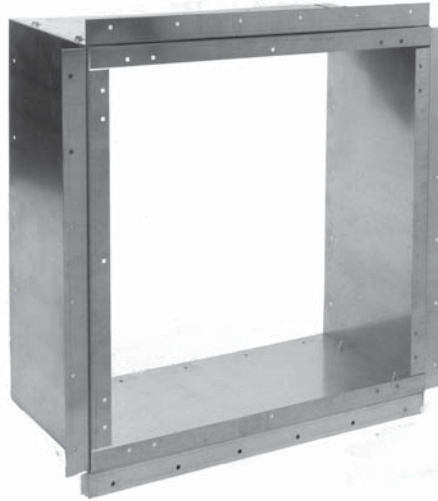
See page 87 for pricing of optional motor conversion kits. EASR-MF-44 –EASR-MF-56 are two panel construction. EASR-MF-62 is three panel. If used for Supply Duty, a Motor Actuator Kit must be utilized with shutter.

EASR & WC SELECTION / INSTALLATION INFORMATION AND CAUTIONS: The velocity profile near the fan blade tips (spot velocity) is non-uniform and will vary by fan model. This spot velocity condition can damage a backdraft damper if it exceeds the maximum recommended backdraft damper velocity. For this reason, it is recommended that the backdraft damper be mounted a minimum of 1/3 the fan diameter a way from the fan outlet. It is a good practice to contact the factory when applications have a velocity approaching the maximum allowed or when the fan motor horsepower is 7-1/2 and above, or when the fan spot velocity is in excess of the backdraft damper's maximum velocity. See page 55 for WRHD Heavy Duty Shutter information.

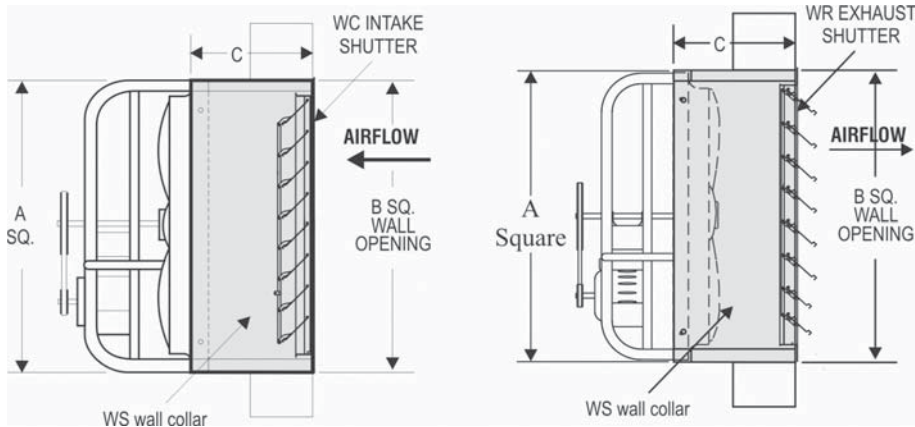
**NOTE:** When an EASR or WC Shutter is used for exhaust or supply and mounted remote from the fan, a WS Wall Collar is not needed. The shutter is installed directly on the wall and a Motor Actuator Kit must be utilized.

## Shutters and Wall Collars

### EASR & WC SHUTTERS WS Wall Collars



Catalog No.	Prop Dia.	A Sq.	B Wall Opening	C	Ship Wt.	Exhaust Shutter	Supply Shutter	Safety Motor Side (Rear) Guard*
WS10	10 EPR	14	15	12	14	EASR-MF-10"	WC9	N/R
WS12	12	16	17	12	15	EASR-MF-12"	WC10	12RG
WS16E	16 EPR	20	21	12	20	EASR-MF-14"	WC12	N/R
WS18E	16	22	23	12	20	EASR-MF-18"	WC16	16RG
WS18E	18 EPR	22	23	12	19	EASR-MF-18"	WC16	N/R
WS18	18	24	25	12	19	EASR-MF-20"	WC18	18RG
WS24	24	30	31	14	31	EASR-MF-26"	WC24	24RG
WS30	30	36	37	14 1/2	45	EASR-MF-32"	WC30	30RG
WS36	36	42	43	17	61	EASR-MF-38"	WC36	36RG
WS42	42	48	49	19	89	EASR-MF-42"	WC42	42RG
WS48	48	54	55	21	112	EASR-MF-50"	WC48	48RG
WS54	54	60	61	23	149	EASR-MF-56"	WC54	54RG
WS60	60	66	67	25	178	EASR-MF-62"	WC60	60RG



\*Safety motor side (rear) guards are included on all EPR, and 18" & 24" PD series fans. See page 58 for motor (rear) side guard dimensions.

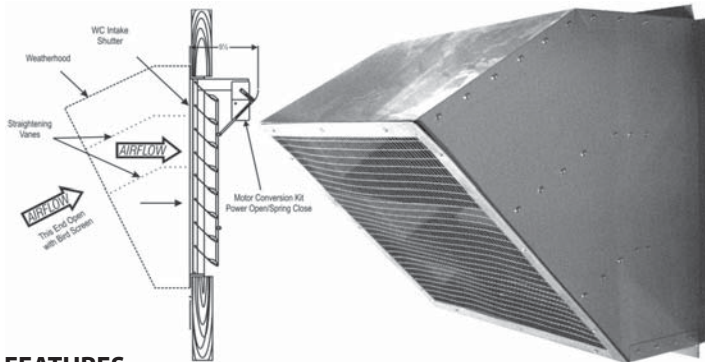
**For epoxy coating of Wall Collars, add \$285 to list price.**

**NOTES:**

WS wall collars are shipped knocked down. Fan not included with WS wall collars.

Wall collars are galvanized.

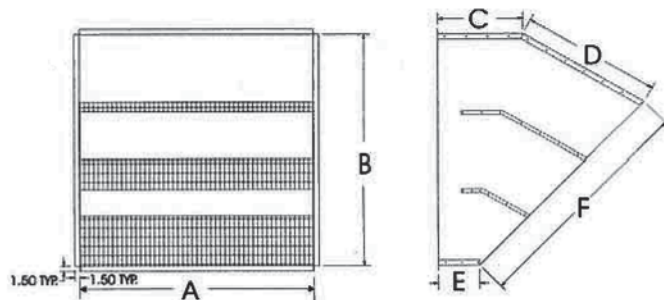
## WH Weather Hoods FG & RG



### FEATURES

- Galvanized
- All Steel Construction
- Bird Screen
- Turning Vanes

EDP No.	Catalog No.	Size	Ship Wt.	List Price
99915	WH24	Hood for 24" Unit	67	\$930
99916	WH30	Hood for 30" Unit	168	\$1,159
99917	WH36	Hood for 36" Unit	206	\$1,434
99921	WH42	Hood for 42" Unit	231	\$1,674
99923	WH48	Hood for 48" Unit	303	\$1,846
99918	WH54	Hood for 54" Unit	342	\$2,281
99919	WH60	Hood for 60" Unit	384	\$2,487



Used on 24" - 60" propeller wall fans.

**For epoxy coating of Weatherhoods, add \$285 to list price.**

### Dimensions

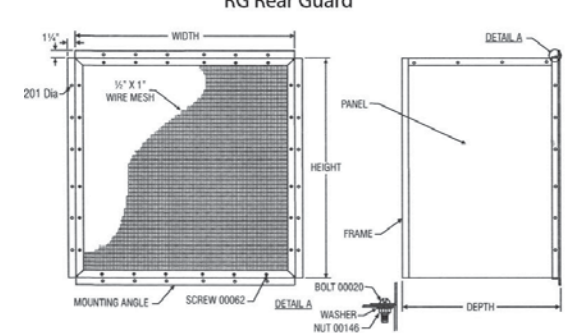
Cat. No.	A	B	C	D	E	F
WH24	30.50	30.50	15.29	18.06	9.43	30.50
WH30	36.50	36.50	18.30	21.62	11.28	36.50
WH36	42.50	42.50	21.31	25.17	13.14	42.50
WH42	48	48	19.42	28.43	10.19	48
WH48	54	54	21.04	31.98	10.65	54
WH54	60	60	22.88	35.54	11.34	60
WH60	66	66	24.04	38.59	11	66

Weatherhoods shipped knocked down for field assembly

### FEATURES

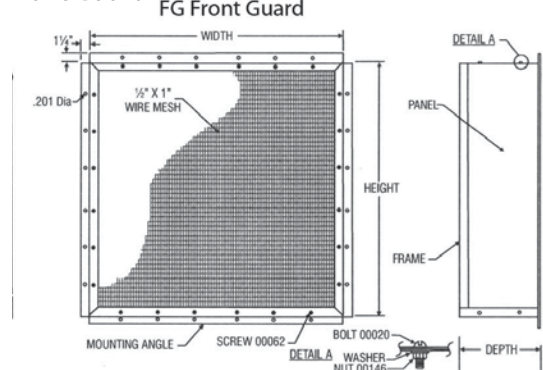
- Galvanized construction
- Removable mounting flanges on RG rear guard
- Shipped knocked down
- Easy to assemble
- 1/2" X 1" Wire Mesh Guard

### RG Rear Guard



EDP No.	Model	Height	Width	Depth	Frame Material	Ship Wt	List Price
23605	12RG	16.25	16.25	16	20 Ga.	15	\$298
23610	16RG	22.25	22.25	16	20 Ga.	20	\$374
23615	18RG	24.25	24.25	16	20 Ga.	22	\$426
23620	24RG	30.54	30.54	25	20 Ga.	28	\$450
23625	30RG	36.54	36.54	25	18 Ga.	42	\$482
23630	36RG	42.57	42.57	28	18 Ga.	75	\$788
23635	42RG	48.57	48.57	34.5	18 Ga.	101	\$1,010
23640	48RG	54.57	54.57	36.5	18 Ga.	122	\$1,232
23645	54RG	60.57	60.57	42.5	18 Ga.	335	\$1,410
23650	60RG	66.57	66.57	44.5	18 Ga.	348	\$1,601

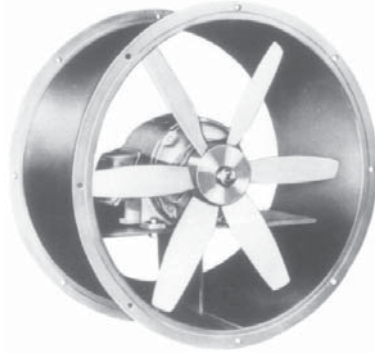
### FG Front Guard



EDP No.	Model	Height	Width	Depth	Ship Weight	List Price
23660	12 FG	13.75	13.75	6	7	\$257
23665	16FG	19.75	19.75	6	10	\$273
23670	18FG	21.75	21.75	6	11	\$310
23675	24FG	27.75	27.75	6	15	\$342
23680	30FG	33.75	33.75	6	18	\$374
23685	36FG	39.75	39.75	6	28	\$458
23690	42FG	45.75	45.75	6	35	\$543
23695	48FG	51.75	51.75	6	40	\$593
23700	54FG	57.75	57.75	6	43	\$697
23705	60FG	63.75	63.75	6	48	\$802

## Direct Drive Fans

### TUBE AXIAL MODEL PLDA



#### 1 Year Warranty

#### DIRECT DRIVE PERFORMANCE / PRICING FEATURES

- Fan Easily Mounts In Round Duct
- Ball Bearing, Standard NEMA Frame Motors
- Spark Resistant Cast Aluminum Propellers

**NOTE: For special custom order products - Once in production, non-cancellable, non returnable under any circumstance.**

#### Totally Enclosed Single Speed

#### 1 Phase 115/230V

EDP No.	Catalog No.	Prop Dia.	HP	Fan RPM	Capacity (CFM) @ "SP						Approx. Ship. Wt.	List Price
					0"	1/8"	1/4"	3/8"	1/2"	3/4"		
32002	PLDA12FZ	12"	1/2	3450	1875	1650	1400	1320	1250	1100	41	\$2,279
32008	PLDA12HZ	12"	3/4	3450	2044	1960	1920	1820	1650	1500	50	\$2,047
32014	PLDA18CA	18"	1/4	1725	3450	3050	2500	1200			60	\$2,227
32020	PLDA18DA	18"	1/3	1725	3315	3000	2600	2000	1400		90	\$2,439
32026	PLDA18JA	18"	1	1725	4600	4375	4080	3600	3000	2100	100	\$2,878
32032	PLDA24CA	24"	1/4	1725	5200	4200	2820	1050			96	\$2,443
32038	PLDA24DC	24"	1/3	1140	4975	4690	4250	3920	2850		100	\$3,641
32044	PLDA24FA	24"	1/2	1725	6510	5880	5200	4150	3100	1800	114	\$3,196
32051	PLDA24HC	24"	3/4	1140	6900	6450	6265	5600	3300		120	\$4,330
32057	PLDA24JA	24"	1	1725	7425	7000	6350	5850	5000	3300	150	\$3,556
32066	PLDA27FA	27"	1/2	1725	7550	6829	6000	5100	4000	2000	122	\$2,974
32073	PLDA27JA	27"	1	1725	9600	9000	8400	7775	7050	4800	152	\$3,816
32079	PLDA27MA	27"	2	1725	11500	11200	10700	10000	9300	8000	175	\$4,494
32085	PLDA30FA	30"	1/2	1725	8980	7650	6300	5400	4350	2300	128	\$3,678
32091	PLDA30HC	30"	3/4	1140	10440	9750	8750	7640	600		185	\$4,664
32097	PLDA30MA	30"	2	1725	12000	11250	10450	9600	8700	6000	180	\$4,659
32109	PLDA34KA	34"	1-1/2	1725	13350	12100	10000	9100	7300		190	\$5,062
32115	PLDA34MA	34"	2	1725	14850	13600	12100	10450	8800	4000	200	\$5,316

**TUBE AXIAL  
MODEL PLDA**
**Totally Enclosed Single Speed**
**3 Phase 230/460V**

EDP No.	Catalog No.	Prop Dia.	HP	Fan RPM	Capacity (CFM) @ "SP						Approx. Ship. Wt.	List Price
					0"	1/8"	1/4"	3/8"	1/2"	3/4"		
32003	PLDA12FZ	12"	1/2	3450	1875	1650	1400	1320	1250	1100	41	\$2,327
32009	PLDA12HZ	12"	3/4	3450	2044	1960	1920	1820	1650	1500	50	\$2,412
32015	PLDA18CA	18"	1/4	1725	3450	3050	2500	1200			60	\$2,214
32021	PLDA18DA	18"	1/3	1725	3315	3000	2600	2000	1400		90	\$2,362
32027	PLDA18JA	18"	1	1725	4600	4375	4080	3600	3000	2100	100	\$2,841
32033	PLDA24CA	24"	1/4	1725	5200	4200	2820	1050			96	\$2,425
32039	PLDA24DC	24"	1/3	1140	4975	4690	4250	3920	2850		100	\$3,546
32045	PLDA24FA	24"	1/2	1725	6510	5880	5200	4150	3100	1800	114	\$3,159
32052	PLDA24HC	24"	3/4	1140	6900	6450	6265	5600	3300		120	\$3,747
32058	PLDA24JA	24"	1	1725	7425	7000	6350	5850	5000	3300	150	\$3,487
32062	PLDA24OA	24"	3	1725	10500	9800	9500	9100	8700	7800	190	\$4,049
32067	PLDA27FA	27"	1/2	1725	7550	6829	6000	5100	4000	2000	122	\$2,943
32074	PLDA27JA	27"	1	1725	9600	9000	8400	7775	7050	4800	152	\$3,747
32080	PLDA27MA	27"	2	1725	11500	11200	10700	10000	9300	8000	175	\$3,451
32086	PLDA30FA	30"	1/2	1725	8980	7650	6300	5400	4350	2300	128	\$3,641
32092	PLDA30HC	30"	3/4	1140	10440	9750	8750	7640	600		185	\$4,081
32098	PLDA30MA	30"	2	1725	12000	11250	10450	9600	8700	6000	180	\$4,229
32102	PLDA30MC	30"	2	1140	14000	13750	12900	11850	10450	2500	180	\$4,892
32105	PLDA30OA	30"	3	1725	16000	15350	14700	13850	12900	10200	200	\$4,404
32110	PLDA34KA	34"	1-1/2	1725	13350	12100	10000	9100	7300		190	\$4,068
32116	PLDA34MA	34"	2	1725	14850	13600	12100	10450	8800	4000	200	\$4,887
32120	PLDA34MC	34"	2	1140	15950	15100	13800	12500	11400		200	\$5,417
32123	PLDA34OC	34"	3	1140	19300	18290	17230	16000	14800	11614	250	\$5,494
32126	PLDA42JD	42"	1	870	15800	15200	13480	12310	5800	900	260	\$6,429
32128	PLDA42MC	42"	2	1140	17964	17277	15326	13990	12351	7600	252	\$6,106
32131	PLDA42MD	42"	2	870	22040	21000	20500	18500	15000	6000	260	\$7,547
32133	PLDA42PC	42"	5	1140	28970	27960	26840	25700	24200	19500	300	\$7,447
32136	PLDA48OC	48"	3	1140	28600	26500	24400	22000	20000	15900	290	\$7,371
32138	PLDA48OD	48"	3	870	28700	26500	24200	21600	18500	10000	290	\$9,720
32140	PLDA48PD	48"	5	870	33000	31500	29750	27650	25300	18000	310	\$9,913

**Explosion Proof Single Speed**
**1 Phase 115/230V**

EDP No.	Catalog No.	Prop Dia.	HP	Fan RPM	Capacity (CFM) @ "SP						Approx. Ship. Wt.	List Price
					0"	1/8"	1/4"	3/8"	1/2"	3/4"		
32004	PLDA12FZ	12"	1/2	3450	1875	1650	1400	1320	1250	1100	41	\$3,090
32010	PLDA12HZ	12"	3/4	3450	2044	1960	1920	1820	1650	1500	50	\$3,289
32016	PLDA18CA	18"	1/4	1725	3450	3050	2500	1200			60	\$2,884
32022	PLDA18DA	18"	1/3	1725	3315	3000	2600	2000	1400		90	\$3,312
32028	PLDA18JA	18"	1	1725	4600	4375	4080	3600	3000	2100	100	\$3,843
32034	PLDA24CA	24"	1/4	1725	5200	4200	2820	1050			96	\$3,096
32040	PLDA24DC	24"	1/3	1140	4975	4690	4250	3920	2850		100	\$4,447
32046	PLDA24FA	24"	1/2	1725	6510	5880	5200	4150	3100	1800	114	\$4,155
32053	PLDA24HC	24"	3/4	1140	6900	6450	6265	5600	3300		120	\$5,459
32059	PLDA24JA	24"	1	1725	7425	7000	6350	5850	5000	3300	150	\$4,426
32068	PLDA27FA	27"	1/2	1725	7550	6829	6000	5100	4000	2000	122	\$3,789
32075	PLDA27JA	27"	1	1725	9600	9000	8400	7775	7050	4800	152	\$4,691
32081	PLDA27MA	27"	2	1725	11500	11200	10700	10000	9300	8000	175	\$8,008
32087	PLDA30FA	30"	1/2	1725	8980	7650	6300	5400	4350	2300	128	\$4,638
32093	PLDA30HC	30"	3/4	1140	10440	9750	8750	7640	6000		185	\$5,793
32111	PLDA34K	34"	1 1/2	1725	13350	12100	10000	9100	7300		190	\$7,643



## Direct Drive Fans

### TUBE AXIAL

Explosion Proof Single Speed

3 Phase 230/460V

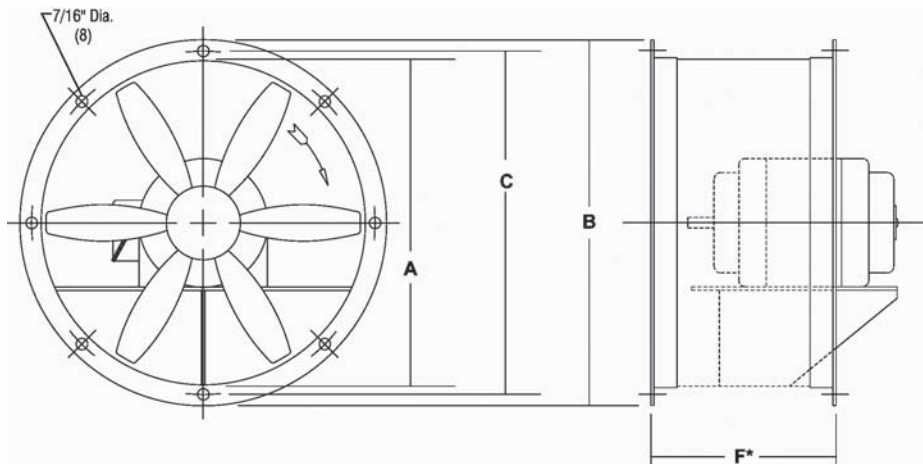
EDP No.	Catalog No.	Prop Dia.	HP	Fan RPM	Capacity (CFM) @ "SP					Approx. Ship. Wt.	List Price	
					0"	1/8"	1/4"	3/8"	1/2"			3/4"
32005	PLDA12FZ	12"	1/2	3450	1875	1650	1400	1320	1250	1100	41	\$2,776
32011	PLDA12HZ	12"	3/4	3450	2044	1960	1920	1820	1650	1500	50	\$3,424
32017	PLDA18CA	18"	1/4	1725	3450	3050	2500	1200			60	\$2,889
32023	PLDA18DA	18"	1/3	1725	3315	3000	2600	2000	1400		90	\$3,204
32029	PLDA18JA	18"	1	1725	4600	4375	4080	3600	3000	2100	100	\$3,917
32035	PLDA24CA	24"	1/4	1725	5200	4200	2820	1050			96	\$3,105
32041	PLDA24DC	24"	1/3	1140	4975	4690	4250	3920	2850		100	\$4,675
32047	PLDA24FA	24"	1/2	1725	6510	5880	5200	4150	3100	1800	114	\$4,229
32054	PLDA24HC	24"	3/4	1140	6900	6450	6265	5600	3300		120	\$5,189
32060	PLDA24JA	24"	1	1725	7425	7000	6350	5850	5000	3300	150	\$4,484
32063	PLDA24OA	24"	3	1725	10500	9800	9500	9100	8700	7800	190	\$5,496
32069	PLDA27FA	27"	1/2	1725	7550	6829	6000	5100	4000	2000	122	\$4,542
32076	PLDA27JA	27"	1	1725	9600	9000	8400	7775	7050	4800	152	\$4,749
32082	PLDA27MA	27"	2	1725	11500	11200	10700	10000	9300	8000	175	\$5,116
32088	PLDA30FA	30"	1/2	1725	8980	7650	6300	5400	4350	2300	128	\$4,712
32094	PLDA30HC	30"	3/4	1140	10440	9750	8750	7640	600		185	\$5,523
32100	PLDA30MA	30"	2	1725	12000	11250	10450	9600	8700	6000	180	\$5,256
32103	PLDA30MC	30"	2	1140	14000	13750	12900	11850	10450	2500	180	\$5,836
32106	PLDA30OA	30"	3	1725	16000	15350	14700	13850	12900	10200	200	\$5,851
32112	PLDA34KA	34"	1-1/2	1725	13350	12100	10000	9100	7300		190	\$5,701
32118	PLDA34MA	34"	2	1725	14850	13600	12100	10450	8800	4000	200	\$5,818
32121	PLDA34MC	34"	2	1140	15950	15100	13800	12500	11400		200	\$6,286
32124	PLDA34OC	34"	3	1140	19300	18290	17230	16000	14800	11614	250	\$8,454
32129	PLDA42MC	42"	2	1140	17964	17277	15326	13990	12351	7600	252	\$6,867
32134	PLDA42PC	42"	5	1140	28970	27960	26840	25700	24200	19500	300	\$8,061

### PLDA DIMENSIONS

Prop Dia.	A	B	C	F*
12"	12	14	13	14
18"	18	20	19	14
24"	24	27	25-5/8	18
27"	27	30	28-5/8	18
30"	30	33	31-5/8	18
34"	34	37	35-5/8	18
42"	42	45	43-5/8	18
48"	48	51	49-5/8	18

\*Approx. - Dim. varies with motor.

**NOTE: Special custom order product. Once in production, non-cancellable, non-returnable under any circumstance.**



**TUBE AXIAL  
MODEL PLDA  
PLDA Tube Axial Accessories**
**Matching Flange (1 ea.)**

EDP No.	Catalog No.	Prop Dia.	List Price
32141	PLDA Accessory	12"	\$108
32146	PLDA Accessory	18"	\$138
32152	PLDA Accessory	24"	\$162
32157	PLDA Accessory	27"	\$198
32162	PLDA Accessory	30"	\$198
32167	PLDA Accessory	34"	\$244
32173	PLDA Accessory	42"	\$279
32178	PLDA Accessory	48"	\$293

**Inspection Door**

EDP No.	Catalog No.	Prop Dia.	List Price
32147	PLDA Accessory	18"	\$599
32153	PLDA Accessory	24"	\$617
32158	PLDA Accessory	27"	\$738
32163	PLDA Accessory	30"	\$747
32168	PLDA Accessory	34"	\$765
32174	PLDA Accessory	42"	\$801
32179	PLDA Accessory	48"	\$828

**Guard (each)**

EDP No.	Catalog No.	Prop Dia.	List Price
32143	PLDA Accessory	12"	\$171
32148	PLDA Accessory	18"	\$175
32154	PLDA Accessory	24"	\$189
32159	PLDA Accessory	27"	\$244
32164	PLDA Accessory	30"	\$265
32169	PLDA Accessory	34"	\$302
32175	PLDA Accessory	42"	\$356
32180	PLDA Accessory	48"	\$486

**Epoxy Coating**

EDP No.	Catalog No.	Prop Dia.	List Price
32144	PLDA Accessory	12"	\$1,031
32149	PLDA Accessory	18"	\$1,085
32155	PLDA Accessory	24"	\$1,382
32160	PLDA Accessory	27"	\$1,688
32165	PLDA Accessory	30"	\$1,742
32171	PLDA Accessory	34"	\$2,052
32176	PLDA Accessory	42"	\$2,426
32181	PLDA Accessory	48"	\$2,876

**Cont. Weld of Flange to Drum**

EDP No.	Catalog No.	Prop Dia.	List Price
32145	PLDA Accessory	12"	\$149
32151	PLDA Accessory	18"	\$149
32156	PLDA Accessory	24"	\$212
32161	PLDA Accessory	27"	\$212
32166	PLDA Accessory	30"	\$275
32172	PLDA Accessory	34"	\$323
32177	PLDA Accessory	42"	\$275
32182	PLDA Accessory	48"	\$338

## Belt Drive Fans

### TUBE AXIAL MODEL PLDXA



#### 1 Year Warranty

#### BELT DRIVE PERFORMANCE / PRICING FEATURES

- Fan Easily Mounts In Round Duct
- Air Tight Cylinder Protects Belts, Bearings & Pulleys from Contaminated Air
- Adjustable Motor Base
- Spark Resistant Cast Aluminum Propellers

**NOTE: For special custom order products - Once in production, non-cancellable, non returnable under any circumstance.**

#### Totally Enclosed Single Speed

#### 1 Phase 115/230V

EDP No.	Catalog No.	Prop Dia.	HP	Fan RPM	Capacity (CFM) @ "SP						Approx. Ship. Wt.	List Price
					0"	1/8"	1/4"	3/8"	1/2"	3/4"		
32185	PLDXA12CA	12"	1/4	2625	1444	1307	1033	638	380		68	\$3,032
32191	PLDXA12FA	12"	1/2	3450	1875	1650	1400	1320	1250	1100	72	\$2,695
32197	PLDXA12HA	12"	3/4	3450	2044	1960	1920	1820	1650	1500	76	\$2,893
32203	PLDXA15CA	15"	1/4	2000	2600	2100	1700				73	\$3,254
32209	PLDXA15DA	15"	1/3	2200	2950	2500	2100	1760	1000		75	\$3,461
32215	PLDXA15FA	15"	1/2	1890	3350	3000	2650	2200	1500		80	\$3,466
32221	PLDXA15HA	15"	3/4	2200	3900	3700	3400	3100	2700	1150	95	\$3,583
32227	PLDXA18CA	18"	1/4	1600	3050	2500	2000	1200			80	\$3,424
32233	PLDXA18DA	18"	1/3	1725	3375	3000	2600	2000	1400		85	\$3,620
32239	PLDXA18FA	18"	1/2	1890	3850	3500	3100	2500	2000		95	\$3,625
32245	PLDXA18JA	18"	1	1725	4600	4375	4080	3600	3000	2100	115	\$4,102
32251	PLDXA18KA	18"	1-1/2	1990	5350	5060	4830	4550	3950	3000	125	\$4,198
32257	PLDXA24FA	24"	1/2	1298	5643	5320	4826	4440	3500		125	\$3,922
32263	PLDXA24HA	24"	3/4	1600	6906	6510	5900	5440	4650	2750	130	\$4,102
32269	PLDXA24JA	24"	1	1725	7425	7000	6350	5850	5000	3300	145	\$4,335
32275	PLDXA24KA	24"	1-1/2	1540	8200	7900	7650	7280	6850	5500	150	\$5,427
32281	PLDXA24MA	24"	2	1600	9760	9114	8830	8460	8090	7000	170	\$5,682
32290	PLDXA27HA	27"	3/4	1250	8330	7814	7550	7070	6500	4650	135	\$5,093
32296	PLDXA27JA	27"	1	1400	9400	8675	8480	7950	7300	5200	155	\$5,327
32302	PLDXA27KA	27"	1-1/2	1600	10700	10250	9700	9080	8375	6000	160	\$5,692
32308	PLDXA27MA	27"	2	1350	11500	11200	10700	10000	9300	8000	210	\$6,016
32314	PLDXA30FA	30"	1/2	1140	8900	7925	6660	4270	2300		118	\$4,971
32320	PLDXA30JA	30"	1	1298	9896	8970	7980	6050	4120		140	\$5,517
32326	PLDXA30KA	30"	1-1/2	1035	11100	10600	9700	8600	7500	3500	165	\$6,037
32332	PLDXA30MA	30"	2	1176	12100	11660	11000	10121	9322	6700	200	\$6,286
32341	PLDXA34KA	34"	1-1/2	1170	13695	12400	11100	8365	6000	1050	175	\$6,789
32347	PLDXA34MA	34"	2	1027	14657	13652	12590	11500	10000	8000	210	\$7,261
32358	PLDXA42KA	42"	1-1/2	750	18960	17000	14662	11700	7200		175	\$8,321
32364	PLDXA42MA	42"	2	820	20700	18900	17002	14700	11400	4000	210	\$8,586

**TUBE AXIAL  
MODEL PLDXA**

Totally Enclosed Single Speed  
3 Phase 230/460V

EDP No.	Catalog No.	Prop Dia.	HP	Fan RPM	Capacity (CFM) @ "SP						Approx. Ship. Wt.	List Price
					0"	1/8"	1/4"	3/8"	1/2"	3/4"		
32186	PLDXA12CA	12"	1/4	2625	1444	1307	1033	638	380		68	\$3,010
32192	PLDXA12FA	12"	1/2	3450	1875	1650	1400	1320	1250	1100	72	\$3,191
32198	PLDXA12HA	12"	3/4	3450	2044	1960	1920	1820	1650	1500	76	\$3,413
32204	PLDXA15CA	15"	1/4	2000	2600	2100	1700				73	\$3,233
32210	PLDXA15DA	15"	1/3	2200	2950	2500	2100	1760	1000		75	\$3,366
32216	PLDXA15FA	15"	1/2	1890	3350	3000	2650	2200	1500		80	\$3,429
32222	PLDXA15HA	15"	3/4	2200	3900	3700	3400	3100	2700	1150	95	\$3,535
32228	PLDXA18CA	18"	1/4	1600	3050	2500	2000	1200			80	\$3,408
32234	PLDXA18DA	18"	1/3	1725	3375	3000	2600	2000	1400		85	\$3,525
32240	PLDXA18FA	18"	1/2	1890	3850	3500	3100	2500	2000		95	\$3,588
32246	PLDXA18JA	18"	1	1725	4600	4375	4080	3600	3000	2100	115	\$4,033
32252	PLDXA18KA	18"	1-1/2	1990	5350	5060	4830	4550	3950	3000	125	\$4,468
32258	PLDXA24FA	24"	1/2	1298	5643	5320	4826	4440	3500		125	\$3,885
32264	PLDXA24HA	24"	3/4	1600	6906	6510	5900	5440	4650	2750	130	\$4,055
32270	PLDXA24JA	24"	1	1725	7425	7000	6350	5850	5000	3300	145	\$4,267
32276	PLDXA24KA	24"	1-1/2	1540	8200	7900	7650	7280	6850	5500	150	\$5,178
32282	PLDXA24MA	24"	2	1600	9760	9114	8830	8460	8090	7000	170	\$5,247
32286	PLDXA24OA	24"	3	1725	10500	9800	9500	9100	8700	7800	185	\$5,565
32291	PLDXA27HA	27"	3/4	1250	8330	7814	7550	7070	6500	4650	135	\$5,046
32297	PLDXA27JA	27"	1	1400	9400	8675	8480	7950	7300	5200	155	\$5,258
32303	PLDXA27KA	27"	1-1/2	1600	10700	10250	9700	9080	8375	6000	160	\$5,422
32309	PLDXA27MA	27"	2	1350	11500	11200	10700	10000	9300	8000	210	\$5,581
32315	PLDXA30FA	30"	1/2	1140	8900	7925	6660	4270	2300		118	\$4,934
32321	PLDXA30JA	30"	1	1298	9896	8970	7980	6050	4120		140	\$5,448
32327	PLDXA30KA	30"	1-1/2	1035	11100	10600	9700	8600	7500	3500	165	\$5,766
32333	PLDXA30MA	30"	2	1176	12100	11660	11000	10121	9322	6700	200	\$5,851
32337	PLDXA30OA	30"	3	1350	13480	12982	12498	12042	11465	10380	215	\$6,084
32342	PLDXA34KA	34"	1-1/2	1170	13695	12400	11100	8365	6000	1050	175	\$6,519
32348	PLDXA34MA	34"	2	1027	14657	13652	12590	11500	10000	8000	210	\$6,826
32354	PLDXA34OA	34"	3	1175	17580	16750	15896	14600	14095	12000	275	\$7,001
32359	PLDXA42KA	42"	1-1/2	750	18960	17000	14662	11700	7200		250	\$8,051
32365	PLDXA42MA	42"	2	820	20700	18900	17002	14700	11400	4000	260	\$8,157
32369	PLDXA42OA	42"	3	890	23700	22100	20200	18960	16970	9950	275	\$8,332
32374	PLDXA42PA	42"	5	850	26900	25600	24403	23450	22250	18400	325	\$9,100
32377	PLDXA48PA	48"	5	800	33000	31000	29400	27500	25670	20700	375	\$13,043
32380	PLDXA48QA	48"	7-1/2	900	37500	35900	34500	32800	31200	27700	430	\$13,754
32383	PLDXA48RA	48"	10	1000	41200	39700	38300	36900	35400	32400	520	\$14,421



## Belt Drive Fans

### TUBE AXIAL

### MODEL PLDXA

Explosion Proof Single Speed

1 Phase 115/230V

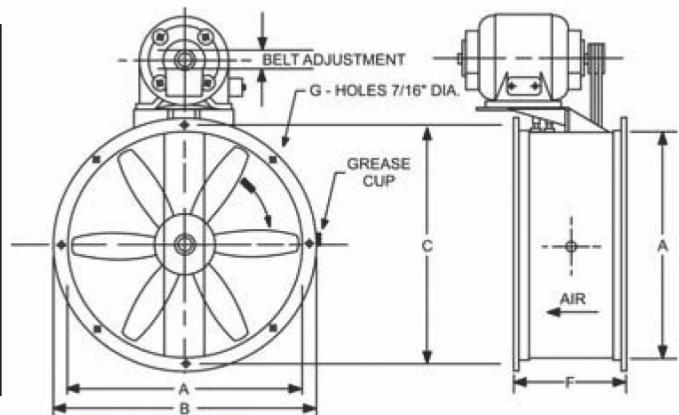
EDP No.	Catalog No.	Prop Dia.	HP	Fan RPM	Capacity (CFM) @ "SP						Approx. Ship. Wt.	List Price
					0"	1/8"	1/4"	3/8"	1/2"	3/4"		
32187	PLDXA12CA	12"	1/4	2625	1444	1307	1033	638	380		68	\$3,235
32193	PLDXA12FA	12"	1/2	3450	1875	1650	1400	1320	1250	1100	72	\$3,478
32199	PLDXA12HA	12"	3/4	3450	2044	1960	1920	1820	1650	1500	76	\$3,757
32205	PLDXA15CA	15"	1/4	2000	2600	2100	1700				73	\$4,023
32211	PLDXA15DA	15"	1/3	2200	2950	2500	2100	1760	1000		75	\$3,811
32217	PLDXA15FA	15"	1/2	1890	3350	3000	2650	2200	1500		80	\$4,426
32223	PLDXA15HA	15"	3/4	2200	3900	3700	3400	3100	2700	1150	95	\$4,712
32229	PLDXA18CA	18"	1/4	1600	3050	2500	2000	1200			80	\$4,198
32235	PLDXA18DA	18"	1/3	1725	3375	3000	2600	2000	1400		85	\$4,643
32241	PLDXA18FA	18"	1/2	1890	3850	3500	3100	2500	2000		95	\$4,585
32247	PLDXA18JA	18"	1	1725	4600	4375	4080	3600	3000	2100	115	\$4,977
32253	PLDXA18KA	18"	1-1/2	1990	5350	5060	4830	4550	3950	3000	125	\$6,116
32259	PLDXA24FA	24"	1/2	1298	5643	5320	4826	4440	3500		125	\$4,881
32265	PLDXA24HA	24"	3/4	1600	6906	6510	5900	5440	4650	2750	130	\$4,441
32271	PLDXA24JA	24"	1	1725	7425	7000	6350	5850	5000	3300	145	\$5,210
32277	PLDXA24KA	24"	1-1/2	1540	8200	7900	7650	7280	6850	5500	150	\$8,008
32283	PLDXA24MA	24"	2	1600	9760	9114	8830	8460	8090	7000	170	\$9,196
32292	PLDXA27HA	27"	3/4	1250	8330	7814	7550	7070	6500	4650	135	\$6,228
32298	PLDXA27JA	27"	1	1400	9400	8675	8480	7950	7300	5200	155	\$6,196
32304	PLDXA27KA	27"	1-1/2	1600	10700	10250	9700	9080	8375	6000	160	\$8,268
32310	PLDXA27MA	27"	2	1350	11500	11200	10700	10000	9300	8000	210	\$9,529
32316	PLDXA30FA	30"	1/2	1140	8900	7925	6660	4270	2300		118	\$5,931
32322	PLDXA30JA	30"	1	1298	9896	8970	7980	6050	4120		140	\$6,392
32328	PLDXA30KA	30"	1-1/2	1035	11100	10600	9700	8600	7500	3500	165	\$8,618
32334	PLDXA30MA	30"	2	1176	12100	11660	11000	10121	9322	6700	200	\$9,800
32343	PLDXA34KA	34"	1-1/2	1170	13695	12400	11100	8365	6000	1050	175	\$9,370
32349	PLDXA34MA	34"	2	1027	14657	13652	12590	11500	10000	8000	210	\$10,775
32360	PLDXA42KA	42"	1-1/2	750	18960	17000	14662	11700	7200		250	\$10,902
32366	PLDXA42MA	42"	2	820	20700	18900	17002	14700	11400	4000	260	\$12,160

**TUBE AXIAL  
MODEL PLDXA**
**Explosion Proof Single Speed**
**NOTE: For special custom order products - Once in production, non-cancellable, non returnable under any circumstance.**
**3 Phase 230/460V**

EDP No.	Catalog No.	Prop Dia.	HP	Fan RPM	Capacity (CFM) @ "SP						Approx. Ship. Wt.	List Price
					0"	1/8"	1/4"	3/8"	1/2"	3/4"		
32188	PLDXA12CA	12"	1/4	2625	1444	1307	1033	638	380		68	\$3,811
32194	PLDXA12FA	12"	1/2	3450	1875	1650	1400	1320	1250	1100	72	\$4,097
32200	PLDXA12HA	12"	3/4	3450	2044	1960	1920	1820	1650	1500	76	\$4,426
32206	PLDXA15CA	15"	1/4	2000	2600	2100	1700				73	\$4,033
32212	PLDXA15DA	15"	1/3	2200	2950	2500	2100	1760	1000		75	\$4,357
32218	PLDXA15FA	15"	1/2	1890	3350	3000	2650	2200	1500		80	\$4,505
32224	PLDXA15HA	15"	3/4	2200	3900	3700	3400	3100	2700	1150	95	\$4,680
32230	PLDXA18CA	18"	1/4	1600	3050	2500	2000	1200			80	\$4,203
32236	PLDXA18DA	18"	1/3	1725	3375	3000	2600	2000	1400		85	\$4,516
32242	PLDXA18FA	18"	1/2	1890	3850	3500	3100	2500	2000		95	\$4,659
32248	PLDXA18JA	18"	1	1725	4600	4375	4080	3600	3000	2100	115	\$5,035
32254	PLDXA18KA	18"	1-1/2	1990	5350	5060	4830	4550	3950	3000	125	\$5,980
32260	PLDXA24FA	24"	1/2	1298	5643	5320	4826	4440	3500		125	\$4,956
32266	PLDXA24HA	24"	3/4	1600	6906	6510	5900	5440	4650	2750	130	\$5,199
32272	PLDXA24JA	24"	1	1725	7425	7000	6350	5850	5000	3300	145	\$5,263
32278	PLDXA24KA	24"	1-1/2	1540	8200	7900	7650	7280	6850	5500	150	\$7,081
32284	PLDXA24MA	24"	2	1600	9760	9114	8830	8460	8090	7000	170	\$7,213
32287	PLDXA24OA	24"	3	1725	10500	9800	9500	9100	8700	7800	185	\$7,007
32293	PLDXA27HA	27"	3/4	1250	8330	7814	7550	7070	6500	4650	135	\$6,196
32299	PLDXA27JA	27"	1	1400	9400	8675	8480	7950	7300	5200	155	\$6,254
32305	PLDXA27KA	27"	1-1/2	1600	10700	10250	9700	9080	8375	6000	160	\$7,341
32311	PLDXA27MA	27"	2	1350	11500	11200	10700	10000	9300	8000	210	\$7,547
32317	PLDXA30FA	30"	1/2	1140	8900	7925	6660	4270	2300		118	\$6,010
32323	PLDXA30JA	30"	1	1298	9896	8970	7980	6050	4120		140	\$6,445
32329	PLDXA30KA	30"	1-1/2	1035	11100	10600	9700	8600	7500	3500	165	\$7,685
32335	PLDXA30MA	30"	2	1176	12100	11660	11000	10121	9322	6700	200	\$7,818
32338	PLDXA30OA	30"	3	1350	13480	12982	12498	12042	11465	10380	215	\$7,531
32344	PLDXA34KA	34"	1-1/2	1170	13695	12400	11100	8365	6000	1050	175	\$7,168
32352	PLDXA34MA	34"	2	1027	14657	13652	12590	11500	10000	8000	210	\$7,465
32355	PLDXA34OA	34"	3	1175	17580	16750	15896	14600	14095	12000	275	\$8,443
32361	PLDXA42KA	42"	1-1/2	750	18960	17000	14662	11700	7200		250	\$8,469
32367	PLDXA42MA	42"	2	820	20700	18900	17002	14700	11400	4000	260	\$8,590
32372	PLDXA42OA	42"	3	890	23700	22100	20200	18960	16970	9950	275	\$9,773
32375	PLDXA42PA	42"	5	850	26900	25600	24403	23450	22250	18400	325	\$10,955
32378	PLDXA48PA	48"	5	800	33000	31000	29400	27500	25670	20700	375	\$14,898
32381	PLDXA48QA	48"	7-1/2	900	37500	35900	34500	32800	31200	27700	430	\$15,070
32384	PLDXA48RA	48"	10	1000	41200	39700	38300	36900	35400	32400	520	\$15,781

**PLDXA Dimensions**

Prop Dia.	A	B	C	F
12	12	14	13	12
15	15	17	16	12
18	18	20	19	12
24	24	27	25-5/8	12 16*
27	27	30	28-5/8	12 16**
30	30	33	31-5/8	12 16**
34	34	37	35-5/8	16
42	42	45	43-5/8	18
48	48	51	49-5/8	24



\*2 HP &amp; UP \*\*1-1/2 HP &amp; UP

## Belt Drive Fans

### TUBE AXIAL MODEL PLDXA

#### Weather Covers For Motor And Drive

EDP No.	Catalog No.	Size	HP	List Price
88202	Weather Cover	12" - 42"	Up to 1.5	\$621
88203	Weather Cover	24" - 48"	2 - 5	\$774
88205	Weather Cover	42" - 48"	7.5 & Up	\$796

#### PLDXA Tube Axial Accessories

##### Matching Flange (1 ea.)

EDP No.	Catalog No.	Prop Dia.	List Price
32385	PLDXA Accessory	12"	\$108
32392	PLDXA Accessory	15"	\$133
32398	PLDXA Accessory	18"	\$138
32404	PLDXA Accessory	24"	\$191
32412	PLDXA Accessory	27"	\$198
32418	PLDXA Accessory	30"	\$198
32424	PLDXA Accessory	34"	\$244
32431	PLDXA Accessory	42"	\$279
32437	PLDXA Accessory	48"	\$292

##### Inspection Door

EDP No.	Catalog No.	Prop Dia.	List Price
32399	PLDXA Accessory	18"	\$598
32405	PLDXA Accessory	24"	\$616
32413	PLDXA Accessory	27"	\$738
32419	PLDXA Accessory	30"	\$747
32425	PLDXA Accessory	34"	\$765
32432	PLDXA Accessory	42"	\$801
32438	PLDXA Accessory	48"	\$828

##### Inlet/Outlet Guard

EDP No.	Catalog No.	Prop Dia.	List Price
32387	PLDXA Accessory	12"	\$171
32394	PLDXA Accessory	15"	\$171
32400	PLDXA Accessory	18"	\$175
32406	PLDXA Accessory	24"	\$189
32414	PLDXA Accessory	27"	\$244
32420	PLDXA Accessory	30"	\$265
32426	PLDXA Accessory	34"	\$301
32433	PLDXA Accessory	42"	\$355
32439	PLDXA Accessory	48"	\$486

##### Belt Drive Guard (OSHA)

EDP No.	Catalog No.	Prop Dia.	List Price
32388	PLDXA Accessory	12"	\$454
32395	PLDXA Accessory	15"	\$454
32401	PLDXA Accessory	18"	\$454
32407	PLDXA Accessory	24"	\$454
32415	PLDXA Accessory	27"	\$495
32421	PLDXA Accessory	30"	\$495
32427	PLDXA Accessory	34"	\$495
32434	PLDXA Accessory	42"	\$544
32440	PLDXA Accessory	48"	\$544

#### Epoxy Coating

EDP No.	Catalog No.	Prop Dia.	List Price
32389	PLDXA Accessory	12"	\$1,030
32396	PLDXA Accessory	15"	\$1,053
32402	PLDXA Accessory	18"	\$1,084
32408	PLDXA Accessory	24"	\$1,381
32416	PLDXA Accessory	27"	\$1,687
32422	PLDXA Accessory	30"	\$1,741
32428	PLDXA Accessory	34"	\$2,052
32435	PLDXA Accessory	42"	\$2,425
32441	PLDXA Accessory	48"	\$2,875

#### Cont. Weld of Flange to Drum

EDP No.	Catalog No.	Prop Dia.	List Price
32391	PLDXA Accessory	12"	\$148
32397	PLDXA Accessory	15"	\$148
32403	PLDXA Accessory	18"	\$148
32409	PLDXA Accessory	24"	\$212
32417	PLDXA Accessory	27"	\$212
32423	PLDXA Accessory	30"	\$274
32429	PLDXA Accessory	34"	\$323
32436	PLDXA Accessory	42"	\$274
32442	PLDXA Accessory	48"	\$337

See page 3 for Explosion Proof Motor information

## Direct Drive Upblast Propeller Roof Ventilators

### MODEL UP

#### 1 Year Warranty - FEATURES

- Ideal for General Ventilation
- Discharges Heat, Fumes, Moisture High Above Roof
- Totally Enclosed Motors
- Includes Magnetic Latches on Dampers That Minimize Flutter When Fan Is Not in Operation

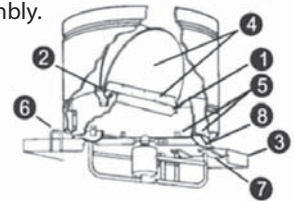


#### DIRECT DRIVE PERFORMANCE

Prop Dia.	HP	RPM	0" SP CFM	1/8" CFM	1/4" CFM	Max BHP
18"	1/2	1750	3853	3550	3215	0.57
24"	1/3	1150	4495	3948	-	0.36
24"	1	1750	6847	6482	6126	0.94
30"	3/4	1150	9802	8885	7597	0.64
30"	2	1750	14910	14368	13752	2.25
36"	1	1150	10194	8961	-	0.70
36"	3	1750	15500	14640	13840	2.45
42"	1	850	14640	13222	11985	0.94
42"	2	1150	17618	16879	16019	1.99
42"	5	1150	26150	25120	24040	4.35
48"	2	850	21840	20200	18400	1.76
48"	5	1150	29500	28300	27100	4.58
60"	3	850	32200	29775	27550	2.30

#### CONSTRUCTION FEATURES

1. Weatherproof streamlined drain trough.
2. Rigid bearing bracket with iolite damper bearings.
3. Leak proof base, no bolt holes.
4. Aluminum dampers with reinforced center strip.
5. All metal assembly for permanent alignment and rattle free operation.
6. Lifting lugs on large units to facilitate installation.
7. Welded base and hanger assembly.
8. Internal condensation drain.



### Direct Drive

#### 1PH 115/230V

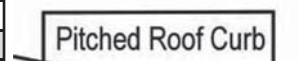
EDP No.	Catalog No.	Prop Dia.	Motor HP	Ship Wt.	List Price
30250	UP18H-G3	18"	1/2 (TE)	186	\$3,120
30260	UP24H-F3	24"	1/3 (TE)	290	\$3,683
30270	UP24H-I3	24"	1 (TE)	290	\$3,516
30280	UP30H-H3	30"	3/4 (TE)	292	\$3,392

#### 3PH 230/460V

EDP No.	Catalog No.	Prop Dia.	Motor HP	Ship Wt.	List Price
30400	UP18H-G8	18"	1/2 (TE)	179	\$3,065
30410	UP24H-F8	24"	1/3 (TE)	230	\$5,043
30420	UP24H-I8	24"	1 (TE)	243	\$3,526
30430	UP30H-H8	30"	3/4 (TE)	285	\$4,559
30440	UP30H-K8	30"	2 (TE)	306	\$4,584
30450	UP36H-I8	36"	1 (TE)	370	\$5,345
30460	UP36H-L8	36"	3 (TE)	419	\$5,628
30470	UP42H-I8	42"	1 (TE)	500	\$7,478
30480	UP42H-K8	42"	2 (TE)	500	\$7,490
30490	UP42H-M8	42"	5 (TE)	569	\$7,545
30500	UP48H-K8	48"	2 (TE)	575	\$9,579
30510	UP48H-M8	48"	5 (TE)	646	\$9,672
30520	UP60H-L8	60"	3 (TE)	775	\$11,818

### Roof Curbs For UP & UPB Series

EDP No.	Catalog No.	Prop Dia.	Ship Wt.	Description	List Price
31050	PACN31.5-8	18"	34	31 1/2" x 31 1/2" x 8" Insulated steel curb	\$356
31055	PACN37.5-8	24"	39	37 1/2" x 37 1/2" x 8" Insulated steel curb	\$425
31060	PACN43.5-8	30"	45	43 1/2" x 43 1/2" x 8" Insulated steel curb	\$491
31065	PACN49.5-8	36"	50	49 1/2" x 49 1/2" x 8" Insulated steel curb	\$562
31070	PACN55.5-8	42"	60	55 1/2" x 55 1/2" x 8" Insulated steel curb	\$664
31075	PACN61.5-8	48"	67	61 1/2" x 61 1/2" x 8" Insulated steel curb	\$695
31080	PACN73.5-8	60"	85	73 1/2" x 73 1/2" x 8" Insulated steel curb	\$833



UP/UPB are special custom order products that are non-cancelable, non returnable once in production.

PACN Curbs do not have Damper Shelf.

NOTES: For dimensional data, see page 69

Speed (RPM) is nominal. Performance is based on actual speed of test.

Performance shown is for installation Type A: Free Inlet, Free Outlet.

Performance ratings do not include the effects of appurtenances in the airstream. Power ratings (BHP) do not include drive losses.

Pitched and Peaked Curbs available.

For Pitched Roof Curb price, multiply flat roof curb price by 1.67.

For Peaked Roof Curb price, multiply flat roof curb price by 2.22.

For pricing of Pitched or Peaked Roof Curbs greater than 8" in height, consult factory.

Please specify Pitched or Peaked when ordering.

Metal roofs, consult factory for sizing and pricing.



# Belt Drive Upblast Propeller Roof Ventilators

## MODEL UPB

### BELT DRIVE PERFORMANCE

Prop Dia.	HP	RPM	0" SP CFM	1/8" CFM	1/4" CFM	Max BHP
24'	1/2	985	5652	4967	4152	0.57
24'	3/4	1133	6501	5940	5309	0.74
24'	1	1256	7207	6690	6121	1.01
30"	3/4	773	8870	7900	6493	0.77
30"	1	849	9742	8944	7836	1.02
30"	1-1/2	979	11233	10730	9644	1.57
30"	2	1085	12449	12072	11061	2.13
36"	1	661	12367	10698	9401	0.97
36"	1-1/2	767	14350	13024	11250	1.51
36"	2	857	16033	14810	13804	2.11
36"	3	981	18353	17355	16406	3.17
36"	5	1172	21927	21057	20291	5.4
42"	1-1/2	598	17332	15616	13557	1.39
42"	2	670	19418	17958	16174	1.95
42"	3	781	22635	21475	19943	3.09
42"	5	928	26896	25994	24767	5.18
48"	3	633	27124	25307	22865	2.99
48"	5	660	30516	28662	26807	3.96
60"	3	394	36216	31488	26008	3.04
60"	5	473	43478	39543	35691	5.25

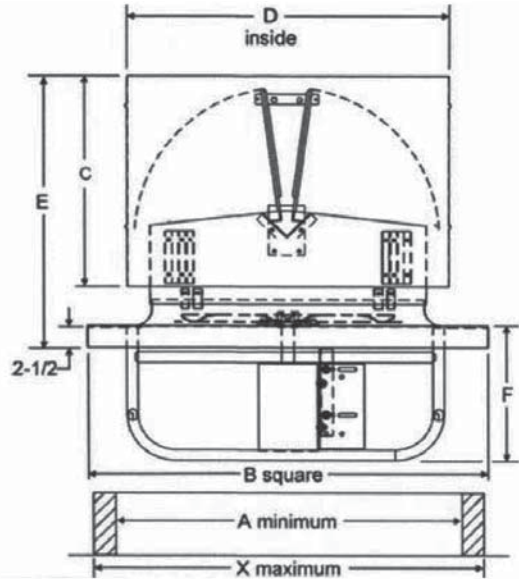
### Belt Drive

#### 1PH 115/230V

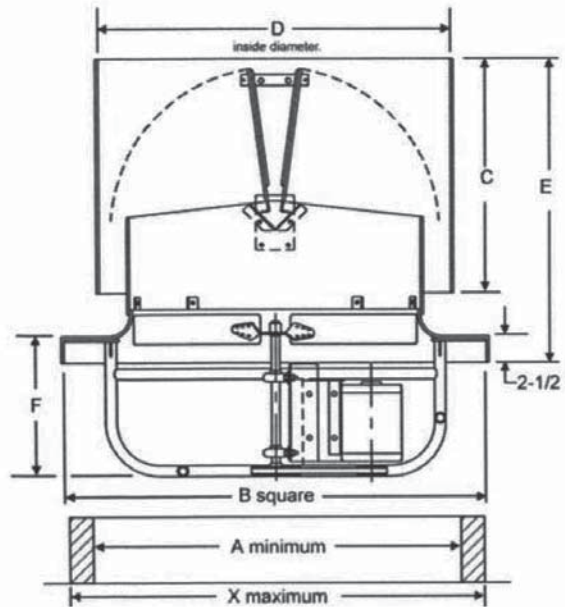
EDP No.	Catalog No.	Prop Dia.	Motor HP	Ship Wt.	List Price
30600	UPB24R-G3	24"	1/2 (TE)	270	\$3,712
30610	UPB24R-H3	24"	3/4 (TE)	270	\$3,841
30620	UPB24R-I3	24"	1 (TE)	270	\$3,840
30630	UPB30R-H3	30"	3/4 (TE)	330	\$4,620
30640	UPB30R-I3	30"	1 (TE)	330	\$4,647
30650	UPB30R-J3	30"	1 1/2 (TE)	330	\$4,799
30670	UPB36R-I3	36"	1 (TE)	375	\$5,572
30680	UPB36R-J3	36"	1 1/2 (TE)	375	\$5,714
30720	UPB42R-J3	42"	1 1/2 (TE)	525	\$6,453

#### 3PH 230/460V

EDP No.	Catalog No.	Prop Dia.	Motor HP	Ship Wt.	List Price
30850	UPB24R-G8	24"	1/2 (TE)	270	\$3,636
30860	UPB24R-H8	24"	3/4 (TE)	270	\$3,683
30870	UPB24R-I8	24"	1 (TE)	270	\$3,664
30880	UPB30R-H8	30"	3/4 (TE)	330	\$4,477
30890	UPB30R-I8	30"	1 (TE)	330	\$4,559
30900	UPB30R-J8	30"	1 1/2 (TE)	330	\$4,722
30910	UPB30R-K8	30"	2 (TE)	330	\$4,714
30920	UPB36R-I8	36"	1 (TE)	375	\$5,355
30930	UPB36R-J8	36"	1 1/2 (TE)	375	\$5,639
30940	UPB36R-K8	36"	2 (TE)	375	\$5,521
30950	UPB36R-L8	36"	3 (TE)	375	\$6,007
30960	UPB36R-M8	36"	5 (TE)	375	\$6,663
30970	UPB42R-J8	42"	1 1/2 (TE)	525	\$6,402
30980	UPB42R-K8	42"	2 (TE)	525	\$6,339
30990	UPB42R-L8	42"	3 (TE)	525	\$6,751
31000	UPB42R-M8	42"	5 (TE)	525	\$7,383
31010	UPB48R-L8	48"	3 (TE)	600	\$7,710
31020	UPB48R-M8	48"	5 (TE)	600	\$7,973
31030	UPB60R-L8	60"	3 (TE)	800	\$10,652
31040	UPB60R-M8	60"	5 (TE)	800	\$11,160



UP SERIES



UPB SERIES

#### DIMENSIONS (INCHES)

Prop Dia.	A Min.	B	C	D	E	F		X Max.
						UP	UPB	
18	24	33	18	24	22	9 1/4		32
24	31	39	22	30	26	10 1/2	14	38
30	37	45	25	36	29	14 3/4	14	44
36	43	51	28	42	32	14 3/4	14	50
42	50	57	32	48	36	17 3/4	14	56
48	55	63	34	54	38	18	15	62
60	66	75	42	66	46	18	15	74

\*APPROXIMATE - varies with motor size.

## Direct Drive Propeller Rooftop Exhaust Fans

### MODEL ARD

#### 1 Year Warranty - FEATURES

- Wall or Roof Mount
- Spun Aluminum Housing
- Bird Screen
- Integral Vibration Isolators
- Aluminum Bladed Propellers
- Solid State Speed Control Not Available
- Emergency Disconnect Switch Standard

"Airmaster Fan certifies that Model ARD shown herein is (or are) licensed to bear the AMCA Seal. The ratings shown are based on tests and procedures performed in accordance with AMCA Publication 211 and AMCA Publication 311 and comply with the requirements of the AMCA Certified Ratings Program."



#### PERFORMANCE

Catalog No.	HP	RPM	Capacity (CFM) at "S.P.							
			0"	1/8"	1/4"	3/8"	1/2"	5/8"	3/4"	1"
ARD100	1/30	1500	525	330	225	140	-	-	-	-
ARD120	1/10	1500	830	700	620	510	430	350	250	80
ARD140	.17	1100	1160	880	790	650	520	390	240	-
ARD180	1/3	1100	2420	2000	1610	1500	1300	1050	890	410

\* Performance shown is for installation type A: Free inlet, Free outlet. Performance ratings do not include the effects of appurtenances in the airstream. Power rating (BHP) does not include transmission losses.

### 115V Models & Optional Curbs

#### ODP 1 Speed 1 Phase 115V

EDP No.	Catalog No.	Prop Dia.	Ship Wt.	List Price
32644	ARD100XB	10"	12	\$501
32645	ARD120XB	12"	20	\$736
32646	ARD140BC	14"	34	\$939
32647	ARD180DC	18"	46	\$1,248

#### 8" & 12" Curb

EDP No.	Catalog No.	Curb Size	Used With ARD Models Cat. No.	List Price
31100	PACA17.75-8	8"	ARD100XB, ARD120XB	\$200
31101	PACA17.75-12	12"	ARD100XB, ARD120XB	\$217
31102	PACA20-8	8"	ARD140BC	\$223
31103	PACA20-12	12"	ARD140BC	\$241
31110	PACA25-8	8"	ARD180DC	\$258
31111	PACA25-12	12"	ARD180DC	\$280

#### Roof Mount Damper

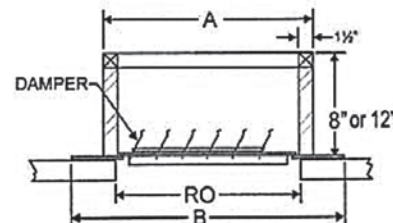
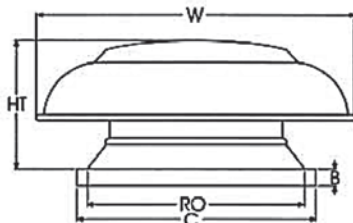
EDP No.	Catalog No.	Used With ARD Models Cat. No.	Ship Wt.	List Price
32452	BD14.5A	ARD100XB, ARD120XB	3	\$72
32453	BD16.75A	ARD140BC	4	\$81
32454	BD21.75A	ARD180DC	5	\$113

### WALL MOUNT BRACKETS AVAILABLE - CONTACT FACTORY

Prop Dia.	Catalog Number	Ht	W	B	C	RO or WO
10"	ARD100	9"	18"	2"	19"	13"
12"	ARD120	11"	21-1/2"	2"	19"	13"
14"	ARD140	14"	27"	2"	21"	16"
18"	ARD180	16"	34"	2"	26"	20"

#### CURB DIMENSIONS

Curb Cat. No.	A Sq.	B Sq.	Roof Opening	Damper Cat. No.
PACA17.75	17-3/4"	23-3/4"	13"	BD14.5A
PACA20	20"	24"	16"	BD16.75A
PACA25	25"	29"	20"	BD21.75A



#### NOTES:

Pitched and Peaked Curbs available.

For Pitched Roof Curb price, multiply flat roof curb price by 1.67.

For Peaked Roof Curb price, multiply flat roof curb price by 2.22.

Please specify Pitched or Peaked when ordering.

Metal roofs, consult factory for sizing and pricing.

Special custom order product. Once in production, non-cancelable, non-returnable under any circumstance.

# Centrifugal Direct Drive Exhaust Fans

## MODEL CDD

### 1 Year Warranty - FEATURES

- Durable and Quiet at Higher Static Pressures
- Suitable for Roof or Wall Mount
- 115V, 1 Phase, 1 Speed, Open Drip Proof Motors
- Bird Screen Standard
- Emergency Disconnect Switch Standard
- Non-Overloading, Backward Inclined Wheel
- Variable Speed Control Standard



"Airmaster Fan certifies that Model CDD shown herein is (or are) licensed to bear the AMCA Seal. The ratings shown are based on tests and procedures performed in accordance with AMCA Publication 211 and AMCA Publication 311 and comply with the requirements of the AMCA Certified Ratings Program."

## PERFORMANCE

Catalog No.	HP	RPM	Max Sones	Capacity (CFM) at "S.P.								
				0"	1/8"	1/4"	3/8"	1/2"	5/8"	3/4"	1"	
CDD100-2	1/10	1600	7.4	510	470	425	370	300	175			
CDD120-2	.18	1600	12.2	945	880	800	725	650	550			
CDD300B-2	1/6	1625	13.4	1410	1340	1265	1190	1110	1040	950	790	
CDD330B-2	1/3	1600	14.2	1310	1250	1190	1110	1030	950	860	680	
CDD550B-2	1/2	1600	17.4	2400	2300	2210	2120	2050	1910	1850	1600	

Speed Control allows for CFM range to 50% of CMF stated

\* Performance shown is for installation type A: Free inlet, Free outlet. Performance ratings do not include the effects of appurtenances in the airstream. Power rating (BHP) does not include transmission losses. The sound ratings shown are loudness values in fan sones at 5 ft (1.5 m) in a hemispherical free field calculated per AMCA Standard 301. Values shown are for Installation Type A: Free inlet hemispherical sone levels.

## 115V Models

EDP No.	Catalog No.	Wheel Dia.	Ship Wt.	List Price
32446	CDD100-2	9"	30	\$796
32447	CDD120-2	10½"	35	\$904
32727	CDD300B-2	10¾"	45	\$1,171
32449	CDD330B-2	11¾"	45	\$1,209
32451	CDD550B-2	12"	50	\$1,457

## 8" & 12" Curb

EDP No.	Catalog No.	Curb Size	Used With CDD Models	List Price
31100	PACA17.75-8	8"	CDD100-2, CDD120-2	\$200
31101	PACA17.75-12	12"	CDD100-2, CDD120-2	\$217
31102	PACA20-8	8"	CDD300B-2, CDD330B-2, CDD550B-2	\$223
31103	PACA20-12	12"	CDD300B-2, CDD330B-2, CDD550B-2	\$241

## Gravity Damper & Motor Kit

EDP No.	Catalog No.	Used With CDD Models	Ship Wt.	List Price
32452	BD14.5A	CDD100-2, CDD120-2	3	\$72
32453	BD16.75A	CDD300B-2, CDD330B-2, CDD550B-2	4	\$81
94283	Motor Kit	CDD100-2, CDD120-2, CDD300B-2, CDD330B-2, CDD550B-2	5	\$252

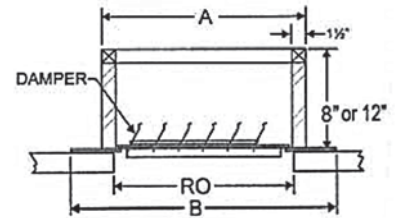
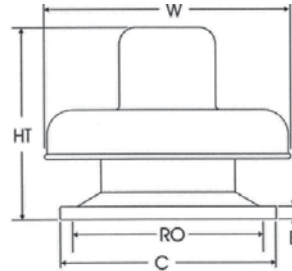
Special custom order product. Once in production, non-cancellable, nonreturnable under any circumstance.

## FAN DIMENSIONS

Catalog No.	Ht	W	B	C	Wall or Roof Opening
CDD100	14-1/2"	20-3/4"	2"	19"	13"
CDD120	16-1/4"	23-3/4"	2"	19"	13"
CDD300B-2	19-1/8"	26-1/4"	2"	21"	16"
CDD330B-2	19-1/8"	26-1/4"	2"	21"	16"
CDD550B-2	21-3/4"	29-3/4"	2"	21"	16"

## CURB DIMENSIONS

Curb Cat. No.	Ship Wt.	A Sq.	B Sq.	Roof Opening	Damper Cat. No.
PACA17.75	17	17-3/4"	23-3/4"	13"	BD14.5 A
PACA20	22	20"	24"	16"	BD16.75 A



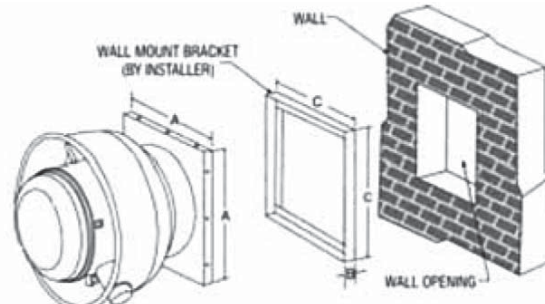
## 115V Models

### Accessories

EDP No.	Catalog No.	Description	List Price
62000	Curb Hinge	Curb Hinge	\$172

## CDD WALL MOUNTING DETAILS

MODEL	A	C	WALL OPENING
CDD100	19	18-1/2"	13
CDD120	19	18-1/2"	13
CDD300B	21	20-1/2"	16
CDD330B	21	20-1/2"	16
CDD500B	21	20-1/2"	16



## NOTES:

Pitched and Peaked Curbs available.  
 For Pitched Roof Curb price, multiply flat roof curb price by 1.67.  
 For Peaked Roof Curb price, multiply flat roof curb price by 2.22.  
 Please specify Pitched or Peaked when ordering.  
 Metal roofs, consult factory for sizing and pricing.  
 WALLMOUNT BRACKETS AVAILABLE - CONTACT FACTORY

## Centrifugal Belt Drive Exhaust Fans

### MODEL CBD

**Handles Higher Static Pressures - Quietly**  
**1 Year Warranty - FEATURES**

- Non-Overloading Backward Inclined Wheel
- Aluminum Housing
- Forced Air Thru Motor Compartment
- Variable Pitch Motor Pulley Allows for Field Adjustments
- AMCA Licensed for Sound and Air
- Bird Screen
- Emergency Disconnect Switch Standard
- Suitable for Wall Mount up through CBD245MA

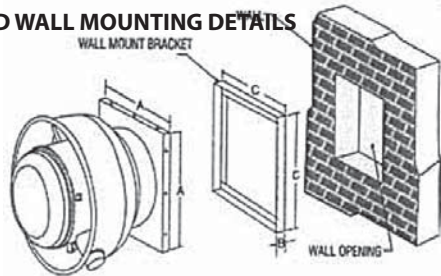
"Airmaster Fan certifies that Model CBD shown herein is (or are) licensed to bear the AMCA Seal. The ratings shown are based on tests and procedures performed in accordance with AMCA Publication 211 and AMCA Publication 311 and comply with the requirements of the AMCA Certified Ratings Program."



Catalog No.	Wheel Dia.	HP	Fan RPM	Capacity (CFM) at "S.P.									Max. Sones	Ship Wt.
				0"	1/8"	1/4"	3/8"	1/2"	3/4"	1"	1-1/4"	1-1/2"		
CBD130CA	13"	1/4	1200	1950	1850	1750	-	-	-	-	-	-	10.8	105
CBD130DA	13"	1/3	1300	2100	2050	1940	1850	-	-	-	-	-	11.8	105
CBD130FA	13"	1/2	1500	2420	2350	2280	2200	2150	-	-	-	-	17.1	105
CBD150DA	15"	1/3	1000	2600	2500	2300	2150	2000	1400	-	-	-	10.2	120
CBD150FA	15"	1/2	1200	3100	3000	2900	2800	2610	2350	1900	-	-	13.0	120
CBD150HA	15"	3/4	1300	3350	3300	3190	3100	2950	2690	2390	1900	-	15.8	130
CBD150JA	15"	1	1500	3850	3800	3710	3650	3510	3310	3100	2850	2500	21.0	130
CBD180DA	18"	1/3	700	2750	2600	2390	2200	1800	-	-	-	-	8.3	150
CBD180FA	18"	1/2	800	3100	3000	2800	2700	2400	1700	-	-	-	10.2	150
CBD180HA	18"	3/4	1000	3900	3800	3650	3500	3400	-	-	-	-	12.5	160
CBD180JA	18"	1	1100	4300	4200	4100	3950	3800	3600	-	-	-	13.9	160
CBD180KA	18"	1-1/2	1200	4700	4600	4500	4400	4250	4050	3800	3500	3100	19.2	180
CBD180MA	18"	2	1300	5100	5000	4900	4800	4700	4500	4250	4050	3750	24.0	190
CBD200FA	20"	1/2	700	4000	3875	3625	3375	2950	-	-	-	-	8.4	155
CBD200HA	20"	3/4	800	4600	4375	4250	4000	3750	3050	-	-	-	10.0	165
CBD200JA	20"	1	900	5125	5000	4875	4625	4500	3950	3250	-	-	12.8	165
CBD200KA	20"	1-1/2	1000	5750	5625	5450	5375	5125	4750	4250	3500	-	15.0	185
CBD200MA	20"	2	1200	6875	6750	6625	6500	6375	6125	-	-	-	19.8	195
CBD245HA	24"	3/4	600	5600	5400	5000	4500	4000	-	-	-	-	11.0	185
CBD245KA	24"	1-1/2	800	7550	7300	7100	6800	6500	5800	5000	3000	-	14.8	205
CBD245OA	24"	3	1000	9500	9250	9100	8900	8750	8250	7750	7200	6300	25.0	215
CBD300JA	30"	1	500	8200	7800	7500	7000	6500	5000	-	-	-	8.3	315
CBD300MA	30"	2	600	9700	9500	9250	8800	8500	7700	6400	-	-	12.6	345
CBD300OA	30"	3	700	11500	11250	11000	10750	10400	10250	9000	8000	6750	14.8	345
CBD300PA	30"	5	800	13100	12900	12600	12400	12200	11720	11200	10500	9600	21.0	380
CBD365KA	36"	1-1/2	400	11800	11000	10500	9500	8500	-	-	-	-	10.2	355
CBD365OA	36"	3	500	14600	14150	13700	13250	12500	11000	7800	-	-	14.9	365
CBD365PA	36"	5	600	17550	17200	16800	16500	15900	14800	13600	12000	-	19.7	400

\* Performance shown is for installation type A: Free inlet, Free outlet. Performance ratings do not include the effects of appurtenances in the airstream. Power rating (BHP) does not include transmission losses. The sound ratings shown are loudness values in fan sones at 5 ft (1.5 m) in a hemispherical free field calculated per AMCA Standard 301. Values shown are for Installation Type A: Free inlet hemispherical sone levels.

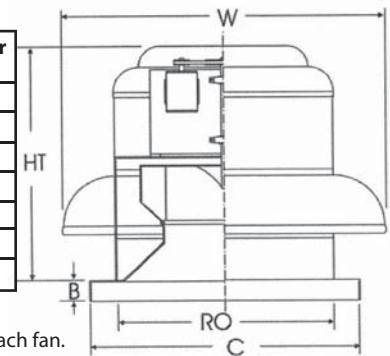
### CBD WALL MOUNTING DETAILS



Model	A	B	Wall Opening
CBD130	21	20-1/2	16
CBD150	24-3/4	24-1/4	20
CBD180	28	27-1/2	24
CBD200	28	27-1/2	24
CBD245	33	32-1/2	28

### FAN DIMENSIONS

Catalog Number	Ht.	W.	B	C	RO or WO
CBD130	26.75"	29.63"	2"	21"	16"
CBD150	30.63"	33.25"	2"	24-3/4"	20"
CBD180	32.75"	38.9"	2"	28"	24"
CBD200	32.75"	38.9"	2"	28"	24"
CBD245	37.25"	43.44"	2"	33"	28"
CBD300	40"	52.8"	2"	40"	36"
CBD365	45.56"	63.3"	2"	44"	40"



### NOTES:

Instructions for Wall Mounting included with each fan.  
 Totally Enclosed Motors available upon request.  
 50Hz motors available upon request.  
 Special custom order product. Once in production, noncancellable, non-returnable under any circumstance.

## MODEL CBD

### 115/230V 1 Phase

EDP No.	Catalog No.	List Price
32459	CBD130CA	\$1,708
32460	CBD130DA	\$1,732
32461	CBD130FA	\$1,773
32463	CBD150DA	\$1,890
32464	CBD150FA	\$1,948
32466	CBD150HA	\$2,017
32468	CBD150JA	\$2,135
32471	CBD180DA	\$2,632
32472	CBD180FA	\$2,682
32474	CBD180HA	\$2,750
32476	CBD180JA	\$2,851
32478	CBD180KA	\$2,972
32480	CBD180MA	\$3,447
32483	CBD200FA	\$2,718
32485	CBD200HA	\$2,784
32487	CBD200JA	\$2,880
32489	CBD200KA	\$3,029
32495	CBD245HA	\$3,637
32497	CBD245JA	\$3,742
32499	CBD245KA	\$3,905
32503	CBD300JA	\$4,743
32505	CBD300KA	\$4,886
32513	CBD365KA	\$6,087

### 208/230/460V 3 Phase

EDP No.	Catalog No.	List Price
32462	CBD130FA	\$1,826
32465	CBD150FA	\$1,946
32467	CBD150HA	\$1,970
32469	CBD150JA	\$2,010
32473	CBD180FA	\$2,758
32475	CBD180HA	\$2,778
32477	CBD180JA	\$2,813
32479	CBD180KA	\$2,870
32481	CBD180MA	\$3,272
32484	CBD200FA	\$2,776
32486	CBD200HA	\$2,795
32488	CBD200JA	\$2,881
32493	CBD200KA	\$2,884
32494	CBD200MA	\$3,358
32496	CBD245HA	\$3,650
32498	CBD245JA	\$3,686
32500	CBD245KA	\$3,746
32501	CBD245MA	\$4,267
32502	CBD245OA	\$4,433
32504	CBD300JA	\$4,694
32506	CBD300KA	\$4,747
32507	CBD300MA	\$5,203
32508	CBD300OA	\$5,349
32509	CBD300PA	\$4,986
32514	CBD365KA	\$5,742
32516	CBD365OA	\$6,159
32517	CBD365PA	\$7,062

### 8" Curb

EDP No.	Catalog No.	List Price
31102	PACA20-8	\$223
31107	PACA23.75-8	\$252
31112	PACA27-8	\$265
31115	PACA32-8	\$300
31118	PACA39-8	\$365
31121	PACA43-8	\$391

#### EDP No. Used with CBD Models No.

31102	CBD130CA, CBD130DA, CBD130FA
31107	CBD150DA, CBD150FA, CBD150HA, CBD150JA
31112	CBD180FA, CBD180HA, CBD180JA, CBD180KA, CBD180MA, CBD200FA, CBD200HA, CBD200JA, CBD200KA, CBD200MA, CBD245HA, CBD245JA, CBD245KA, CBD245MA, CBD245OA
31115	CBD300JA, CBD300KA, CBD300MA, CBD300OA, CBD300PA
31118	CBD300JA, CBD300KA, CBD300MA, CBD300OA, CBD300PA
31121	CBD365JA, CBD365KA, CBD365MA, CBD365OA, CBD365PA

### 12" Curb

EDP No.	Catalog No.	List Price
31103	PACA20-12	\$241
31108	PACA23.75-12	\$273
31113	PACA27-12	\$287
31116	PACA32-12	\$325
31119	PACA39-12	\$395
31122	PACA43-12	\$423

#### EDP No. Used with CBD Models No.

31103	CBD130CA, CBD130DA, CBD130FA
31108	CBD150DA, CBD150FA, CBD150HA, CBD150JA
31113	CBD180FA, CBD180HA, CBD180JA, CBD180KA, CBD180MA, CBD200FA, CBD200HA, CBD200JA, CBD200KA, CBD200MA, CBD245HA, CBD245JA, CBD245KA, CBD245MA, CBD245OA
31116	CBD300JA, CBD300KA, CBD300MA, CBD300OA, CBD300PA
31119	CBD300JA, CBD300KA, CBD300MA, CBD300OA, CBD300PA
31122	CBD365JA, CBD365KA, CBD365MA, CBD365OA, CBD365PA

### Damper - Gravity

EDP No.	Catalog No.	Ship Wt.	List Price
32453	BD16.75A	4	\$81
32455	BD29A	6	\$161
32456	BD23.75A	7	\$124
32518	BD37A	9	\$153
32457	BD44A	16	\$246
32458	BD39.75A	18	\$268

#### EDP No. Used with CBD Models No.

32453	CBD130CA, CBD130DA, CBD130FA
32455	CBD150DA, CBD150FA, CBD150HA, CBD150JA
32456	CBD180FA, CBD180HA, CBD180JA, CBD180KA, CBD180MA, CBD200FA, CBD200HA, CBD200JA, CBD200KA, CBD200MA, CBD245HA, CBD245JA, CBD245KA, CBD245MA, CBD245OA
32518	CBD245HA, CBD245JA, CBD245KA, CBD245MA, CBD245OA
32457	CBD300JA, CBD300KA, CBD300MA, CBD300OA, CBD300PA
32458	CBD365JA, CBD365KA, CBD365MA, CBD365OA, CBD365PA

### Damper - Motor Kit

EDP No.	Catalog No.	List Price
94283	Motor Kit	\$252
94282	Motor Kit	\$324

#### EDP No. Used with CBD Models No.

94283	CBD130CA, CBD130DA, CBD130FA, CBD150DA, CBD150FA, CBD150HA, CBD150JA, CBD180DA, CBD180FA, CBD180HA, CBD180JA, CBD180KA, CBD180MA, CBD200FA, CBD200HA, CBD200JA, CBD200KA, CBD200MA, CBD245HA, CBD245JA, CBD245KA, CBD245MA, CBD245OA, CBD300JA, CBD300KA, CBD300MA, CBD300OA, CBD300PA, CBD365JA, CBD365KA, CBD365MA, CBD365OA, CBD365PA
94282	CBD150HA, CBD150JA, CBD180DA, CBD180FA, CBD180HA, CBD180JA, CBD180KA, CBD180MA, CBD200FA, CBD200HA, CBD200JA, CBD200KA, CBD200MA, CBD245HA, CBD245JA, CBD245KA, CBD245MA, CBD245OA, CBD300JA, CBD300KA, CBD300MA, CBD300OA, CBD300PA, CBD365JA, CBD365KA, CBD365MA, CBD365OA, CBD365PA

### Wall Mount Damper

EDP No.	Catalog No.	List Price
32453	BD16.75A	\$81
32455	BD29A	\$161
32456	BD23.75A	\$124
32518	BD37A	\$153

#### EDP No. Used with CBD Models No.

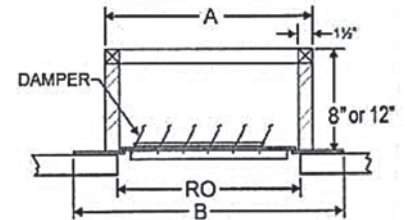
32453	CBD130CA, CBD130DA, CBD130FA
32455	CBD150DA, CBD150FA, CBD150HA, CBD150JA
32456	CBD180FA, CBD180HA, CBD180JA, CBD180KA, CBD180MA, CBD200FA, CBD200HA, CBD200JA, CBD200KA, CBD200MA
32518	CBD245HA, CBD245JA, CBD245KA, CBD245MA

The sound ratings shown are loudness values in fan sones at 5 ft. (1.5m) in a hemispherical free field calculated per AMCA Standard 301. Values shown are for installation Type A: Free inlet fan sone levels. Sones are given for the highest value over catalog range.

### WALL MOUNT BRACKETS AVAILABLE (through CBD245-MA) - CONTACT FACTORY

#### CURB DIMENSIONS

Curb Cat. No.	Ship Wt.	A Sq.	B Sq.	Roof Opening	Damper Cat. No.
PACA20	20	20"	24"	16"	BD16.75A
PACA23.75	23	23.75"	27.75"	20"	BD29A
PACA27	28	27"	31"	24"	BD23.75A
PACA32	39	32"	36"	28"	BD37A
PACA39	39	39"	43"	36"	BD44A
PACA43	45	43"	47"	40"	BD39.75A



### Accessories

EDP No.	Catalog No.	Description	List Price
62000	Curb Hinge	Curb Hinge	\$172

#### NOTES:

Pitched and Peaked Curbs available.  
**For Pitched Roof Curb price, multiply flat roof curb price by 1.67.**  
**For Peaked Roof Curb price, multiply flat roof curb price by 2.22.**  
**Please specify Pitched or Peaked when ordering.**  
 Metal roofs consult factory for sizing and pricing.

## Belt Drive Centrifugal Upblast Exhaust Fans

### MODEL CBU

#### High Efficiency...Quiet Operation

#### 1 Year Warranty - FEATURES

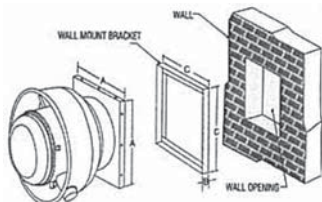
- Non-Overloading Backward Inclined Aluminum Wheel
- Suitable for Wall Mount up through CBU245MA
- Variable Pitch Motor Pulley Allows for Field Adjustment
- Emergency Disconnect Switch Standard
- AMCA Licensed for Sound and Air
- ETL Listed for Over Cooking and Grease Laden Air

"Airmaster Fan certifies that Model CBU shown herein is (or are) licensed to bear the AMCA Seal. The ratings shown are based on tests and procedures performed in accordance with AMCA Publication 211 and AMCA Publication 311 and comply with the requirements of the AMCA Certified Ratings Program."



Catalog No.	Wheel Dia.	HP	Fan RPM	Sones @ .25	Capacity (CFM) at "S.P.							Ship Wt.
					1/4"	3/8"	1/2"	3/4"	1"	1-1/4"	1-1/2"	
CBU130CA	13"	1/4	1125	11	1590	1500	1380	1000	-	-	-	120
CBU130DA	13"	1/3	1225	14.6	1760	1700	1575	1325	-	-	-	120
CBU130FA	13"	1/2	1425	18	2100	2050	1950	1780	1550	-	-	120
CBU150DA	15"	1/3	1000	13	2300	2100	1910	1380	-	-	-	130
CBU150FA	15"	1/2	1200	15.6	2800	2650	2570	2360	1900	-	-	130
CBU150HA	15"	3/4	1300	20	3150	2950	2850	2610	2300	1850	-	140
CBU150JA	15"	1	1500	24	3600	3500	3450	3290	3050	2750	2500	140
CBU180DA	18"	1/3	800	11	2700	2500	2260	1760	-	-	-	150
CBU180FA	18"	1/2	900	13	3125	3000	2750	2480	-	-	-	150
CBU180HA	18"	3/4	1000	15	3550	3400	3250	2900	2750	-	-	160
CBU180JA	18"	1	1100	17	3900	3880	3700	3400	3150	2800	-	160
CBU180KA	18"	1-1/2	1300	23	4750	4625	4520	4300	4125	3875	3625	180
CBU200FA	20"	1/2	700	10	3450	3325	2825	-	-	-	-	155
CBU200HA	20"	3/4	800	12	4075	3950	3600	2950	-	-	-	165
CBU200JA	20"	1	900	15.8	4700	4575	4325	3825	3200	-	-	165
CBU200KA	20"	1-1/2	1100	22	5825	5700	5580	5300	4900	4450	4100	185
CBU245JA	24"	1	625	12.5	4625	4375	4000	3000	-	-	-	200
CBU245KA	24"	1-1/2	725	15.5	5600	5350	4050	4500	3625	-	-	220
CBU245MA	24"	2	825	18.9	6550	6400	6100	5600	5000	4375	-	230
CBU245OA	24"	3	925	19.8	7450	7250	7050	6650	6150	5650	5000	230
CBU245PA	24"	5	1125	32	9250	9050	8875	8625	8250	7750	7400	270
CBU300HA	30"	3/4	450	10	5250	4750	3900	-	-	-	-	340
CBU300KA	30"	1-1/2	550	12.5	6750	6250	5800	4800	-	-	-	360
CBU300MA	30"	2	650	17	8200	7800	7500	7250	6000	5250	-	370
CBU300OA	30"	3	750	20	9600	9400	9100	8500	7800	7200	6250	370
CBU300PA	30"	5	850	26	11000	10750	10500	10100	9500	9000	8350	410
CBU365KA	36"	1-1/2	400	13	9600	8800	7800	-	-	-	-	500
CBU365OA	36"	3	500	19	12500	12000	11500	10000	8100	-	-	510
CBU365PA	36"	5	600	28	15500	15000	14500	13600	12500	11000	9000	550*

\*Performance shown is for installation type A: Free inlet, Free outlet. Performance ratings do not include the effects of appurtenances in the airstream. Power rating (BHP) does not include transmission losses. The sound ratings shown are loudness values in fan sones at 5 ft (1.5 m) in a hemispherical free field calculated per AMCA Standard 301. Values shown are for Installation Type A: Free inlet hemispherical sone levels.



#### CBU WALL MOUNTING DETAILS

Model	A	C	Wall Opening
CBU130	21	20-1/2	16
CBU150	24-3/4	24-1/4	20
CBU 180	28	27-1/2	24
CBU200	28	27-1/2	24
CBU245	33	32-1/2	28

#### FAN DIMENSIONS

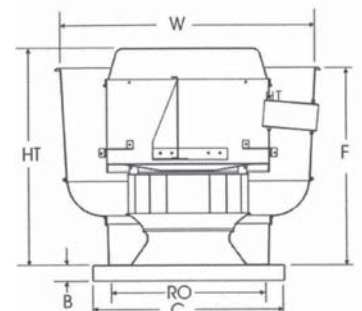
Wheel Dia.	Catalog Number	Ht.	W.	B	C	F	RO or WO
13"	CBU130	27.25"	30.25"	2"	21"	21.5"	16"
15"	CBU150	30.5"	33.75"	2"	24-3/4"	23"	20"
18"	CBU180	33.75"	39.38"	2"	28"	22.63"	24"
20"	CBU200	33.68"	38.88"	2"	28"	29.5"	24"
24"	CBU245	37.5"	43.38"	2"	33"	30.68"	28"
30"	CBU300	40"	52.75"	2"	40"	33.5"	36"
36"	CBU365	45.56"	63.44"	2"	44"	43.44"	40"

\* Wall mount not available for 30" or 36" size

NOTES: Instructions for Wall Mounting included with each fan.

50Hz motors available upon request.

Special custom order product. Once in production, noncancellable, non-returnable under any circumstance.



## Belt Drive Centrifugal Upblast Exhaust

### MODEL CBU Single Speed (ODP)

#### 115/230V 1 Phase

EDP No.	Catalog No.	List Price
32524	CBU130CA	\$2,258
32525	CBU130DA	\$2,268
32526	CBU130FA	\$2,299
32528	CBU150DA	\$2,399
32529	CBU150FA	\$2,430
32532	CBU150HA	\$2,480
32534	CBU150JA	\$2,571
32536	CBU180DA	\$2,844
32537	CBU180FA	\$2,775
32539	CBU180HA	\$2,825
32541	CBU180JA	\$2,920
32543	CBU180KA	\$3,900
32546	CBU200FA	\$3,217
32548	CBU200HA	\$3,266
32552	CBU200JA	\$3,358
32554	CBU200KA	\$3,511
32556	CBU245HA	\$3,882
32558	CBU245JA	\$3,975
32560	CBU245KA	\$4,128
32565	CBU300HA	\$5,910
32567	CBU300JA	\$6,025
32569	CBU300KA	\$6,203
32577	CBU365KA	\$7,005

#### 208/230/460V 3 Phase

EDP No.	Catalog No.	List Price
32527	CBU130FA	\$2,286
32531	CBU150FA	\$2,417
32533	CBU150HA	\$2,444
32535	CBU150JA	\$2,473
32538	CBU180FA	\$2,760
32540	CBU180HA	\$2,787
32542	CBU180JA	\$2,829
32544	CBU180KA	\$2,909
32547	CBU200FA	\$3,203
32549	CBU200HA	\$3,229
32553	CBU200JA	\$3,270
32555	CBU200KA	\$3,348
32557	CBU245HA	\$3,845
32559	CBU245JA	\$3,886
32561	CBU245KA	\$3,964
32562	CBU245MA	\$4,398
32563	CBU245OA	\$4,495
32564	CBU245PA	\$5,114
32566	CBU300HA	\$5,847
32568	CBU300JA	\$5,886
32573	CBU300KA	\$5,917
32574	CBU300MA	\$6,437
32575	CBU300OA	\$6,618
32576	CBU300PA	\$7,411
32578	CBU365KA	\$6,695
32580	CBU365OA	\$7,127
32581	CBU365PA	\$8,059

### Optional Accessories 8" Curb

EDP No.	Catalog No.	List Price
31102	PACA20-8	\$223
31107	PACA23.75-8	\$252
31112	PACA27-8	\$265
31115	PACA32-8	\$300
31118	PACA39-8	\$365
31121	PACA43-8	\$391

#### EDP No. Used with CBU Models No.

31102	CBU130CA, CBU130DA, CBU130FA
31107	CBU150DA, CBU150FA, CBU150HA, CBU150JA
31112	CBU180FA, CBU180HA, CBU180JA, CBU180KA, CBU180MA, CBU200FA, CBU200HA, CBU200JA, CBU200KA, CBU200MA
31115	CBU245HA, CBU245JA, CBU245KA, CBU245MA, CBU245OA
31118	CBU300JA, CBU300KA, CBU300MA, CBU300OA, CBU300PA
31121	CBU365JA, CBU365KA, CBU365MA, CBU365OA, CBU365PA

### 12" Curb

EDP No.	Catalog No.	List Price
31103	PACA20-12	\$241
31108	PACA23.75-12	\$273
31113	PACA27-12	\$287
31116	PACA32-12	\$325
31119	PACA39-12	\$395
31122	PACA43-12	\$423

#### EDP No. Used with CBU Models No.

31103	CBU130CA, CBU130DA, CBU130FA
31108	CBU150DA, CBU150FA, CBU150HA, CBU150JA
31113	CBU180FA, CBU180HA, CBU180JA, CBU180KA, CBU180MA, CBU200FA, CBU200HA, CBU200JA, CBU200KA, CBU200MA
31116	CBU245HA, CBU245JA, CBU245KA, CBU245MA, CBU245OA
31119	CBU300JA, CBU300KA, CBU300MA, CBU300OA, CBU300PA
31122	CBU365JA, CBU365KA, CBU365MA, CBU365OA, CBU365PA

### 18" High Ventilated Curb

EDP No.	Catalog No.	List Price
31104	PACA20-18V	\$522
31109	PACA23.75-18V	\$566
31114	PACA27-18V	\$585
31117	PACA32-18V	\$639
31120	PACA39-18V	\$735
31123	PACA43-18V	\$774

#### EDP No. Used with CBU Models No.

31104	CBU130CA, CBU130DA, CBU130FA
31108	CBU150DA, CBU150FA, CBU150HA, CBU150JA
31113	CBU180FA, CBU180HA, CBU180JA, CBU180KA, CBU180MA, CBU200FA, CBU200HA, CBU200JA, CBU200KA, CBU200MA
31116	CBU245HA, CBU245JA, CBU245KA, CBU245MA, CBU245OA
31119	CBU300JA, CBU300KA, CBU300MA, CBU300OA, CBU300PA
31122	CBU365JA, CBU365KA, CBU365MA, CBU365OA, CBU365PA

### Damper - Gravity

EDP No.	Catalog No.	Ship Wt.	List Price
32453	BD16.75A	4	\$81
32455	BD29A	6	\$161
32456	BD23.75A	7	\$124
32518	BD37A	9	\$153
32457	BD44A	16	\$246
32458	BD39.75A	18	\$268

#### EDP No. Used with CBU Models No.

32455	CBU150DA, CBU150FA, CBU150HA, CBU150JA
32456	CBU180FA, CBU180HA, CBU180JA, CBU180KA, CBU180MA, CBU200HA, CBU200JA, CBU200KA, CBU200MA, CBU200OA
32518	CBU245HA, CBU245JA, CBU245KA, CBU245MA, CBU245OA, CBU245PA
32457	CBU300HA, CBU300JA, CBU300KA, CBU300MA, CBU300OA, CBU300PA

### Damper - Motor Kit

EDP No.	Catalog No.	List Price
94283	Motor Kit	\$252
94282	Motor Kit	\$324

#### EDP No. Used with CBU Models No.

94283	CBU130CA, CBU130DA, CBU130FA, CBU150DA, CBU150FA
94282	CBU150HA, CBU150JA, CBU180FA, CBU180HA, CBU180JA, CBU180KA, CBU180MA, CBU200HA, CBU200JA, CBU200KA, CBU200MA, CBU200OA, CBU245HA, CBU245JA, CBU245KA, CBU245MA, CBU245OA, CBU245PA, CBU300HA, CBU300JA, CBU300KA, CBU300MA, CBU300OA, CBU300PA

### Wall Mount Damper

EDP No.	Catalog No.	List Price
32453	BD16.75A	\$81
32455	BD29A	\$161
32456	BD23.75A	\$124
32518	BD37A	\$153

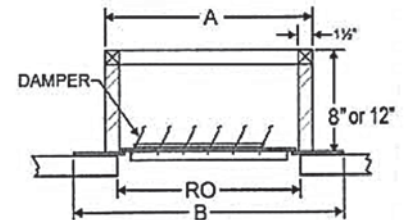
#### EDP No. Used with CBU Models No.

32453	CBU130CA, CBU130DA, CBU130FA
32455	CBU150DA, CBU150FA, CBU150HA, CBU150JA
32456	CBU180FA, CBU180HA, CBU180JA, CBU180KA, CBU180MA, CBU200HA, CBU200JA, CBU200KA, CBU200MA, CBU200OA
32518	CBU245HA, CBU245JA, CBU245KA, CBU245MA

### WALL MOUNT BRACKETS AVAILABLE (through CBU245-MA) - CONTACT FACTORY

#### CURB DIMENSIONS

Curb Cat. No.	Ship Wt.	A Sq.	B Sq.	Roof Opening	Damper Cat. No.
PACA20	20	20"	24"	16"	BD16.75A
PACA23.75	23	23.75"	27.75"	20"	BD29A
PACA27	28	27"	31"	24"	BD23.75A
PACA32	39	32"	36"	28"	BD37A
PACA39	39	39"	43"	36"	BD44A
PACA43	45	43"	47"	40"	BD39.75A



### Accessories

EDP No.	Catalog No.	Description	List Price
62000	Curb Hinge	Curb Hinge	\$172
62002	Bird Screen	Bird Screen	\$194
62003	Grease Box	Grease Box	\$194

**NOTE:** Cannot use a Bird Screen and a Grease Box on the same fan.

**NOTES:** Non-Vented Curbs Available. Consult factory. Pitched and Peaked Curbs available.

**For Pitched Roof Curb price, multiply flat roof curb price by 1.67.**

**For Peaked Roof Curb price, multiply flat roof curb price by 2.22.**

**Please specify Pitched or Peaked when ordering.**

Metal roofs, consult factory for sizing and pricing.

# High Pressure Belt Drive Centrifugal Upblast Exhaust Fans

## MODEL CBU-HP

Designed for High Static Pressure Installations

### 1 Year Warranty - FEATURES

- Non-Overloading Backward Inclined Aluminum Wheel
- Variable Pitch Motor Pulley for Field Adjustment
- AMCA Licensed for Sound and Air
- Emergency Disconnect Switch Standard
- Suitable for Wall Mount up through CBU-HP24!
- ETL Listed for Over Cooking and Grease Laden

"Airmaster Fan certifies that Model CBU-HP shown herein is (or are) licensed to bear the AMCA Seal. The ratings shown are based on tests and procedures performed in accordance with AMCA Publication 211 and AMCA Publication 311 and comply with the requirements of the AMCA Certified Ratings Program."

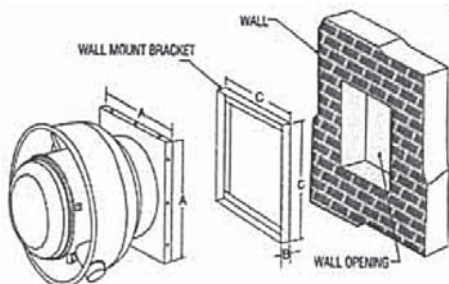


Catalog No.	Wheel Dia.	HP	Fan RPM	Capacity (CFM) at "S.P.								Max Sones	Ship Wt.
				1/2"	3/4"	1"	1 1/2"	2"	2 1/4"	2 1/2"	2 3/4"		
CBU-HP150DA	15"	1/3	1200	1540	1310	900	-	-	-	-	-	12.3	130
CBU-HP150FA	15"	1/2	1400	1900	1750	1550	800	-	-	-	-	15.9	130
CBU-HP150HA	15"	3/4	1600	2250	2110	1990	1650	700	-	-	-	20.0	140
CBU-HP150JA	15"	1	1800	2590	2485	2360	2100	1750	1490	1000	-	23.0	140
CBU-HP180FA	18"	1/2	1000	2375	2060	1625	-	-	-	-	-	10.3	150
CBU-HP180HA	18"	3/4	1200	3050	2800	2590	1750	-	-	-	-	13.4	160
CBU-HP180JA	18"	1	1300	3450	3250	3100	2500	-	-	-	-	16.3	160
CBU-HP180KA	18"	1-1/2	1400	3800	3450	3300	2810	2130	-	-	-	22.0	180
CBU-HP200HA	20"	3/4	1000	3100	2750	2400	1100	-	-	-	-	13.1	165
CBU-HP200JA	20"	1	1100	3500	3200	2850	2250	-	-	-	-	16.2	165
CBU-HP200KA	20"	1-1/2	1200	3875	3700	3375	2800	1750	-	-	-	21.0	185
CBU-HP245JA	24"	1	800	4400	4000	3250	-	-	-	-	-	14.8	210
CBU-HP245KA	24"	1-1/2	1000	5750	5500	5200	4300	-	-	-	-	17.1	230
CBU-HP245OA	24"	3	1200	7200	6900	6700	6200	5350	5000	4400	4127	27.0	240
CBU-HP300HA	30"	3/4	500	4750	3600	-	-	-	-	-	-	10.0	350
CBU-HP300KA	30"	1-1/2	600	6250	5600	4750	-	-	-	-	-	15.6	370
CBU-HP300MA	30"	2	700	7700	7200	6600	5000	-	-	-	-	18.0	380
CBU-HP300OA	30"	3	800	9000	8550	8200	7200	5500	-	-	-	22.0	380
CBU-HP300PA	30"	5	900	10300	9950	9550	8800	7800	7300	6500	-	29.0	420

\*Performance shown is for installation type A: Free inlet, Free outlet. Performance ratings do not include the effects of appurtenances in the airstream. Power rating (BHP) does not include transmission losses. The sound ratings shown are loudness values in fan sones at 5 ft (1.5 m) in a hemispherical free field calculated per AMCA Standard 301. Values shown are for Installation Type A: Free inlet hemispherical sone levels.

### CBU WALL MOUNTING DETAILS

Model	A	C	Wall Opening
CBU-HP150	24-3/4	24-1/4	20
CBU-HP180	28	27-1/2	24
CBU-HP200	28	27-1/2	24
CBU-HP245	33	32-1/2	28



### FAN DIMENSIONS

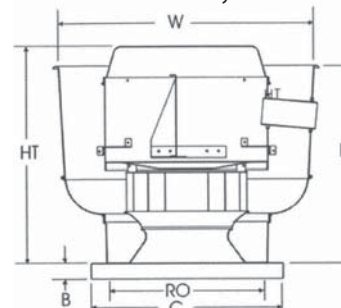
Wheel Dia.	Catalog Number	Ht.	W.	B	C	F	RO or WO
15"	CBU-HP 150	30.5"	33.75"	2"	24-3/4"	23"	20"
18"	CBU-HP 180	33.75"	39.38"	2"	28"	22.63"	24"
20"	CBU-HP 200	33.38"	38.68"	2"	28"	29.5"	24"
24"	CBU-HP 245	37.5"	43.38"	2"	33"	30.68"	28"
30"	CBU-HP 300	40"	52.75"	2"	40"	33.5"	36"

\* Wall mount not available for 30" size

### NOTES:

50Hz motors available.

Special custom order product. Once in production, noncancelable, non-returnable under any circumstance.





# High Pressure Belt Drive Centrifugal Upblast Exhaust

## MODEL CBU-HP

Single Speed (ODP)

1 Ph 115/230V 1 Phase

EDP No.	Catalog No.	List Price
32582	CBU-HP150DA	\$2,497
32583	CBU-HP150FA	\$2,529
32585	CBU-HP150HA	\$2,581
32587	CBU-HP150JA	\$2,680
32589	CBU-HP180FA	\$2,844
32593	CBU-HP180HA	\$2,897
32595	CBU-HP180JA	\$2,997
32597	CBU-HP180KA	\$3,162
32599	CBU-HP180MA	\$4,073
32601	CBU-HP200HA	\$3,369
32603	CBU-HP200JA	\$3,463
32605	CBU-HP200KA	\$3,618
32607	CBU-HP200MA	\$4,287
32613	CBU-HP245HA	\$4,068
32615	CBU-HP245JA	\$4,165
32617	CBU-HP245KA	\$4,325
32619	CBU-HP245MA	\$4,913
32621	CBU-HP245OA	\$5,783
32624	CBU-HP300HA	\$5,913
32628	CBU-HP300KA	\$6,169
32632	CBU-HP300MA	\$6,758
32634	CBU-HP300OA	\$7,627

## 208/230/460V 3 Phase

EDP No.	Catalog No.	List Price
32584	CBU-HP150FA	\$2,516
32586	CBU-HP150HA	\$2,543
32588	CBU-HP150JA	\$2,588
32592	CBU-HP180FA	\$2,831
32594	CBU-HP180HA	\$2,859
32596	CBU-HP180JA	\$2,904
32598	CBU-HP180KA	\$2,988
32600	CBU-HP180MA	\$3,199
32602	CBU-HP200HA	\$3,331
32604	CBU-HP200JA	\$3,373
32606	CBU-HP200KA	\$3,452
32608	CBU-HP200MA	\$3,876
32614	CBU-HP245HA	\$4,029
32616	CBU-HP245JA	\$4,073
32618	CBU-HP245KA	\$4,154
32620	CBU-HP245MA	\$4,608
32622	CBU-HP245OA	\$4,709
32623	CBU-HP245PA	\$5,357
32625	CBU-HP300HA	\$6,297
32629	CBU-HP300KA	\$5,998
32633	CBU-HP300MA	\$6,139
32635	CBU-HP300OA	\$7,465
32636	CBU-HP300PA	\$7,302

## Optional Accessories

### 8" Curb

EDP No.	Catalog No.	List Price
31107	PACA23.75-8	\$252
31112	PACA27-8	\$265
31115	PACA32-8	\$300
31118	PACA39-8	\$365

### EDP No. Used with CBU-HD Models No.

31107	CBU-HP150DA, CBU-HP150FA, CBU-HP150HA, CBU-HP150JA
31112	CBU-HP180FA, CBU-HP180HA, CBU-HP180JA, CBU-HP180KA, CBU-HP180MA, CBU-HP200HA, CBU-HP200JA, CBU-HP200KA, CBU-HP200MA, CBU-HP200OA
31115	CBU-HP245HA, CBU-HP245JA, CBU-HP245KA, CBU-HP245MA, CBU-HP245OA, CBU-HP245PA
31118	CBU-HP300HA, CBU-HP300KA, CBU-HP300MA, CBU-HP300OA, CBU-HP300PA

### 12" Curb

EDP No.	Catalog No.	List Price
31108	PACA23.75-12	\$273
31113	PACA27-12	\$287
31116	PACA32-12	\$325
31119	PACA39-12	\$395

### EDP No. Used with CBU-HD Models No.

31108	CBU-HP150DA, CBU-HP150FA, CBU-HP150HA, CBU-HP150JA
31113	CBU-HP180FA, CBU-HP180HA, CBU-HP180JA, CBU-HP180KA, CBU-HP180MA, CBU-HP200HA, CBU-HP200JA, CBU-HP200KA, CBU-HP200MA, CBU-HP200OA
31116	CBU-HP245HA, CBU-HP245JA, CBU-HP245KA, CBU-HP245MA, CBU-HP245OA, CBU-HP245PA
31119	CBU-HP300HA, CBU-HP300KA, CBU-HP300MA, CBU-HP300OA, CBU-HP300PA

### 18" High Ventilated Curb

EDP No.	Catalog No.	List Price
31109	PACA23.75-18V	\$566
31114	PACA27-18V	\$585
31117	PACA32-18V	\$637
31120	PACA39-18V	\$735

### EDP No. Used with CBU-HD Models No.

31109	CBU-HP150DA, CBU-HP150FA, CBU-HP150HA, CBU-HP150JA
31114	CBU-HP180FA, CBU-HP180HA, CBU-HP180JA, CBU-HP180KA, CBU-HP180MA, CBU-HP200HA, CBU-HP200JA, CBU-HP200KA, CBU-HP200MA, CBU-HP200OA
31117	CBU-HP245HA, CBU-HP245JA, CBU-HP245KA, CBU-HP245MA, CBU-HP245OA, CBU-HP245PA
31120	CBU-HP300HA, CBU-HP300KA, CBU-HP300MA, CBU-HP300OA, CBU-HP300PA

### Damper - Gravity

EDP No.	Catalog No.	Ship Wt.	List Price
32455	BD29A	6	\$161
32456	BD23.75A	7	\$124
32518	BD37A	9	\$153
32457	BD44A	16	\$246

### EDP No. Used with CBD Models No.

32455	CBU-HP150DA, CBU-HP150FA, CBU-HP150HA, CBU-HP150JA
32456	CBU-HP180FA, CBU-HP180HA, CBU-HP180JA, CBU-HP180KA, CBU-HP180MA, CBU-HP200HA, CBU-HP200JA, CBU-HP200KA, CBU-HP200MA, CBU-HP200OA
32518	CBU-HP245HA, CBU-HP245JA, CBU-HP245KA, CBU-HP245MA, CBU-HP245OA, CBU-HP245PA
32457	CBU-HP300HA, CBU-HP300KA, CBU-HP300MA, CBU-HP300OA, CBU-HP300PA

## Damper - Motor Kit

EDP No.	Catalog No.	List Price
94283	Motor Kit	\$252
94282	Motor Kit	\$324

### EDP No. Used with CBU Models No.

94283	CBU-HP130CA, CBU-HP130DA, CBU-HP130FA, CBU-HP150DA, CBU-HP150FA
94282	CBU-HP150HA, CBU-HP150JA, CBU-HP180FA, CBU-HP180HA, CBU-HP180JA, CBU-HP180KA, CBU-HP180MA, CBU-HP200HA, CBU-HP200JA, CBU-HP200KA, CBU-HP200MA, CBU-HP200OA, CBU-HP245HA, CBU-HP245JA, CBU-HP245KA, CBU-HP245MA, CBU-HP245OA, CBU-HP245PA, CBU-HP300HA, CBU-HP300KA, CBU-HP300MA, CBU-HP300OA, CBU-HP300PA

## Wall Mount Damper

EDP No.	Catalog No.	List Price
32455	BD29A	\$161
32456	BD23.75A	\$124
32518	BD37A	\$153

### EDP No. Used with CBU Models No.

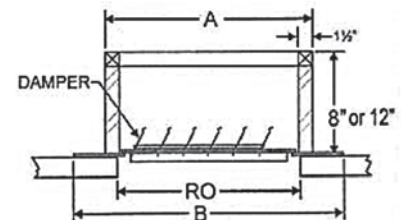
32455	CBU-HP150DA, CBU-HP150FA, CBU-HP150HA, CBU-HP150JA
32456	CBU-HP180FA, CBU-HP180HA, CBU-HP180JA, CBU-HP180KA, CBU-HP180MA, CBU-HP200HA, CBU-HP200JA, CBU-HP200KA, CBU-HP200MA, CBU-HP200OA
32518	CBU-HP245HA, CBU-HP245JA, CBU-HP245KA, CBU-HP245MA

The sound ratings shown are loudness values in fan sones at 5 ft. (1.5m) in a hemispherical free field calculated per AMCA Standard 301. Values shown are for installation Type A: Free inlet fan sone levels. Sones are given for the highest value over catalog range. Backdraft Damper not for use in kitchen exhaust applications.

## WALL MOUNT BRACKETS AVAILABLE (through CBU-HP245-MA) - CONTACT FACTORY

## CURB DIMENSIONS

Curb Cat. No.	Ship Wt.	A Sq.	B Sq.	Roof Opening	Damper Cat. No.
PACA20	20	20"	24"	16"	BD16.75A
PACA23.75	23	23.75"	27.75"	20"	BD29A
PACA27	28	27"	31"	24"	BD23.75A
PACA32	39	32"	36"	28"	BD37A
PACA39	39	39"	43"	36"	BD44A
PACA43	45	43"	47"	40"	BD39.75A



## Accessories

EDP No.	Catalog No.	Description	List Price
62000	Curb Hinge	Curb Hinge	\$172
62002	Bird Screen	Bird Screen	\$194
62003	Grease Box	Grease Box	\$194

NOTE: Cannot use a Bird Screen and a Grease Box on the same fan.

NOTES: Non-Vented Curbs Available. Consult factory.

Pitched and Peaked Curbs available.

For Pitched Roof Curb price, multiply flat roof curb price by 1.67.

For Peaked Roof Curb price, multiply flat roof curb price by 2.22.

Please specify Pitched or Peaked when ordering.

Metal roofs, consult factory for sizing and pricing.

## Direct Drive Centrifugal Upblast / Wall

### MODEL CDU Roof and Wall Mount Versatility 1 Year Warranty - FEATURES

- High Vertical Discharge - Prevents Recirculation
- Emergency Disconnect Switch Standard
- Non-Overloading, Backward Inclined Wheel
- Variable Speed Control Standard
- Rubber Vibration Isolators for Quiet Operation
- Compact Size for Easy Installation



"Airmaster Fan certifies that Model CDU shown herein is (or are) licensed to bear the AMCA Seal. The ratings shown are based on tests and procedures performed in accordance with AMCA Publication 211 and AMCA Publication 311 and comply with the requirements of the AMCA Certified Ratings Program."

### PERFORMANCE

Catalog No.	HP	RPM	Tip Speed Sones	Capacity (CFM) at "S.P.													
				Max 0"	1/8"	1/4"	3/8"	1/2"	5/8"	3/4"	1"	1-1/4"	1-1/2"				
**CDU100-2	.08	1600	3770	9.0	537	493	447	398	343	280	204						
CDU120-2	.18	1525	4192	11.0	870	840	760	700	600	500	360						
CDU300B-2	1/4	1525	4691	12.0	1210	1150	1100	1050	990	900	840	610					
CDU330B-2	1/3	1700	5229	14.7	1390	1345	1270	1220	1150	1060	1000	840	650				
CDU500B-2	1/2	1650	5940	18.9	2100		2000		1800		1600	1350	1100	750			

\*\*CDU100-2 UL 705 Listed.

\*Performance shown is for installation type A: Free inlet, Free outlet. Performance ratings do not include the effects of appurtenances in the airstream. Power rating (BHP) does not include transmission losses. The sound ratings shown are loudness values in fan sones at 5 ft (1.5 m) in a hemispherical free field calculated per AMCA Standard 301. Values shown are for Installation Type A: Free inlet hemispherical sone levels. Variable speed control allows for 50% range of stated CFM. Speed control can be wired for low or high speed. Performance shown is for installation Type A; Free Inlet, Free Outlet. Performance includes effect of bird screen in the airstream. Speed (RPM) shown is nominal and performance is based on actual speed of test.

### 115V Models & Optional Curbs

#### ODP 1 Speed 1 Phase 115V

EDP No.	Catalog No.	Wheel Dia.	Ship Wt.	List Price
32637	CDU100-2	8-3/4"	30	\$942
32638	CDU120-2	10-1/2"	40	\$1,346
32642	CDU300B-2	11-3/4"	50	\$1,530
32728	CDU330B-2	11-3/4"	50	\$1,568
32643	CDU500B-2	13-3/4"	55	\$1,821

#### 8" Curb

EDP No.	Catalog No.	Curb Size	Used With CDU Models	List Price
31100	PACA17.75-8	8"	CDU100-2, CDU120-2	\$200
31102	PACA20-8	8"	CDU300B-2, CDU330B-2, CDU550B-2	\$223

#### 12" Curb

EDP No.	Catalog No.	Curb Size	Used With CDU Models	List Price
31101	PACA17.75-12	12"	CDU100-2, CDU120-2	\$217
31103	PACA20-12	12"	CDU300B-2, CDU330B-2, CDU550B-2	\$241

### Wall/Roof Mount Gravity Damper

EDP No.	Catalog No.	Used With CDU Models	Ship Wt.	List Price
32452	BD14.5A	CDU100-2, CDU120-2	3	\$72
32453	BD16.75A	CDU300B-2, CDU330B-2, CDU550B-2	4	\$81

### Roof Mount Damper Motor Kit

EDP No.	Catalog No.	Used With CDU Models	List Price
94283	Motor Kit	CDU100-2, CDU120-2, CDU300B-2, CDU330B-2, CDU550B-2	\$252

### Accessories

EDP No.	Catalog No.	Description	List Price
62000	Curb Hinge	Curb Hinge	\$172
62001	Bird Screen	Bird Screen - for CDU 100 - 120	\$194
62002	Bird Screen	Bird Screen - for CDU 300 - 500	\$194
62003	Grease Box	Grease Box	\$194

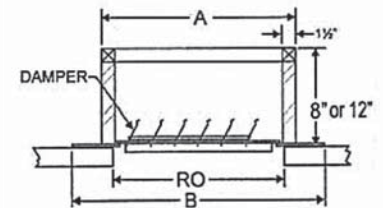
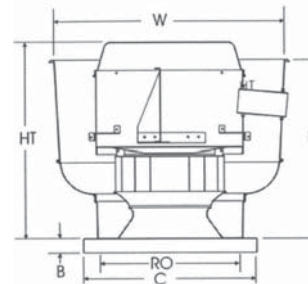
NOTE: Cannot use a Bird Screen and a Grease Box on the same fan.

### FAN DIMENSIONS

Wheel Dia.	Catalog Number	Ht.	W.	B	C	F	RO or WO
8-3/4"	CDU100-2	14-1/2"	17-3/4"	2"	19"	9-1/2"	13"
10-1/2"	CDU120-2	18"	22"	2"	19"	14-1/2"	13"
11-3/4"	CDU300B-2	25-1/4"	25-1/2"	2"	21"	18-1/2"	16"
11-3/4"	CDU330B-2	25-1/4"	25-1/2"	12"	21"	18-1/2"	16"
13-3/4"	CDU500B-2	27-1/4"	28-7/8"	2"	21"v	21-1/2"	16"

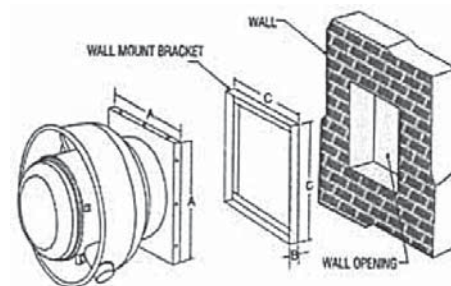
### CURB DIMENSIONS

Curb Cat. No.	Ship Wt.	A Sq.	B Sq.	Roof Opening	Damper Cat. No.
PACA17.75	17	17-3/4"	23-3/4"	13"	BD14.5A
PACA20	20	20"	24"	16"	BD16.75A



### CDU WALL MOUNTING DETAILS

MODEL	A	C	WO	Bracket EDP
CDU100-2	19	18-1/2	13	32717
CDU120-2	19	18-1/2	13	32717
CDU300B-2	21	20-1/2	16	32718
CDU330B-2	21	20-1/2	16	32718
CDU500B-2	21	20-1/2	16	32718



### NOTES:

Pitched and Peaked Curbs available. For Pitched Roof Curb price, multiply flat roof curb price by 1.67. For Peaked Roof Curb price, multiply flat roof curb price by 2.22. Please specify Pitched or Peaked when ordering.

Metal roofs, consult factory for sizing and pricing.

Special custom order product. Once in production, non-cancellable, nonreturnable under any circumstance.

WALL MOUNT BRACKETS AVAILABLE - CONTACT FACTORY

## Gravity Relief Vents

Special custom order product. Once in production, non-cancellable, non-returnable under any circumstance.



### MODEL EGRV

EGRV Gravity Non-Powered Relief Vent (Unit Has No Motor)

EDP No.	Catalog No.	Approximate Throat Dia.	CFM*	Ship Wt.	List Price
32443	EGRV120	12"	1000	21	\$440
32444	EGRV140	14"	1475	33	\$969
32445	EGRV180	18"	2400	55	\$1,271

\*Approximate CFM at 1200 FPM throat velocity.

### Curb

EDP No.	Catalog No.	Used with EGRV Model	List Price
31100	PACA17.75-8	EGRV120	\$200
31102	PACA20-8	EGRV140	\$223
31110	PACA25-8	EGRV180	\$258

### Exhaust Backdraft Damper w/ Motor Kit\*\*

EDP No.	Catalog No.	Used with EGRV Model	List Price
32452	BD14.5A	EGRV120	\$72
32453	BD16.75A	EGRV140	\$81
32454	BD21.75A	EGRV180	\$113
94283	Motor Kit	EGRV120, EGRV140, EGRV180	\$252

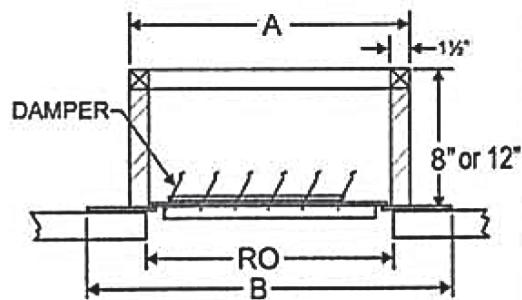
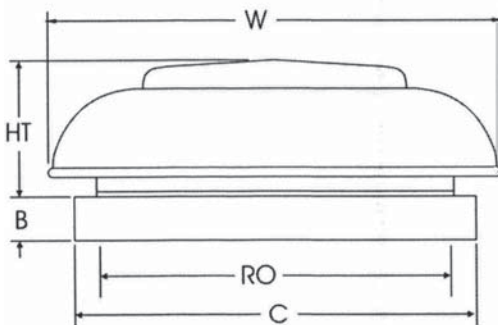
\*\*Use motorized damper only. Bird Screen standard on EGRV models.

### DIMENSIONS

Catalog No.	Ht.	W	B	C	Roof Opening	Approx. Throat Opening in Sq. Ft.
EGRV120	11"	20.3"	2"	18-1/2"	13"	.79
EGRV140	14"	27.3"	2"	21"	16"	1.07
EGRV180	16"	33.5"	2"	26"	20"	1.97

### CURB DIMENSIONS

Curb Cat. No.	Ship Wt.	A Sq.	B Sq.	Roof Opening	Damper Cat. No.	Ship Wt.
PACA17.75	17	17-3/4"	23-3/4"	13"	BD14.5A	3
PACA20	20	20"	24"	16"	BD16.75A	4
PACA25	26	25"	29"	20"	BD21.75A	5



## MODEL CHELSEA HVB

1 Year Warranty  
Quietest Whole House Fan Ever Made



### FEATURES

- Compliments Air Conditioning
- Complete Household Ventilation From One Fan
- Horizontal or Vertical Installation
- Two Speed Switch Included
- Efficient Removal of Large Volumes of Air
- Whisper Quiet, Spring Floating Action
- Safety Fuse Cut Off Switch Turns Off Power to Fan When Air Temperature Reaches 165°



### PERFORMANCE

Prop Dia.	0" S.P.	1/10" S.P.	Fan RPM	Dimensions L x W x D	Ship Wt.
24"	5100/3400	4100/2800	600/400	27-1/2 x 27-1/2 x 16	63
30"	7400/4900	5800/3900	480/320	34-1/2 x 34-1/2 x 16	75
36"	9750/6500	7500/5050	400/265	40-1/2 x 40-1/2 x 16-1/8	89

### 115V, 2 Speed Semi-Enclosed Motors

EDP No.	Catalog No.	Prop Dia.	HP	List Price
32687	HVB24T	24"	1/3	\$1,758
32688	HVB30T	30"	1/3	\$1,847
32689	HVB36T	36"	1/3	\$2,138

Accessory Package containing springs, canvas boot, hangers hardware included in price. Safety fuse cut off switch turns fan off in the event of fire, also included in price.

### Switches

EDP No.	Catalog No.	Temp. Range	Description	List Price
24830	90015 (G1E1)	-	Time Switch (up to 12 hrs)	\$160
24820	T-1	45° - 85° F	Temp. Switch (Wall Mt.)	\$266
90783	TS631	70° - 140° F	Temp. Switch (Attic Mt.)	\$252

**Note:** The optional switches should not be used with voltages above 115 or motors over 3/4 HP.

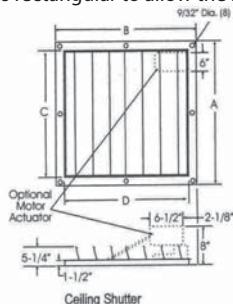
### Optional Ceiling Shutters - White

EDP No.	Catalog No.	Prop Dia.	List Price
32760	AS24A	24"	\$257
32761	AS30A	30"	\$277
32763	AS36A	36"	\$302
32762	AS36R	36"	\$345

### CEILING SHUTTER DIMENSIONS

Catalog No.	A	B	C	D	Framing	Ship Wt.
AS24A	26	26	24	24	24-1/2 x 24-1/2	13
AS30A	34	34	32	32	32-1/2 x 32-1/2	19
AS36A	38	38	36	36	36-1/2 x 36-1/2	24
AS36R	34	42-7/8	32	40-7/8	32-1/2 x 41-3/8	24

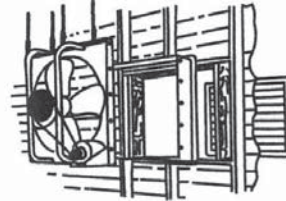
**Note:** The AS36R is rectangular to allow the HVB36 to be used in narrow hallways.



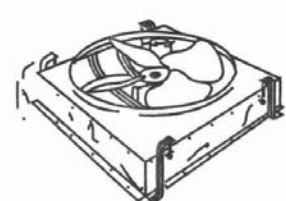
### Optional Motor Conversion Kit With Switch

EDP No.	Catalog No.	Used On	Volt	List Price
99794	ASXP Kit	AS24 - 36	115/230	\$368
99790	A-LXP Kit 1	ALWL 24, 30 & 36	115/230	\$383

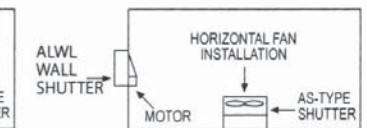
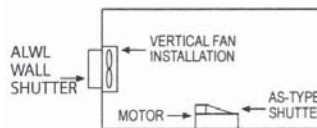
Motorized kits include motor, linkage and switch to energize the louver and/or shutter motor.



Vertical Installation



Horizontal Installation



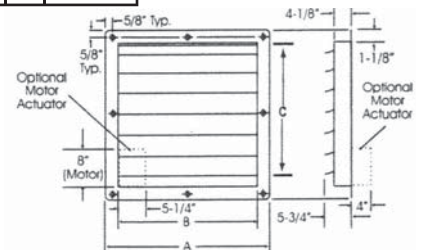
### Optional Wall Shutters

EDP No.	Catalog No.	Prop Dia.	List Price
32695	ALWL24	24"	\$290
32696	ALWL30	30"	\$342
32697	ALWL36	36"	\$286

Attach only to outside wall of house.

### WALL SHUTTER DIMENSIONS - White

Catalog No.	A	B	C	Ship Wt.
ALWL24	27-1/8	24	24	11
ALWL30	33-1/4	30	30	17
ALWL36	39-1/4	36	36	20



Wall Shutter

### FAN/ACCESSORY SIZING

Zone Number			Prop Dia.	ALWL Wall Shutter Size	AS Ceiling Shutter Size
House Volume	Cubic Feet				
1	2	3	24	24	24
4000	6000	8000	30	30	30
6000	9000	12000	36	36	36†
7000	11000	15000			

Determine your house location on the map. Find the zone number, For your area 1, 2, or 3 - denoted by the heavy lines on the map.

Calculate your house volume.

Find the zone number and the volume in chart. Your fan and accessory size is shown in the right hand column.

†Rectangular size AS36R available for narrow halls, see Ceiling Shutter Dimension chart.



## AIF In-Line Duct Fans

### 5 Year Warranty

#### FEATURES

- Heavy gauge, drawn steel housing with baked epoxy finish
- Exceptionally quiet and efficient BC impeller
- Precision balanced for vibration-free operation
- Automatic reset thermal overload protection
- 120V operation, other voltages available
- Speed controllable
- Size 4" to 14", 147 CFM to 1,400 CFM

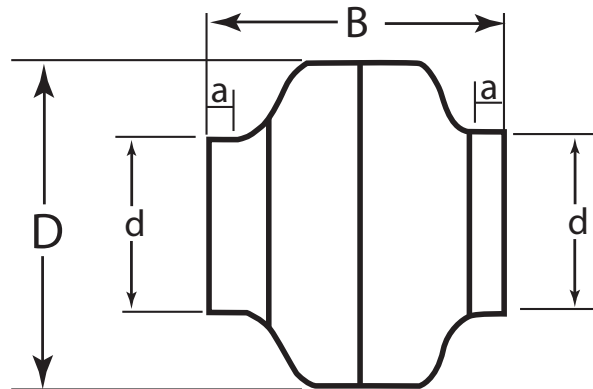


#### PERFORMANCE / PRICING

EDP No.	Catalog No.	Watts	RPM	Capacity (CFM) @ "S.P.									List Price
				0	0.2	0.4	0.6	0.8	1.0	1.2	1.5	2.0	
23202	AIF100A ES	43.5	2580	147	130	107	82	57	34	11			\$207
23190	AIF100B	83.4	2620	150	140	127	112	94	74	53	23		\$212
23203	AIF125A ES	44.4	2520	179	150	121	87	49	14				\$215
23191	AIF125B	85.4	2750	183	160	141	122	101	77	51	14		\$218
23204	AIF150A ES	46.8	2390	235	190	148	97	44					\$221
23192	AIF150B ES	89.2	2450	308	260	216	175	139	108	81	47		\$302
23205	AIF200A ES	84.5	2500	368	300	234	184	149	114	70			\$309
23193	AIF200B ES	188	2550	579	520	453	387	329	282	245	206	154	\$335
23206	AIF250 ES	197	2470	616	550	488	431	379	330	286	227	143	\$423
23207	AIF300A ES	206	2450	780	700	595	420	330	290	255	210	132	\$523
23194	AIF300B ES	312	2780	970	910	803	680	559	453	367	273	164	\$605

#### DIMENSIONS IN INCHES

MODEL	D (in.)	d (in.)	a (in.)	B (in.)	Ship Weight (lbs)
AIF100A ES	9.5	3.9	1.0	8.3	7.5
AIF100B	9.5	3.9	1.0	8.3	8.0
AIF125A ES	9.5	4.8	1.0	8.3	7.5
AIF125B	9.5	4.8	1.0	8.3	7.5
AIF150A ES	9.5	5.8	1.0	8.3	7.5
AIF150B ES	13.2	5.8	1.0	9.1	12.5
AIF200A ES	13.2	7.8	1.0	9.1	12.0
AIF200B ES	13.2	7.8	1.0	9.1	15.0
AIF250 ES	13.2	9.8	1.0	9.1	15.0
AIF300A ES	15.9	11.8	1.2	11.8	18.0
AIF300B ES	15.9	11.8	1.2	11.8	18.0



#### AIF In-Line Duct Fan Accessories

EDP No.	Catalog No.	Ship Wt.	Description	List Price
23201	PS-DB	1.5	Pressure Sensing Switch Kit	\$130
24855	485210	1	Variable Speed Controller, 1 Phase, 5 amp speed control	\$74
23163	DF-4	1	4" Diffuser Vent	\$17
23177	DF-5	1	5" Diffuser Vent	\$18
23164	DF-6	1	6" Diffuser Vent	\$20
23170	DF-8	1.4	8" Diffuser Vent	\$32
23180	DF-10	1.8	10" Diffuser Vent	\$40
23179	DF-12	2	12" Diffuser Vent	\$48
23165	BD-4	1	4" Backdraft Damper	\$12
23166	BD-6	1	6" Backdraft Damper	\$16
23171	BD-8	1.2	8" Backdraft Damper	\$26
23172	BD-10	1.4	10" Backdraft Damper	\$40
23178	BD-12	1.6	12" Backdraft Damper	\$60



Speed Controls



Pressure Switches



Supply & Exhaust Grills

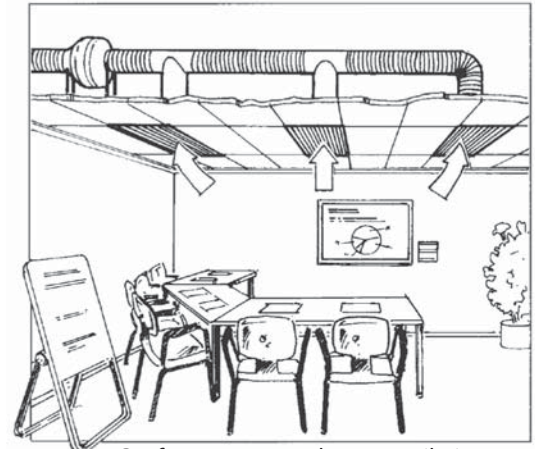


Backdraft Dampers

## MODEL AIF Applications

### TYPICAL APPLICATIONS

	Residential	Commercial	Industrial
Bathroom Exhaust	X	X	X
Locker Room Exhaust		X	X
Kitchen Exhaust (not over range hood)	X		
Clothes Dryer Exhaust	X	X	
Primary Exhaust Fan	X	X	X
Duct Booster	X	X	X
Warm Air Transfer	X	X	X
General Ventilation	X	X	X
Conference Room Exhaust		X	
Smoke Areas	X	X	X
Cafeteria Exhaust		X	
Humidity & Moisture Removal	X	X	X
Equipment Cooling		X	X
Make Up Air	X	X	X
Welding Fume Removal			X
Spot Ventilation	X	X	X
Booster Fan	X	X	X



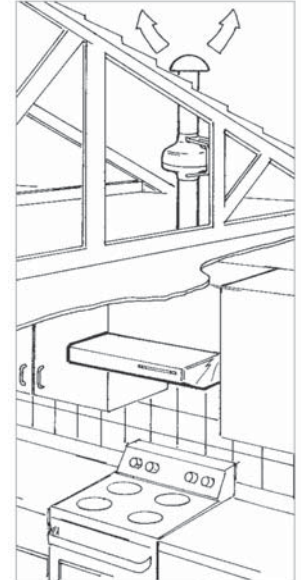
Conference room exhaust ventilation



(AIF Fan) transferring conditioned air to a new room addition

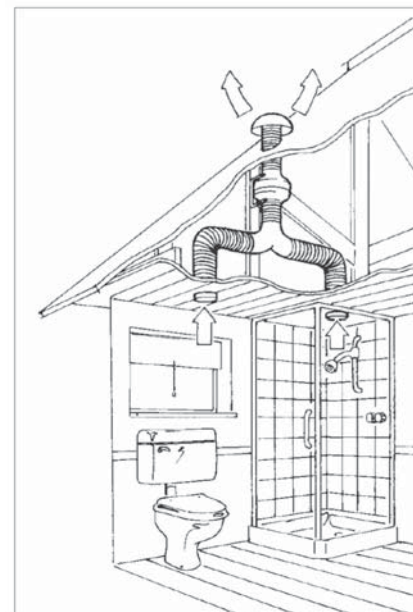


(In-Line) Fan assisted dryer exhaust



(In-Line) Fan rangehood exhaust

FEATURES	BENEFITS
EXTERNAL ROTOR MOTOR	COMPACT DESIGN
BACKWARD CURVE WHEEL	HIGH EFFICIENCY NON-OVERLOADING
DYNAMICALLY BALANCED WHEEL	LOW NOISE AND VIBRATION
DIE CAST ALUMINUM MOTOR BODY	EXCELLENT HEAT DISSIPATION, 100% SPEED CONTROLLABLE, LONG MOTOR LIFE
PERMANENT LUBE BALL BEARINGS	MAINTENANCE FREE/SMOOTH OPERATION
NEMA CLASS B MOTOR INSULATION	INDUSTRIAL QUALITY CONSTRUCTION
THERMAL OVERLOAD MOTOR PROTECTION	SAFETY FEATURE



Multi-ventilating points with one In-Line Fan

# Intake Louvers

## MODEL LE47 - Fixed FIXED LE47 EDP NUMBER / LIST PRICE - ORDER LE47 (Width x Height)



LE47 INTAKE LOUVER (Fixed Blade)

### 1 Year Warranty

### FEATURES

- Extruded Aluminum
- Weather Resistant
- Available in Fixed or Adjustable Blades
- Bird Screen Standard
- Extremely Versatile - For Architectural Designs
- Many Options and Colors Available



### Choosing the proper size LE47

1. Divide the required CFM by the maximum recommended free area velocity (822 FPM).
2. Select a louver from the free area chart that meets the minimum free area requirements.

EXAMPLE: 6000 CFM air flow

Step #1

$$\text{Min. Free Area} = \frac{\text{Design CFM}}{\text{Max Recommended Velocity}} = \frac{6000}{822} = 7.299 \text{ Sq. Ft.}$$

Step #2

From the free area table the approximate louver size is 36" W x 60" H (7.47 Sq. Ft.).

**LE47's are special order items. Orders are non-cancellable and non-returnable.**

### LE47 FREE AREA IN SQUARE FEET

HEIGHT	WIDTH							
	12"	24"	36"	48"	60"	72"	84"	96"
12"	0.29	0.66	1.04	1.41	1.79	2.12	2.49	2.87
24"	0.69	1.59	2.49	3.40	4.30	5.08	5.98	6.88
36"	1.18	2.70	4.22	5.75	7.27	8.61	10.13	11.6
48"	1.68	3.85	6.03	8.21	10.38	12.29	14.47	16.6
60"	2.08	4.77	7.47	10.16	12.85	15.21	17.90	20.6
72"	2.57	5.90	9.24	12.57	15.91	18.82	22.16	25.4
84"	2.97	6.83	10.69	14.55	18.41	21.79	25.65	29.5
96"	3.46	7.94	12.42	16.91	21.39	25.31	29.80	34.2

Free area is the actual open area of the louver, approximately 45% of face area.

EDP No.	Catalog No.	List Price
94322	LE47 Fixed Intake Louver, 12"W X 12"H	\$266
94200	LE47 Fixed Intake Louver, 12"W X 18"H	\$306
94201	LE47 Fixed Intake Louver, 12"W X 24"H	\$353
94202	LE47 Fixed Intake Louver, 12"W X 30"H	\$397
94203	LE47 Fixed Intake Louver, 12"W X 36"H	\$437
94204	LE47 Fixed Intake Louver, 12"W X 42"H	\$508
94205	LE47 Fixed Intake Louver, 12"W X 48"H	\$556
94206	LE47 Fixed Intake Louver, 12"W X 54"H	\$603
94207	LE47 Fixed Intake Louver, 12"W X 60"H	\$651
94208	LE47 Fixed Intake Louver, 12"W X 66"H	\$806
94209	LE47 Fixed Intake Louver, 12"W X 72"H	\$849
94210	LE47 Fixed Intake Louver, 12"W X 78"H	\$897
94211	LE47 Fixed Intake Louver, 12"W X 84"H	\$941
94212	LE47 Fixed Intake Louver, 12"W X 90"H	\$992
94213	LE47 Fixed Intake Louver, 12"W X 96"H	\$1,032
94214	LE47 Fixed Intake Louver, 18"W X 12"H	\$318
94318	LE47 Fixed Intake Louver, 18"W X 18"H	\$369
94387	LE47 Fixed Intake Louver, 18"W X 24"H	\$425
94215	LE47 Fixed Intake Louver, 18"W X 30"H	\$508
94216	LE47 Fixed Intake Louver, 18"W X 36"H	\$576
94217	LE47 Fixed Intake Louver, 18"W X 42"H	\$627
94218	LE47 Fixed Intake Louver, 18"W X 48"H	\$687
94219	LE47 Fixed Intake Louver, 18"W X 54"H	\$746
94220	LE47 Fixed Intake Louver, 18"W X 60"H	\$806
94221	LE47 Fixed Intake Louver, 18"W X 66"H	\$1,008
94222	LE47 Fixed Intake Louver, 18"W X 72"H	\$1,060
94223	LE47 Fixed Intake Louver, 18"W X 78"H	\$1,119
94224	LE47 Fixed Intake Louver, 18"W X 84"H	\$1,171
94225	LE47 Fixed Intake Louver, 18"W X 90"H	\$1,226
94226	LE47 Fixed Intake Louver, 18"W X 96"H	\$1,278
94296	LE47 Fixed Intake Louver, 24"W X 12"H	\$381
94227	LE47 Fixed Intake Louver, 24"W X 18"H	\$452
94315	LE47 Fixed Intake Louver, 24"W X 24"H	\$560
94228	LE47 Fixed Intake Louver, 24"W X 30"H	\$639
94314	LE47 Fixed Intake Louver, 24"W X 36"H	\$718
94229	LE47 Fixed Intake Louver, 24"W X 42"H	\$794
94313	LE47 Fixed Intake Louver, 24"W X 48"H	\$877
94230	LE47 Fixed Intake Louver, 24"W X 54"H	\$953
94231	LE47 Fixed Intake Louver, 24"W X 60"H	\$1,028
94232	LE47 Fixed Intake Louver, 24"W X 66"H	\$1,290
94233	LE47 Fixed Intake Louver, 24"W X 72"H	\$1,365
94234	LE47 Fixed Intake Louver, 24"W X 78"H	\$1,437
94235	LE47 Fixed Intake Louver, 24"W X 84"H	\$1,516
94236	LE47 Fixed Intake Louver, 24"W X 90"H	\$1,588
94237	LE47 Fixed Intake Louver, 24"W X 96"H	\$1,659
94238	LE47 Fixed Intake Louver, 30"W X 12"H	\$397
94239	LE47 Fixed Intake Louver, 30"W X 18"H	\$508
94377	LE47 Fixed Intake Louver, 30"W X 24"H	\$639
94312	LE47 Fixed Intake Louver, 30"W X 30"H	\$746
94240	LE47 Fixed Intake Louver, 30"W X 36"H	\$826
94241	LE47 Fixed Intake Louver, 30"W X 42"H	\$917
94242	LE47 Fixed Intake Louver, 30"W X 48"H	\$996
94243	LE47 Fixed Intake Louver, 30"W X 54"H	\$1,135
94244	LE47 Fixed Intake Louver, 30"W X 60"H	\$1,215
94245	LE47 Fixed Intake Louver, 30"W X 66"H	\$1,294
94246	LE47 Fixed Intake Louver, 30"W X 72"H	\$1,373

94247	LE47 Fixed Intake Louver, 30"W X 78"H	\$1,469
94248	LE47 Fixed Intake Louver, 30"W X 84"H	\$1,603
94249	LE47 Fixed Intake Louver, 30"W X 90"H	\$1,675
94250	LE47 Fixed Intake Louver, 30"W X 96"H	\$1,762
94391	LE47 Fixed Intake Louver, 36"W X 12"H	\$437
94251	LE47 Fixed Intake Louver, 36"W X 18"H	\$576
94349	LE47 Fixed Intake Louver, 36"W X 24"H	\$718
94252	LE47 Fixed Intake Louver, 36"W X 30"H	\$833
94311	LE47 Fixed Intake Louver, 36"W X 36"H	\$921
94293	LE47 Fixed Intake Louver, 36"W X 42"H	\$1,024
94310	LE47 Fixed Intake Louver, 36"W X 48"H	\$1,115
94253	LE47 Fixed Intake Louver, 36"W X 54"H	\$1,278
94254	LE47 Fixed Intake Louver, 36"W X 60"H	\$1,365
94255	LE47 Fixed Intake Louver, 36"W X 66"H	\$1,457
94256	LE47 Fixed Intake Louver, 36"W X 72"H	\$1,548
94257	LE47 Fixed Intake Louver, 36"W X 78"H	\$1,651
94259	LE47 Fixed Intake Louver, 36"W X 84"H	\$1,810
94260	LE47 Fixed Intake Louver, 36"W X 90"H	\$1,897
94261	LE47 Fixed Intake Louver, 36"W X 96"H	\$1,988
94262	LE47 Fixed Intake Louver, 42"W X 12"H	\$508
94263	LE47 Fixed Intake Louver, 42"W X 18"H	\$627
94264	LE47 Fixed Intake Louver, 42"W X 24"H	\$794
94266	LE47 Fixed Intake Louver, 42"W X 30"H	\$921
94269	LE47 Fixed Intake Louver, 42"W X 36"H	\$1,012
94308	LE47 Fixed Intake Louver, 42"W X 42"H	\$1,131
94270	LE47 Fixed Intake Louver, 42"W X 48"H	\$1,234
94273	LE47 Fixed Intake Louver, 42"W X 54"H	\$1,409
94276	LE47 Fixed Intake Louver, 42"W X 60"H	\$1,508
94278	LE47 Fixed Intake Louver, 42"W X 66"H	\$1,611
94279	LE47 Fixed Intake Louver, 42"W X 72"H	\$1,711
94508	LE47 Fixed Intake Louver, 42"W X 78"H	\$1,826
94509	LE47 Fixed Intake Louver, 42"W X 84"H	\$2,000
94510	LE47 Fixed Intake Louver, 42"W X 90"H	\$2,104
94511	LE47 Fixed Intake Louver, 42"W X 96"H	\$2,207
94512	LE47 Fixed Intake Louver, 48"W X 12"H	\$556
94513	LE47 Fixed Intake Louver, 48"W X 18"H	\$687
94514	LE47 Fixed Intake Louver, 48"W X 24"H	\$877
94515	LE47 Fixed Intake Louver, 48"W X 30"H	\$1,008
94306	LE47 Fixed Intake Louver, 48"W X 36"H	\$1,119
94516	LE47 Fixed Intake Louver, 48"W X 42"H	\$1,250
94304	LE47 Fixed Intake Louver, 48"W X 48"H	\$1,361
94517	LE47 Fixed Intake Louver, 48"W X 54"H	\$1,560
94303	LE47 Fixed Intake Louver, 48"W X 60"H	\$1,671
94518	LE47 Fixed Intake Louver, 48"W X 66"H	\$1,782
94519	LE47 Fixed Intake Louver, 48"W X 72"H	\$1,893
94520	LE47 Fixed Intake Louver, 48"W X 78"H	\$2,028
94521	LE47 Fixed Intake Louver, 48"W X 84"H	\$2,227
94522	LE47 Fixed Intake Louver, 48"W X 90"H	\$2,334
94523	LE47 Fixed Intake Louver, 48"W X 96"H	\$2,449
94524	LE47 Fixed Intake Louver, 54"W X 12"H	\$603
94525	LE47 Fixed Intake Louver, 54"W X 18"H	\$746
94526	LE47 Fixed Intake Louver, 54"W X 24"H	\$953
94527	LE47 Fixed Intake Louver, 54"W X 30"H	\$1,095
94528	LE47 Fixed Intake Louver, 54"W X 36"H	\$1,218
94529	LE47 Fixed Intake Louver, 54"W X 42"H	\$1,357
94530	LE47 Fixed Intake Louver, 54"W X 48"H	\$1,480
94289	LE47 Fixed Intake Louver, 54"W X 54"H	\$1,738
94538	LE47 Fixed Intake Louver, 54"W X 60"H	\$1,865
94539	LE47 Fixed Intake Louver, 54"W X 66"H	\$1,988
94540	LE47 Fixed Intake Louver, 54"W X 72"H	\$2,115

## Intake Louvers

EDP No.	Catalog No.	List Price
94541	LE47 Fixed Intake Louver, 54"W X 78"H	\$2,366
94542	LE47 Fixed Intake Louver, 54"W X 84"H	\$2,473
94543	LE47 Fixed Intake Louver, 54"W X 90"H	\$2,592
94544	LE47 Fixed Intake Louver, 54"W X 96"H	\$2,723
94545	LE47 Fixed Intake Louver, 60"W X 12"H	\$651
94546	LE47 Fixed Intake Louver, 60"W X 18"H	\$806
94547	LE47 Fixed Intake Louver, 60"W X 24"H	\$1,028
94548	LE47 Fixed Intake Louver, 60"W X 30"H	\$1,191
94549	LE47 Fixed Intake Louver, 60"W X 36"H	\$1,318
94550	LE47 Fixed Intake Louver, 60"W X 42"H	\$1,472
94551	LE47 Fixed Intake Louver, 60"W X 48"H	\$1,600
94552	LE47 Fixed Intake Louver, 60"W X 54"H	\$1,881
94553	LE47 Fixed Intake Louver, 60"W X 60"H	\$2,020
94554	LE47 Fixed Intake Louver, 60"W X 66"H	\$2,155
94555	LE47 Fixed Intake Louver, 60"W X 72"H	\$2,290
94556	LE47 Fixed Intake Louver, 60"W X 78"H	\$2,445
94557	LE47 Fixed Intake Louver, 60"W X 84"H	\$2,683
94558	LE47 Fixed Intake Louver, 60"W X 90"H	\$2,810
94559	LE47 Fixed Intake Louver, 60"W X 96"H	\$2,953
94560	LE47 Fixed Intake Louver, 66"W X 12"H	\$806
94561	LE47 Fixed Intake Louver, 66"W X 18"H	\$1,008
94562	LE47 Fixed Intake Louver, 66"W X 24"H	\$1,290
94563	LE47 Fixed Intake Louver, 66"W X 30"H	\$1,492
94564	LE47 Fixed Intake Louver, 66"W X 36"H	\$1,667
94565	LE47 Fixed Intake Louver, 66"W X 42"H	\$1,857
94566	LE47 Fixed Intake Louver, 66"W X 48"H	\$2,032
94567	LE47 Fixed Intake Louver, 66"W X 54"H	\$2,342
94568	LE47 Fixed Intake Louver, 66"W X 60"H	\$2,520
94569	LE47 Fixed Intake Louver, 66"W X 66"H	\$2,691
94570	LE47 Fixed Intake Louver, 66"W X 72"H	\$2,862
94571	LE47 Fixed Intake Louver, 66"W X 78"H	\$3,044
94572	LE47 Fixed Intake Louver, 66"W X 84"H	\$3,338
94573	LE47 Fixed Intake Louver, 66"W X 90"H	\$3,505
94574	LE47 Fixed Intake Louver, 66"W X 96"H	\$3,679
94575	LE47 Fixed Intake Louver, 72"W X 12"H	\$849
94576	LE47 Fixed Intake Louver, 72"W X 18"H	\$1,060
94577	LE47 Fixed Intake Louver, 72"W X 24"H	\$1,365
94578	LE47 Fixed Intake Louver, 72"W X 30"H	\$1,576
94579	LE47 Fixed Intake Louver, 72"W X 36"H	\$1,758
94580	LE47 Fixed Intake Louver, 72"W X 42"H	\$1,961
94284	LE47 Fixed Intake Louver, 72"W X 48"H	\$2,147
94581	LE47 Fixed Intake Louver, 72"W X 54"H	\$2,477
94582	LE47 Fixed Intake Louver, 72"W X 60"H	\$2,663
94583	LE47 Fixed Intake Louver, 72"W X 66"H	\$2,850
94584	LE47 Fixed Intake Louver, 72"W X 72"H	\$3,036
94585	LE47 Fixed Intake Louver, 72"W X 78"H	\$3,227
94586	LE47 Fixed Intake Louver, 72"W X 84"H	\$3,532
94587	LE47 Fixed Intake Louver, 72"W X 90"H	\$3,715
94588	LE47 Fixed Intake Louver, 72"W X 96"H	\$3,921
94589	LE47 Fixed Intake Louver, 78"W X 12"H	\$897
94590	LE47 Fixed Intake Louver, 78"W X 18"H	\$1,119
94591	LE47 Fixed Intake Louver, 78"W X 24"H	\$1,437
94592	LE47 Fixed Intake Louver, 78"W X 30"H	\$1,659
94593	LE47 Fixed Intake Louver, 78"W X 36"H	\$1,857
94594	LE47 Fixed Intake Louver, 78"W X 42"H	\$2,064
94595	LE47 Fixed Intake Louver, 78"W X 48"H	\$2,266
94596	LE47 Fixed Intake Louver, 78"W X 54"H	\$2,616
94597	LE47 Fixed Intake Louver, 78"W X 60"H	\$2,814

94598	LE47 Fixed Intake Louver, 78"W X 66"H	\$3,012
94599	LE47 Fixed Intake Louver, 78"W X 72"H	\$3,203
94600	LE47 Fixed Intake Louver, 78"W X 78"H	\$3,413
94601	LE47 Fixed Intake Louver, 78"W X 84"H	\$3,731
94602	LE47 Fixed Intake Louver, 78"W X 90"H	\$3,921
94603	LE47 Fixed Intake Louver, 78"W X 96"H	\$4,116
94604	LE47 Fixed Intake Louver, 84"W X 12"H	\$941
94605	LE47 Fixed Intake Louver, 84"W X 18"H	\$1,171
94606	LE47 Fixed Intake Louver, 84"W X 24"H	\$1,516
94607	LE47 Fixed Intake Louver, 84"W X 30"H	\$1,750
94608	LE47 Fixed Intake Louver, 84"W X 36"H	\$1,957
94609	LE47 Fixed Intake Louver, 84"W X 42"H	\$2,171
94610	LE47 Fixed Intake Louver, 84"W X 48"H	\$2,377
94611	LE47 Fixed Intake Louver, 84"W X 54"H	\$2,758
94612	LE47 Fixed Intake Louver, 84"W X 60"H	\$2,969
94613	LE47 Fixed Intake Louver, 84"W X 66"H	\$3,175
94614	LE47 Fixed Intake Louver, 84"W X 72"H	\$3,378
94615	LE47 Fixed Intake Louver, 84"W X 78"H	\$3,600
94616	LE47 Fixed Intake Louver, 84"W X 84"H	\$3,973
94617	LE47 Fixed Intake Louver, 84"W X 90"H	\$4,187
94618	LE47 Fixed Intake Louver, 84"W X 96"H	\$4,402
94619	LE47 Fixed Intake Louver, 90"W X 12"H	\$992
94620	LE47 Fixed Intake Louver, 90"W X 18"H	\$1,226
94621	LE47 Fixed Intake Louver, 90"W X 24"H	\$1,588
94622	LE47 Fixed Intake Louver, 90"W X 30"H	\$1,830
94623	LE47 Fixed Intake Louver, 90"W X 36"H	\$2,048
94624	LE47 Fixed Intake Louver, 90"W X 42"H	\$2,274
94634	LE47 Fixed Intake Louver, 90"W X 48"H	\$2,493
94635	LE47 Fixed Intake Louver, 90"W X 54"H	\$2,889
94636	LE47 Fixed Intake Louver, 90"W X 60"H	\$3,112
94637	LE47 Fixed Intake Louver, 90"W X 66"H	\$3,326
94638	LE47 Fixed Intake Louver, 90"W X 72"H	\$3,540
94639	LE47 Fixed Intake Louver, 90"W X 78"H	\$3,782
94640	LE47 Fixed Intake Louver, 90"W X 84"H	\$4,175
94641	LE47 Fixed Intake Louver, 90"W X 90"H	\$4,394
94642	LE47 Fixed Intake Louver, 90"W X 96"H	\$4,616
94643	LE47 Fixed Intake Louver, 96"W X 12"H	\$1,032
94644	LE47 Fixed Intake Louver, 96"W X 18"H	\$1,278
94645	LE47 Fixed Intake Louver, 96"W X 24"H	\$1,659
94646	LE47 Fixed Intake Louver, 96"W X 30"H	\$1,913
94647	LE47 Fixed Intake Louver, 96"W X 36"H	\$2,143
94648	LE47 Fixed Intake Louver, 96"W X 42"H	\$2,397
94649	LE47 Fixed Intake Louver, 96"W X 48"H	\$2,627
94650	LE47 Fixed Intake Louver, 96"W X 54"H	\$3,028
94651	LE47 Fixed Intake Louver, 96"W X 60"H	\$3,259
94652	LE47 Fixed Intake Louver, 96"W X 66"H	\$3,497
94653	LE47 Fixed Intake Louver, 96"W X 72"H	\$3,711
94654	LE47 Fixed Intake Louver, 96"W X 78"H	\$3,961
94655	LE47 Fixed Intake Louver, 96"W X 84"H	\$4,378
94656	LE47 Fixed Intake Louver, 96"W X 90"H	\$4,604
94660	LE47 Fixed Intake Louver, 96"W X 96"H	\$4,834

**Add 10% for Angle (Flanged) Frames. Add \$21.67 per foot of width for Sill Extensions.**

#Available LouverGard colors:

Bone White	Santa Fe Red
Parchment Yellow	Slate Gray
Citation Gold	Brick Red
Sierra White	Medium Bronze
Alamo Tan	Dark Bronze
Squirrel Brown	Coal Black
IBM Blue	Charcoal Black
Dove Gray	Sandstone
Hartford Green	Buckskin
Aged Copper	Terra Cotta

LouverGard is a durable gloss baked enamel for use in protecting interior and exterior metal surfaces. It is formulated to withstand the rigors of weathering and corrosion.

### OPTIONS FOR LE47 & LE47A

FINISHES FOR LE47 & LE47A LOUVERS	
FINISH	APPLY APPROPRIATE MULTIPLIER BELOW TO LIST PRICE For Models LE47 or LE47A
	Prime or Clear Lacquer
LouverGard Std. Colors‡	1.30
Kynar™ Standard Colors (70% Kynar)	1.55
Anodize 204-R1 Etch & Clear .7 Mils	1.40
Anodize 215-R1 Etch & Clear .7 Mils	1.55
Anodize Light, Med. Dk. Bronze or Black, .7 Mils	1.75

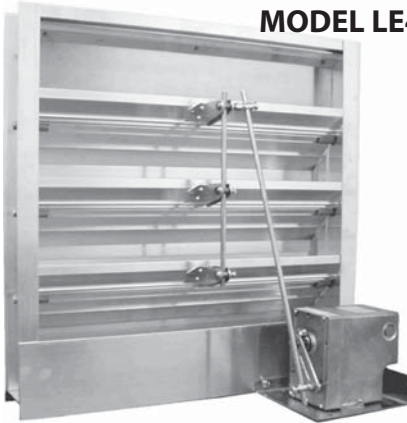
**NOTES:** Width and Height are wall opening sizes. Louvers are made 1/2" under size.

OPTIONAL LOUVER SCREENS	LIST /SQ. FT.
1/2" .063 aluminum screen	\$4.43
1/2" .047 aluminum screen	\$12.76
1/4" .047 aluminum screen	\$26.73
1/2" .041 galvanized screen	No Add
1/2" .063 galvanized screen	\$4.80
1/4" .041 galvanized screen	\$19.83
1/2" .047 stainless steel (304) screen	\$15.41
1/2" .063 stainless steel (304) screen	\$20.72
Aluminum insect screen	\$5.49
Galvanized insect screen	\$5.49
Stainless steel insect screen	\$8.86
No screen DEDUCT	\$5.47

The standard screen included in the base price of all LE47 & LE47A louvers is 1/2" .051 expanded



# Intake Louvers



LE47A INTAKE LOUVERS  
(Adjustable Louver)  
Shown with optional motor

## MODEL LE47A - Adjustable

### 1 Year Warranty

#### FEATURES

- Extruded Aluminum
- Weather Resistant
- Available in Fixed or Adjustable Blades
- Bird Screen Standard
- Extremely Versatile - For Architectural Designs
- Many Options and Colors Available



### Choosing the proper size LE47A

1. Divide the required CFM by the maximum recommended free area velocity (740 FPM).
2. Select a louver from the free area chart that meets the minimum free area requirements.

EXAMPLE: 6000 CFM air flow

Step #1

$$\text{Min. Free Area} = \frac{\text{Design CFM}}{\text{Max Recommended Velocity}}$$

$$= \frac{6000}{740} = 8.108 \text{ Sq. Ft.}$$

Step #2

From the free area table the approximate louver size is 36" W x 72" H (8.49 Sq. Ft.).

Free area is the actual open area of the louver, approximately 45% of face area.

### LE47A FREE AREA IN SQUARE FEET

HEIGHT	WIDTH				
	12"	24"	36"	48"	60"
12"	0.20	0.45	0.71	0.96	1.22
24"	0.59	1.35	2.11	2.87	3.63
36"	1.11	2.56	4.01	5.45	6.90
48"	1.56	3.57	5.59	7.01	9.05
60"	1.97	4.53	7.08	9.64	12.20
72"	2.36	5.43	8.49	11.55	14.62
84"	2.74	6.30	9.86	13.41	16.97
96"	3.31	7.61	11.91	16.20	20.50

LE47A's are special order items. Orders are non-cancellable and non-returnable.

### ADJUSTABLE LE47A EDP NUMBER / LIST PRICE - ORDER LE47A (Width x Height)

EDP No.	Catalog No.	Blades	List Price
94366	LE47A Adjustable Intake Louver, 12"W X 12"H	1	\$381
94361	LE47A Adjustable Intake Louver, 12"W X 18"H	2	\$468
94365	LE47A Adjustable Intake Louver, 12"W X 24"H	3	\$548
94367	LE47A Adjustable Intake Louver, 12"W X 30"H	4	\$643
94364	LE47A Adjustable Intake Louver, 12"W X 36"H	5	\$758
94368	LE47A Adjustable Intake Louver, 12"W X 42"H	6	\$885

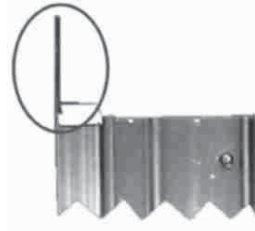
94369	LE47A Adjustable Intake Louver, 12"W X 48"H	8	\$968
94370	LE47A Adjustable Intake Louver, 12"W X 54"H	9	\$1,072
94378	LE47A Adjustable Intake Louver, 12"W X 60"H	10	\$1,147
94379	LE47A Adjustable Intake Louver, 12"W X 66"H	11	\$1,270
94380	LE47A Adjustable Intake Louver, 12"W X 72"H	12	\$1,349
94381	LE47A Adjustable Intake Louver, 12"W X 78"H	13	\$1,449
94382	LE47A Adjustable Intake Louver, 12"W X 84"H	14	\$1,540
94383	LE47A Adjustable Intake Louver, 12"W X 90"H	16	\$1,627
94385	LE47A Adjustable Intake Louver, 12"W X 96"H	17	\$1,750
94413	LE47A Adjustable Intake Louver, 18"W X 12"H	1	\$433
94363	LE47A Adjustable Intake Louver, 18"W X 18"H	2	\$528
94388	LE47A Adjustable Intake Louver, 18"W X 24"H	3	\$619
94375	LE47A Adjustable Intake Louver, 18"W X 30"H	4	\$762
94353	LE47A Adjustable Intake Louver, 18"W X 36"H	5	\$905
94390	LE47A Adjustable Intake Louver, 18"W X 42"H	6	\$1,012
94399	LE47A Adjustable Intake Louver, 18"W X 48"H	8	\$1,103
94400	LE47A Adjustable Intake Louver, 18"W X 54"H	9	\$1,218
94403	LE47A Adjustable Intake Louver, 18"W X 60"H	10	\$1,306
94404	LE47A Adjustable Intake Louver, 18"W X 66"H	11	\$1,445
94405	LE47A Adjustable Intake Louver, 18"W X 72"H	12	\$1,536
94406	LE47A Adjustable Intake Louver, 18"W X 78"H	13	\$1,635
94411	LE47A Adjustable Intake Louver, 18"W X 84"H	14	\$1,742
94421	LE47A Adjustable Intake Louver, 18"W X 90"H	16	\$1,838
94422	LE47A Adjustable Intake Louver, 18"W X 96"H	17	\$1,981
94423	LE47A Adjustable Intake Louver, 24"W X 12"H	1	\$488
94356	LE47A Adjustable Intake Louver, 24"W X 18"H	2	\$595
94355	LE47A Adjustable Intake Louver, 24"W X 24"H	3	\$734
94354	LE47A Adjustable Intake Louver, 24"W X 30"H	4	\$861
94394	LE47A Adjustable Intake Louver, 24"W X 36"H	5	\$1,020
94424	LE47A Adjustable Intake Louver, 24"W X 42"H	6	\$1,139
94425	LE47A Adjustable Intake Louver, 24"W X 48"H	8	\$1,250
94426	LE47A Adjustable Intake Louver, 24"W X 54"H	9	\$1,369
94427	LE47A Adjustable Intake Louver, 24"W X 60"H	10	\$1,465
94428	LE47A Adjustable Intake Louver, 24"W X 66"H	11	\$1,623
94429	LE47A Adjustable Intake Louver, 24"W X 72"H	12	\$1,727
94430	LE47A Adjustable Intake Louver, 24"W X 78"H	13	\$1,143
94431	LE47A Adjustable Intake Louver, 24"W X 84"H	14	\$1,965
94432	LE47A Adjustable Intake Louver, 24"W X 90"H	16	\$2,068
94433	LE47A Adjustable Intake Louver, 24"W X 96"H	17	\$2,231
94434	LE47A Adjustable Intake Louver, 30"W X 12"H	1	\$544
94435	LE47A Adjustable Intake Louver, 30"W X 18"H	2	\$695
94351	LE47A Adjustable Intake Louver, 30"W X 24"H	3	\$818
94350	LE47A Adjustable Intake Louver, 30"W X 30"H	4	\$957
94401	LE47A Adjustable Intake Louver, 30"W X 36"H	5	\$1,135
94436	LE47A Adjustable Intake Louver, 30"W X 42"H	6	\$1,262
94437	LE47A Adjustable Intake Louver, 30"W X 48"H	8	\$1,377
94438	LE47A Adjustable Intake Louver, 30"W X 54"H	9	\$1,508
94439	LE47A Adjustable Intake Louver, 30"W X 60"H	10	\$1,623
94440	LE47A Adjustable Intake Louver, 30"W X 66"H	11	\$1,798
94441	LE47A Adjustable Intake Louver, 30"W X 72"H	12	\$1,913
94442	LE47A Adjustable Intake Louver, 30"W X 78"H	13	\$2,040
94443	LE47A Adjustable Intake Louver, 30"W X 84"H	14	\$2,167
94445	LE47A Adjustable Intake Louver, 30"W X 90"H	16	\$2,278
94446	LE47A Adjustable Intake Louver, 30"W X 96"H	17	\$2,461
94447	LE47A Adjustable Intake Louver, 36"W X 12"H	1	\$599
94347	LE47A Adjustable Intake Louver, 36"W X 18"H	2	\$778
94392	LE47A Adjustable Intake Louver, 36"W X 24"H	3	\$905
94346	LE47A Adjustable Intake Louver, 36"W X 30"H	4	\$1,060
94344	LE47A Adjustable Intake Louver, 36"W X 36"H	5	\$1,254
94448	LE47A Adjustable Intake Louver, 36"W X 42"H	6	\$1,389

## Intake Louvers

94343	LE47A Adjustable Intake Louver, 36"W X 48"H	8	\$1,520
94449	LE47A Adjustable Intake Louver, 36"W X 54"H	9	\$1,667
94342	LE47A Adjustable Intake Louver, 36"W X 60"H	10	\$1,790
94450	LE47A Adjustable Intake Louver, 36"W X 66"H	11	\$1,988
94345	LE47A Adjustable Intake Louver, 36"W X 72"H	12	\$2,115
94451	LE47A Adjustable Intake Louver, 36"W X 78"H	13	\$2,254
94452	LE47A Adjustable Intake Louver, 36"W X 84"H	14	\$2,635
94453	LE47A Adjustable Intake Louver, 36"W X 90"H	16	\$2,520
94454	LE47A Adjustable Intake Louver, 36"W X 96"H	17	\$2,723
94455	LE47A Adjustable Intake Louver, 42"W X 12"H	1	\$687
94415	LE47A Adjustable Intake Louver, 42"W X 18"H	2	\$841
94456	LE47A Adjustable Intake Louver, 42"W X 24"H	3	\$984
94340	LE47A Adjustable Intake Louver, 42"W X 30"H	4	\$1,143
94457	LE47A Adjustable Intake Louver, 42"W X 36"H	5	\$1,353
94339	LE47A Adjustable Intake Louver, 42"W X 42"H	6	\$1,508
94458	LE47A Adjustable Intake Louver, 42"W X 48"H	8	\$1,651
94459	LE47A Adjustable Intake Louver, 42"W X 54"H	9	\$1,802
94460	LE47A Adjustable Intake Louver, 42"W X 60"H	10	\$1,937
94461	LE47A Adjustable Intake Louver, 42"W X 66"H	11	\$2,155
94462	LE47A Adjustable Intake Louver, 42"W X 72"H	12	\$2,290
94463	LE47A Adjustable Intake Louver, 42"W X 78"H	13	\$2,441
94464	LE47A Adjustable Intake Louver, 42"W X 84"H	14	\$2,592
94465	LE47A Adjustable Intake Louver, 42"W X 90"H	16	\$2,739
94466	LE47A Adjustable Intake Louver, 42"W X 96"H	17	\$2,957
94467	LE47A Adjustable Intake Louver, 48"W X 12"H	1	\$746
94468	LE47A Adjustable Intake Louver, 48"W X 18"H	2	\$909
94395	LE47A Adjustable Intake Louver, 48"W X 24"H	3	\$1,068
94402	LE47A Adjustable Intake Louver, 48"W X 30"H	4	\$1,238
94338	LE47A Adjustable Intake Louver, 48"W X 36"H	5	\$1,472
94469	LE47A Adjustable Intake Louver, 48"W X 42"H	6	\$1,643
94336	LE47A Adjustable Intake Louver, 48"W X 48"H	8	\$1,794
94470	LE47A Adjustable Intake Louver, 48"W X 54"H	9	\$1,961
94335	LE47A Adjustable Intake Louver, 48"W X 60"H	10	\$2,108
94474	LE47A Adjustable Intake Louver, 48"W X 66"H	11	\$2,342
94334	LE47A Adjustable Intake Louver, 48"W X 72"H	12	\$2,489
94478	LE47A Adjustable Intake Louver, 48"W X 78"H	13	\$2,659
94479	LE47A Adjustable Intake Louver, 48"W X 84"H	14	\$2,826
94480	LE47A Adjustable Intake Louver, 48"W X 90"H	16	\$2,973
94481	LE47A Adjustable Intake Louver, 48"W X 96"H	17	\$3,215
94482	LE47A Adjustable Intake Louver, 54"W X 12"H	1	\$881
94483	LE47A Adjustable Intake Louver, 54"W X 18"H	2	\$1,072
94484	LE47A Adjustable Intake Louver, 54"W X 24"H	3	\$1,250
94485	LE47A Adjustable Intake Louver, 54"W X 30"H	4	\$1,445
94486	LE47A Adjustable Intake Louver, 54"W X 36"H	5	\$1,730
94487	LE47A Adjustable Intake Louver, 54"W X 42"H	6	\$1,921
94488	LE47A Adjustable Intake Louver, 54"W X 48"H	8	\$2,100
94331	LE47A Adjustable Intake Louver, 54"W X 54"H	9	\$2,338
94489	LE47A Adjustable Intake Louver, 54"W X 60"H	10	\$2,512
94490	LE47A Adjustable Intake Louver, 54"W X 66"H	11	\$2,798
94491	LE47A Adjustable Intake Louver, 54"W X 72"H	12	\$2,973
94494	LE47A Adjustable Intake Louver, 54"W X 78"H	13	\$3,167
94495	LE47A Adjustable Intake Louver, 54"W X 84"H	14	\$3,358
94496	LE47A Adjustable Intake Louver, 54"W X 90"H	16	\$3,532
94497	LE47A Adjustable Intake Louver, 54"W X 96"H	17	\$3,822
94498	LE47A Adjustable Intake Louver, 60"W X 12"H	1	\$937
94499	LE47A Adjustable Intake Louver, 60"W X 18"H	2	\$1,143
94500	LE47A Adjustable Intake Louver, 60"W X 24"H	3	\$1,330
94501	LE47A Adjustable Intake Louver, 60"W X 30"H	4	\$1,544
94502	LE47A Adjustable Intake Louver, 60"W X 36"H	5	\$1,846
94329	LE47A Adjustable Intake Louver, 60"W X 42"H	6	\$2,048

94330	LE47A Adjustable Intake Louver, 60"W X 48"H	8	\$2,235
94503	LE47A Adjustable Intake Louver, 60"W X 54"H	9	\$2,481
94328	LE47A Adjustable Intake Louver, 60"W X 60"H	10	\$2,671
94504	LE47A Adjustable Intake Louver, 60"W X 66"H	11	\$2,977
94396	LE47A Adjustable Intake Louver, 60"W X 72"H	12	\$3,163
94505	LE47A Adjustable Intake Louver, 60"W X 78"H	13	\$3,370
94506	LE47A Adjustable Intake Louver, 60"W X 84"H	14	\$3,572
94507	LE47A Adjustable Intake Louver, 60"W X 90"H	16	\$3,759
94393	LE47A Adjustable Intake Louver, 60"W X 96"H	17	\$4,068

**Add 10% for Angle (Flanged) Frames. Add \$21.67 per foot of width for Sill Extensions.**



**Optional Flange Frame**



**Standard Channel Frame**

**NOTES:**

LE47A Only - Jackshifting to use a single panel actuator on multi-panel louvers - \$2.16 per inch of width.

Width and Height are wall opening sizes. Louvers are made 1/2" under size.

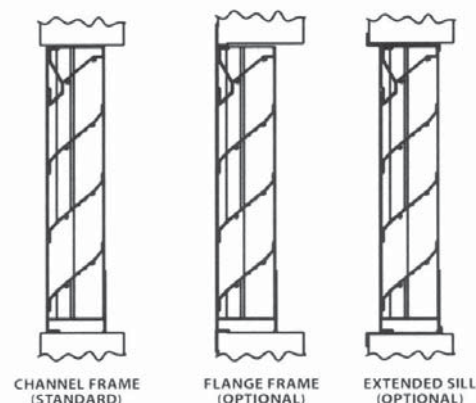
**Motorized Or Chain Pull Actuators Louvers**

**FOR MOTORIZED OR CHAIN PULL ACTUATOR LOUVERS, ORDER LE47A AND MOTOR OR CHAIN PULL ACTUATOR**

EDP No.	Catalog No.	Actuator Model Number	Voltage	Description	List Price
81642	BCMA-405	BCMA-405	115V	115V Actuator	\$1,462
81640	BCMA-305	BCMA-305	24V	24V Actuator	\$1,599
81639	BCMA-419	BCMA-419	230V	230V Actuator	\$2,421
81637	MA6-405	MA6-405	115V	115V Hazardous Location Actuator with Explosion Proof Motor & Linkage (no mtg. brackets included)	\$7,299
81645	Chain Actuator	Chain Actuator	-	Plated Steel Spring, 5' Chain, Wall Claw	\$230
81636	Panel Crank	Panel Crank	-	Manual Hand Crank	\$617

SELECT, SPECIFY AND ORDER LE47 (MANUAL) AND LE47A (MOTORIZED OR CHAIN PULL ACTUATOR) "WIDTH x HEIGHT". Transformer for 3 phase available.

**LE47 and LE47A**



## Motor Accessories

### Motor Controls - Disconnect Switches & Thermostats

#### Thermostats

EDP No.	Catalog No.	Description	List Price
89576*	XRA-4	Thermostat (Wall Mt.) 60° to 100° range	\$143
24820	T-1	Temp. Switch (Wall Mt.) 45° to 85° range	\$266
90783	TS631	Temp. Switch (Attic Mt.) 70° to 140° range	\$252

\*Single Phase for use up to 3/4 HP

#### Humidistat

EDP No.	Catalog No.	List Price
24880	H-1	\$49

20% to 80% RH range

### Motor Controls - Manual Motor Starters

#### Two Speed Manual Motor Starter Without Provision For Overload Protector

EDP No.	Catalog No.	Max HP	Voltage/Phase/Hz	List Price
85388	Switch	3/4	115/1/60	\$49

### Motor Conversion Kits

#### Exhaust Motor Kits †

For Motorized Wall Shutters Add Motor Kit From List Below. Not approved for Hazardous Locations

EDP No.	Catalog No.	Description	List Price
22982	MTR-556 SP	120/240 Volt, for 10 in sq - 32 in sq exhaust shutters	\$261
22983	MTR-556 DP	120/240 Volt, for 36 in sq - 48 in sq exhaust shutters	\$280
22984	MTR-885 DP	120/240 Volt, for 56 in sq - 62 in sq exhaust shutters	\$379

Please specify voltage needed when ordering. Units are for single phase operation.

† See Page 56 for EASR/WC selection and installation information and cautions.

See Page 53 for WRHD Heavy Duty Shutter information.

### Supply Motor Kits† For

#### For WC Shutters Only

EDP No.	Catalog No.	Description	List Price
22900	MK5047-B	120/240 Volt, for 9" - 36" supply shutters	\$268
22905	MK5047-C	440 Volt, for 9" - 36" supply shutters	\$268
22908	MK5047-E	550 Volt, for 9" - 36" supply shutters	\$268
22910	MK-4782-F	120/240 Volt, for 42" - 48" supply shutters	\$303
22915	MK-4782-C	440 Volt, for 42" - 48" supply shutters	\$303
22918	MK-4782-E	550 Volt, for 42" - 48" supply shutters	\$303

Please specify voltage needed when ordering. All units are for single phase operation.

**\*\*54" supply shutter requires (1) one MK-4782 motor kit.**

**\*\* 60" supply shutter requires (1) one MK-5047 and (1) one MK-4782 motor kits.**

† See page 56 for EASR-MF/WC selection and installation information and cautions.

**Note:** Shutter Motor Kits are "power open - spring close." The power opens the shutter and holds it open until the power is turned off, then a spring on the motor closes the shutter.

### Manual Chain Operators for EASR Exhaust Shutters

EDP No.	Catalog No.	Description	List Price
80111	Manual Chain Operator	For EASR-MF 10" - 38" 1 Panel Shutter	\$206
80112	Manual Chain Operator	For EASR-MF 44" - 54" 2 Panel Shutter	\$468

## Table Of Contents - Part Number Index

EDP Number	Catalog Number	List Price	Page	EDP Number	Catalog Number	List Price	Page
<b>0</b>				12191	DJ-DCS	\$ 156	24
01515	DCD	\$ 66	24	12192	DJ-CRP	\$ 37	23
01518	DJ-CAP-HE	\$ 20	23	12200K	DJ-PF20-2SPH	\$ 927	21
01600	Capacitor	\$ 11	13, 17	12201K	DJ-PF20-2SPH-DC	\$ 989	22
01633	CORD	\$ 38	10, 24	12202K	DJ-AKF20-2SPH	\$ 709	21
01683	Capacitor	\$ 11	13, 17	12203K	DJ-AKF20-2SPH-DC	\$ 773	22
01723	Switch	\$ 19	10, 14, 23, 24	12204K	DJ-WMF20-2SPH	\$ 784	21
01750	Guard Pin	\$ 13	23	12205K	DJ-WMF20-2SPH-DC	\$ 846	22
01754	GUARD-SAFETY PIN	\$ 17	24	12206K	DJ-CMF20-2SPH	\$ 757	21
03033	Cord Lock	\$ 7	23	12207K	DJ-CMF20-2SPH-DC	\$ 819	22
03915	End Dome	\$ 86	9	12208K	DJ-CCM20-2SPH	\$ 820	21
05242	EMC42D	\$ 205	31	12209K	DJ-CCM20-2SPH-DC	\$ 885	22
06004	End Dome	\$ 66	9	12210K	DJ-BMF20-2SPH	\$ 796	21
06883	WS10	\$ 257	41	12211K	DJ-BMF20-2SPH-DC	\$ 858	22
06884	WS12	\$ 277	41, 42, 48	12212	DJ-20HGB	\$ 276	23
06885	WS16E	\$ 316	41	12219	DJ-HSP20	\$ 13	23
06886	WS18E	\$ 365	41, 42, 48	12251	DJMMS-HE	\$ 86	23
06887	WS24	\$ 362	42, 44, 48, 51, 54	12553	DJ24 Head Assy.	\$ 733	22
06888	WS30	\$ 546	44, 48, 51, 54	12554	DJ30 Head Assy.	\$ 752	22
06889	WS36	\$ 581	44, 48, 51, 54	<b>2</b>			
06890	WS42	\$ 671	48, 51, 54	20115	M24GBA	\$ 798	4
06891	WS48	\$ 776	48, 51, 54	20301	24LF16X	\$ 1,624	7
06892	WS54	\$ 1,276	54	20321	24LW16X8	\$ 1,471	7
06893	WS60	\$ 1,604	54	20331	24LS16X	\$ 1,435	7
06894	WS18	\$ 342	42, 44, 48	20341	24LI16X	\$ 1,547	7
08380	---	\$ 160	29	20351	30LF16X	\$ 1,703	7
08381	---	\$ 176	29	20371	30LW16X8	\$ 1,550	7
08382	---	\$ 198	29	20381	30LS16X	\$ 1,513	7
<b>1</b>				20391	30LI16X	\$ 1,627	7
10101K	DJ-AKF24-2SPH	\$ 732	21	20450K	24LF36X	\$ 1,850	7
10151K	DJ-AKF30-2SPH	\$ 751	21	20470K	24LW36X8	\$ 1,696	7
10203K	DJ-CCM24-2SPH	\$ 843	21	20480K	24LS36X	\$ 1,661	7
10204K	DJ-BMF24-2SPH	\$ 817	21	20490K	24LI36X	\$ 1,776	7
10253K	DJ-CCM30-2SPH	\$ 860	21	20500K	30LF36X	\$ 1,930	7
10254K	DJ-BMF30-2SPH	\$ 838	21	20520K	30LW36X8	\$ 1,777	7
10301K	DJ-CMF24-2SPH	\$ 780	21	20530K	30LS36X	\$ 1,741	7
10351K	DJ-CMF30-2SPH	\$ 781	21	20540K	30LI36X	\$ 1,854	7
10401K	DJ-WMF24-2SPH	\$ 804	21	20600K	24LF36	\$ 1,453	6
10451K	DJ-WMF30-2SPH	\$ 822	21	20620K	24LW368	\$ 1,301	6
10501K	DJ-PF24-2SPH	\$ 945	21	20630K	24LS36	\$ 1,267	6
10551K	DJ-PF30-2SPH	\$ 964	21	20640K	24LI36	\$ 1,381	6
10731K	DJ-PF24-2SPH-DC	\$ 1,008	22	20650K	30LF36	\$ 1,535	6
10732K	DJ-PF30-2SPH-DC	\$ 1,030	22	20670K	30LW368	\$ 1,381	6
10733K	DJ-AKF24-2SPH-DC	\$ 793	22	20680K	30LS36	\$ 1,346	6
10734K	DJ-AKF30-2SPH-DC	\$ 814	22	20690K	30LI36	\$ 1,459	6
10735K	DJ-CCM24-2SPH-DC	\$ 906	22	20750K	24HF36	\$ 1,578	8
10736K	DJ-CCM30-2SPH-DC	\$ 927	22	20770K	24HW36	\$ 1,424	8
10737K	DJ-BMF30-2SPH-DC	\$ 898	22	20780K	24HS36	\$ 1,389	8
10738K	DJ-CMF24-2SPH-DC	\$ 842	22	20790K	24HI36	\$ 1,503	8
10739K	DJ-CMF30-2SPH-DC	\$ 858	22	20840	30HF36	\$ 1,658	8
10740K	DJ-WMF24-2SPH-DC	\$ 868	22	20860	30HW36	\$ 1,503	8
10741K	DJ-WMF30-2SPH-DC	\$ 889	22	20870	30HS36	\$ 1,468	8
10750K	DJ-BMF24-2SPH-DC	\$ 882	22	20880	30HI36	\$ 1,583	8
11010	DJ-HSP	\$ 17	23	20885	UP24BN-S	\$ 1,519	5
11031	DJ-110V-HEM	\$ 435	23	20890	UP30BN-S	\$ 1,600	5
11070	DJ-30HGB	\$ 317	23	20892	UP18LF16-S	\$ 723	4
11080	DJ-24HGB	\$ 298	23	20893	UP20LF6-S	\$ 750	4
11453	DJ-CCM	\$ 159	23	20894	UP18BN-S	\$ 956	5
11454	DJ-AK	\$ 50	23	20895	UP24LF16-S	\$ 983	4
11456	DJ-CM	\$ 95	13, 17, 23	20898	UP20BN-S	\$ 1,020	5
11710	DJ-PB	\$ 160	23	20899	UP18LW16-S8	\$ 607	4
11750	DJ-PC	\$ 104	23	20900	UP30LF16-S	\$ 1,063	4
12000	DJ-MMS-DCS-2	\$ 104	23	20902	UP20LW16-S8	\$ 642	4
12001	DJ-DCS-2	\$ 47	23	20903	UP18WN-S8	\$ 880	5
12002	DJ-EC-6	\$ 27	10, 23	20904	UP20WN-S8	\$ 944	5
12005	DJ-110V-HEM-DCS	\$ 517	23	20906	UP18LI16-S	\$ 704	4
12008	DJ-EC-9	\$ 29	10, 23	20907	UP20LI16-S	\$ 742	4
12009	DJ-EC-12	\$ 32	10, 23	20908	UP18IN-S	\$ 953	5
12013	2-SPDCS-HD	\$ 105	9, 24	20909	UP20IN-S	\$ 1,009	5
12015	DJ-DCS-23	\$ 47	24	20911	UP18LS16-S	\$ 581	4
				20912	UP20LS16-S	\$ 617	4
				20915	M30GBA	\$ 877	4

## Table Of Contents - Part Number Index

EDP Number	Catalog Number	List Price	Page	EDP Number	Catalog Number	List Price	Page
21007	967-3 SP	\$ 970	9	21702	18M-1/4MX	\$ 5,077	36
21017	642-AC 3 SP	\$ 489	9, 24	21703	18MP-1/4MX	\$ 5,083	36
21021	967J	\$ 681	9	21710	24M-1/4M	\$ 4,436	36
21022	642J	\$ 344	9	21711	24MP-1/4M	\$ 3,749	36
21025	1069 B	\$ 948	9	21712	24M-1/4MX	\$ 5,205	36
21035	1169 E	\$ 1,160	9	21713	24MP-1/4MX	\$ 5,215	36
21040	1269	\$ 1,413	9	21720	24M-1/2M	\$ 4,749	36
21050	1369	\$ 1,227	9	21721	24MP-1/2M	\$ 4,712	36
21070	AC24-G	\$ 142	9, 13, 18	21722	24M-1/2MX	\$ 5,708	36
21080	AC30-G	\$ 210	9, 13, 18	21723	24MP-1/2MX	\$ 5,788	36
21082	AC30GS	\$ 253	9	21730	24M-1M	\$ 5,109	36
21089	COM30-HG&P	\$ 295	24	21731	24MP-1M	\$ 5,040	36
21090	642-AC2SDC	\$ 513	9, 24	21732	24M-1MX	\$ 5,984	36
21095	24BA-1A	\$ 227	9, 29	21733	24MP-1MX	\$ 6,037	36
21101	18BA-1	\$ 192	9	21741	24MP-3M	\$ 5,607	36
21102	20BA-1	\$ 205	9, 29	21743	24MP-3MX	\$ 7,054	36
21105	30BA-1A	\$ 241	9, 29	21750	30M-1/2M	\$ 5,263	36
21120	24HH-1	\$ 100	9	21751	30MP-1/2M	\$ 5,226	36
21130	30HH-1	\$ 117	9	21752	30M-1/2MX	\$ 6,228	36
21152	8CP2B	\$ 125	4, 10, 24	21753	30MP-1/2MX	\$ 6,302	36
21153	I-2030B	\$ 110	13, 17	21760	30M-1-1/2M	\$ 5,978	36
21165	A-786B-1	\$ 116	4, 10, 17	21761	30MP-1-1/2M	\$ 5,708	36
21166	A786B-2	\$ 118	4, 10, 13, 17, 24	21762	30M-1-1/2MX	\$ 8,560	36
21187	878W	\$ 127	4, 10, 14, 24	21763	30MP-1-1/2MX	\$ 6,480	36
21191	700-U	\$ 210	4, 10, 24	21771	30MP-3M	\$ 5,994	36
21203	CK-2	\$ 92	4, 10	21773	30MP-3MX	\$ 7,436	36
21204	Safety Kit	\$ 3210	14, 18, 23, 24, 35	21777	Gear Box	\$ 224	9
21300	18M-1/4	\$ 4,775	36	21780	36M-1-1/2M	\$ 7,044	36
21301	18MP-1/4	\$ 4,754	36	21781	36MP-1-1/2M	\$ 6,773	36
21302	18M-1/4X	\$ 5,549	37	21782	36M-1-1/2MX	\$ 9,625	36
21303	18MP-1/4X	\$ 5,554	37	21783	36MP-1-1/2MX	\$ 7,385	36
21310	24M-1/4	\$ 4,908	36	21790	36M-2M	\$ 7,394	36
21311	24MP-1/4	\$ 4,887	36	21791	36MP-2M	\$ 6,964	36
21312	24M-1/4X	\$ 5,676	37	21793	36MP-2MX	\$ 7,583	36
21313	24MP-1/4X	\$ 5,687	37	21811	42MP-2M	\$ 8,263	36
21320	24M-1/2	\$ 5,221	36	21813	42MP-2MX	\$ 8,703	36
21321	24MP-1/2	\$ 5,183	36	22001	36MP-3M	\$ 8,427	36
21322	24M-1/2X	\$ 6,180	37	22003	36MP-3MX	\$ 10,409	36
21323	24MP-1/2X	\$ 6,259	37	22021	42MP-5M	\$ 9,529	36
21330	24M-1	\$ 5,581	36	22023	42MP-5MX	\$ 10,701	36
21331	24MP-1	\$ 5,512	36	22031	48MP-7-1/2M	\$ 13,250	36
21332	24M-1X	\$ 6,455	37	22033	48MP-7-1/2MX	\$ 14,374	36
21333	24MP-1X	\$ 6,508	37	22100	18M-1/4L	\$ 3,535	36
21341	24MP-3	\$ 6,079	36	22101	18MP-1/4L	\$ 2,984	36
21343	24MP-3X	\$ 7,526	37	22102	18M-1/4LX	\$ 4,304	37
21350	30M-1/2	\$ 5,804	36	22103	18MP-1/4LX	\$ 4,314	37
21351	30MP-1/2	\$ 5,766	36	22110	24M-1/4L	\$ 3,620	36
21352	30M-1/2X	\$ 6,763	37	22111	24MP-1/4L	\$ 3,599	36
21353	30MP-1/2X	\$ 6,842	37	22112	24M-1/4LX	\$ 4,394	37
21360	30M-1-1/2	\$ 6,519	36	22113	24MP-1/4LX	\$ 4,399	37
21361	30MP-1-1/2	\$ 6,249	36	22120	24M-1/2L	\$ 3,938	36
21362	30M-1-1/2X	\$ 9,100	37	22121	24MP-1/2L	\$ 3,901	36
21363	30MP-1-1/2X	\$ 8,173	37	22122	24M-1/2LX	\$ 4,897	37
21371	30MP-3	\$ 6,535	36	22123	24MP-1/2LX	\$ 4,971	37
21373	30MP-3X	\$ 7,977	37	22130	24M-1L	\$ 4,298	36
21380	36M-1-1/2	\$ 7,431	36	22131	24MP-1L	\$ 4,229	36
21381	36MP-1-1/2	\$ 7,160	36	22132	24M-1LX	\$ 5,168	37
21382	36M-1-1/2X	\$ 10,006	37	22133	24MP-1LX	\$ 5,226	39
21383	36MP-1-1/2X	\$ 7,708	37	22141	24MP-3L	\$ 5,211	36
21390	36M-2	\$ 7,775	36	22143	24MP-3LX	\$ 6,238	37
21391	36MP-2	\$ 7,346	36	22150	30M-1/2L	\$ 4,362	36
21393	36MP-2X	\$ 7,906	37	22151	30MP-1/2L	\$ 4,325	36
21411	42MP-2	\$ 8,968	36	22152	30M-1/2LX	\$ 5,321	37
21413	42MP-2X	\$ 9,297	36	22153	30MP-1/2LX	\$ 5,395	37
21601	36MP-3	\$ 8,835	36	22160	30M-1-1/2L	\$ 5,077	36
21603	36MP-3X	\$ 10,796	37	22161	30MP-1-1/2L	\$ 4,807	36
21621	42MP-5	\$ 10,234	37	22162	30M-1-1/2LX	\$ 7,653	37
21623	42MP-5X	\$ 13,303	36	22163	30MP-1-1/2LX	\$ 5,711	37
21631	48MP-7-1/2	\$ 14,405	35	22171	30MP-3L	\$ 5,088	36
21633	48MP-7-1/2X	\$ 15,386	36	22173	30MP-3LX	\$ 6,535	37
21700	18M-1/4M	\$ 3,689	36	22180	36M-1-1/2L	\$ 5,857	36
21701	18MP-1/4M	\$ 3,641	36	22181	36MP-1-1/2L	\$ 5,586	36

**Table Of Contents - Part Number Index**

EDP Number	Catalog Number	List Price	Page	EDP Number	Catalog Number	List Price	Page
22182	36M-1-1/2LX	\$ 8,438	37	◀ 23016	LPSF20	\$ 522	40
22183	36MP-1-1/2LX	\$ 6,372	37	23060	10EPR	\$ 244	41
22190	36M-2L	\$ 6,201	36	23070	12EPR	\$ 255	41
22191	36MP-2L	\$ 5,772	36	23080	16EPR	\$ 316	41
22193	36MP-2LX	\$ 6,570	37	23090	18EPR	\$ 320	41
22211	42MP-2L	\$ 7,060	36	23163	DF-4	\$ 17	82
22213	42MP-2LX	\$ 7,682	37	23164	DF-6	\$ 20	82
22401	36MP-3L	\$ 7,240	36	23165	BD-4	\$ 12	82
22403	36MP-3LX	\$ 9,222	37	23166	BD-6	\$ 16	82
22421	42MP-5L	\$ 8,332	36	23168	DT-6	\$ 49	81
22423	42MP-5LX	\$ 11,400	37	23170	DF-8	\$ 32	82
22431	48MP-7-1/2L	\$ 11,851	36	23171	BD-8	\$ 26	82
22433	48MP-7-1/2LX	\$ 12,974	37	23172	BD-10	\$ 40	82
22440	Yoke Mount-Tilt	\$ 918	37	23173	DT-10	\$ 60	81
22441	Yoke Mount-Tilt, Swivel	\$ 1,468	37	23177	DF-5	\$ 18	82
22450	Yoke Mount-Tilt	\$ 932	37	23178	BD-12	\$ 60	82
22451	Yoke Mount-Tilt, Swivel	\$ 1,479	37	23179	DF-12	\$ 48	82
22460	Yoke Mount-Tilt	\$ 1,008	37	23180	DF-10	\$ 40	82
22461	Yoke Mount-Tilt, Swivel	\$ 1,569	37	23190	AIF100B	\$ 212	82
22470	Yoke Mount-Tilt	\$ 1,251	37	23191	AIF125B	\$ 218	82
22471	Yoke Mount-Tilt, Swivel	\$ 1,855	37	23192	AIF150B ES	\$ 302	82
22480	Casters	\$ 567	37	23193	AIF200B ES	\$ 335	82
22490	Casters	\$ 790	37	23194	AIF300B ES	\$ 605	82
22611	WC12	\$ 176	41, 42, 56	23201	PS-DB	\$ 130	82
22621	WC16	\$ 186	41, 42, 48, 56	23202	AIF100A ES	\$ 207	82
22631	WC18	\$ 221	41, 42, 44, 48, 56	23203	AIF125A ES	\$ 215	82
22641	WC24	\$ 276	42, 44, 48, 51, 55, 56	23204	AIF150A ES	\$ 221	82
22651	WC30	\$ 389	44, 48, 51, 55, 56	23205	AIF200A ES	\$ 309	82
22661	WC36	\$ 515	44, 48, 51, 55, 56	23206	AIF250 ES	\$ 423	82
22671	WC42	\$ 725	48, 51, 55, 56	23207	AIF300A ES	\$ 523	82
22681	WC48	\$ 870	48, 51, 55, 56	23605	12RG	\$ 298	42, 48, 58
22691	WC54	\$ 1,120	55, 56	23610	16RG	\$ 374	42, 48, 58
22701	WC60	\$ 1,385	55, 56	23615	18RG	\$ 426	42, 48, 58
22747	WRHD48	\$ 1,204	48, 53	23620	24RG	\$ 450	42, 48, 51, 55, 58
22748	WRHD54	\$ 1,710	53, 54	23625	30RG	\$ 482	44, 48, 51, 55, 58
22749	WRHD60	\$ 1,875	53, 54	23630	36RG	\$ 788	44, 48, 51, 55, 58
22754	WC9	\$ 164	41, 56	23635	42RG	\$ 1,010	48, 51, 55, 58
22755	WC10	\$ 176	41, 42, 48, 56	23640	48RG	\$ 1,232	48, 51, 55, 58
22900	MK5047-F	\$ 268	41, 45, 48, 88	23645	54RG	\$ 1,410	55, 58
22905	MK5047-C	\$ 268	45, 48, 88	23650	60RG	\$ 1,601	55, 58
22908	MK5047-E	\$ 268	48, 88	23660	12FG	\$ 257	42, 48, 58
22910	MK-4782-F	\$ 303	48, 88	23665	16FG	\$ 273	42, 48, 58
22915	MK-4782-C	\$ 303	48, 88	23670	18FG	\$ 310	42, 44, 48, 58
22918	MK-4782-E	\$ 303	48, 88	23675	24FG	\$ 342	42, 44, 48, 51, 55, 58
22970	EASR-MF-10"	\$ 78	41, 56	23680	30FG	\$ 374	44, 48, 51, 55, 58
22971	EASR-MF-12"	\$ 84	41, 42, 48, 56	23685	36FG	\$ 458	44, 48, 51, 55, 58
22972	EASR-MF-14"	\$ 98	41, 42, 56	23690	42FG	\$ 543	48, 51, 55, 58
22973	EASR-MF-18"	\$ 127	41, 42, 48, 56	23695	48FG	\$ 593	48, 51, 55, 58
22974	EASR-MF-20"	\$ 140	41, 42, 44, 48, 56	23700	54FG	\$ 697	55, 58
22975	EASR-MF-26"	\$ 181	42, 44, 48, 51, 54, 56	23705	60FG	\$ 802	55, 58
22976	EASR-MF-32"	\$ 221	44, 48, 51, 54, 56	◀ 24100	10EPR16	\$ 506	41
22977	EASR-MF-38"	\$ 320	44, 48, 51, 54, 56	◀ 24110	12EPR16	\$ 527	41
22978	EASR-MF-44"	\$ 373	48, 51, 54, 56	◀ 24120	16EPR16	\$ 639	41
22979	EASR-MF-50"	\$ 435	48, 51, 54, 56	◀ 24130	18EPR16	\$ 679	41
22980	EASR-MF-56"	\$ 523	54, 56	◀ 24201	PD18T-D3A	\$ 801	44
22981	EASR-MF-62"	\$ 584	54, 56	◀ 24211	PD24T-E3A	\$ 908	44
22982	MTR-556 SP	\$ 261	41, 45, 48, 88	◀ 24221	PD30T-G3A	\$ 1,804	44
22983	MTR-556 DP	\$ 280	48, 88	◀ 24231	PD36R-G3A	\$ 2,127	44
22984	MTR-885 DP	\$ 379	48, 88	◀ 24260	PD24T-E8A	\$ 1,760	44
◀ 23000	EPRSM7	\$ 301	40	◀ 24270	PD30T-G8	\$ 1,889	44
23001	EPRSM10	\$ 324	40	◀ 24280	PD36R-G8	\$ 2,206	44
23002	EPRSM12	\$ 368	40	◀ 24350	12EXG16	\$ 1,725	42
23003	EPRSM16	\$ 550	40	◀ 24360	16EXG16	\$ 1,997	42
23004	EPRSM18	\$ 614	40	24371	18EXG16A	\$ 2,026	42
23005	EPRSM24	\$ 769	40	◀ 24381	24EXG16A	\$ 2,079	42
23007	EPRSM20	\$ 654	40	24391	18EBX836A	\$ 2,190	42
◀ 23008**	EPRSM30	\$ 917	40	24401	24EBX836A	\$ 2,276	42
◀ 23011	LPSF10	\$ 258	40	24820	T-1	\$ 266	41, 45, 81, 88
◀ 23012	LPSF16	\$ 440	40	24830	90015 (G1E1)	\$ 160	81
◀ 23013	LPSF18	\$ 491	40	24848	374111	\$ 77	35
◀ 23014	LPSF24	\$ 615	40	24852	Switch	\$ 60	41, 45
◀ 23015	LPSF12	\$ 294	40	24855	485210	\$ 74	35, 41, 82

## Table Of Contents - Part Number Index

EDP Number	Catalog Number	List Price	Page	EDP Number	Catalog Number	List Price	Page
24860	596321	\$ 152	35	30520	UP60H-L8	\$ 11,818	68
24880	H-1	\$ 313	35, 81, 88	30600	UPB24R-G3	\$ 3,712	69
◀ 25300	H12V76-1	\$ 1,229	46	30610	UPB24R-H3	\$ 3,841	69
◀ 25305	H16V76-1	\$ 1,497	46	30620	UPB24R-I3	\$ 3,840	69
25310	H16V836-1	\$ 1,441	46	30630	UPB30R-H3	\$ 4,620	69
25315	H18V76-1	\$ 1,607	46	30640	UPB30R-I3	\$ 4,647	69
◀ 25320	H18V836-1	\$ 1,560	46	30650	UPB30R-J3	\$ 4,799	69
25325	H18VEX76-1	\$ 2,087	46	30670	UPB36R-I3	\$ 5,572	69
25330	H18V3EX836-1	\$ 2,340	46	30680	UPB36R-J3	\$ 5,714	69
◀ 25335	H24V76-2	\$ 2,079	46	30720	UPB42R-J3	\$ 6,453	69
◀ 25340	H24V836-2	\$ 1,860	46	30850	UPB24R-G8	\$ 3,636	69
25345	H24VEX76-2	\$ 2,577	46	30860	UPB24R-H8	\$ 3,683	69
25350	H24VEX836-2	\$ 2,691	46	30870	UPB24R-I8	\$ 3,664	69
25355	H30V76-1	\$ 3,842	46	30880	UPB30R-H8	\$ 4,477	69
25360	H30V836-1	\$ 2,413	46	30890	UPB30R-I8	\$ 4,559	69
◀ 25365	H30V836-3	\$ 2,631	46	30900	UPB30R-J8	\$ 4,722	69
25370	H30VEX76-1	\$ 6,068	46	30910	UPB30R-K8	\$ 4,714	69
25375	H30VEX836-1	\$ 4,822	46	30920	UPB36R-I8	\$ 5,355	69
25380	H30VEX836-3	\$ 4,862	46	30930	UPB36R-J8	\$ 5,639	69
25385	H36V836-3	\$ 2,856	46	30940	UPB36R-K8	\$ 5,521	69
◀ 25390	H36V836-1	\$ 2,875	46	30950	UPB36R-L8	\$ 6,007	69
◀ 25395	H36V836-2	\$ 3,274	46	30960	UPB36R-M8	\$ 6,663	69
25400	H36VEX836-3	\$ 5,071	46	30970	UPB42R-J8	\$ 6,402	69
25405	H36VEX836-1	\$ 5,104	46	30980	UPB42R-K8	\$ 6,339	69
25410	H36VEX836-2	\$ 6,142	46	30990	UPB42R-L8	\$ 6,751	69
25415	H42V836-3	\$ 3,740	46	31000	UPB42R-M8	\$ 7,383	69
25420	H42V836-1	\$ 4,469	46	31010	UPB48R-L8	\$ 7,710	69
◀ 25425	H42V836-2	\$ 4,710	46	31020	UPB48R-M8	\$ 7,973	69
25435	H42VEX836-1	\$ 6,789	46	31030	UPB60R-L8	\$ 10,652	69
25440	H42VEX836-2	\$ 7,626	46	31040	UPB60R-M8	\$ 11,160	69
25445	H48V836-3	\$ 6,392	46	31050	PACN31.5-8	\$ 356	68
◀ 25450	H48V836-2	\$ 6,854	46	31055	PACN37.5-8	\$ 425	68
25460	H48VEX836-2	\$ 9,758	46	31060	PACN43.5-8	\$ 491	68
25602	PB24RA-F1A	\$ 1,342	50	31065	PACN49.5-8	\$ 562	68
◀ 25612	PB24RA-G1APB	\$ 1,399	50	31070	PACN55.5-8	\$ 664	68
25622	PB30RA-F1A	\$ 1,395	50	31075	PACN61.5-8	\$ 695	68
◀ 25632	PB30RA-G1APB	\$ 1,422	50	31080	PACN73.5-8	\$ 833	68
25652	PB36RA-F1A	\$ 1,627	50	31100	PACA17.75-8	\$ 200	71, 72, 79, 80
◀ 25662	PB36RA-G1APB	\$ 1,649	50	31101	PACA17.75-12	\$ 217	71, 72, 79
25682	PB42RA-F1A	\$ 2,246	50	31102	PACA20-8	\$ 223	71, 72, 74, 76, 80
25692	PB42RA-G1A	\$ 2,263	50	31103	PACA20-12	\$ 241	71, 72, 74, 76, 79
25702	PB42RA-H3A	\$ 2,489	50	31104	PACA20-18V	\$ 522	76
◀ 25712	PB42RA-I3A	\$ 2,499	50	31107	PACA23.75-8	\$ 252	71, 72, 74, 76, 78
25722	PB48RA-G1A	\$ 2,407	50	31108	PACA23.75-12	\$ 273	74, 76, 78
25732	PB48RA-H3A	\$ 2,607	50	31109	PACA23.75-18V	\$ 566	76, 78
◀ 25742	PB48RAI3A	\$ 2,586	50	31110	PACA25-8	\$ 258	71, 80
25811	PB24RA-G8A	\$ 1,673	50	31111	PACA25-12	\$ 280	71
25831	PB30RA-G8A	\$ 1,679	50	31112	PACA27-8	\$ 265	74, 76, 78
◀ 25861	PB36RA-G8APB	\$ 1,914	50	31113	PACA27-12	\$ 287	74, 76, 78
25891	PB42RA-G8A	\$ 2,548	50	31114	PACA27-18V	\$ 585	76, 78
◀ 25911	PB42RA-I8A	\$ 2,770	50	31115	PACA32-8	\$ 300	74, 76, 78
25921	PB48RA-G8A	\$ 2,695	50	31116	PACA32-12	\$ 325	74, 76, 78
25941	PB48RA-I8A	\$ 2,888	50	31117	PACA32-18V	\$ 639	76, 78
				31118	PACA39-8	\$ 365	74, 76, 78
				31119	PACA39-12	\$ 395	74, 76, 78
				31120	PACA39-18V	\$ 735	76, 78
<b>3</b>				31121	PACA43-8	\$ 391	74, 76
30250	UP18H-G3	\$ 3,120	68	31122	PACA43-12	\$ 423	74, 76
30260	UP24H-F3	\$ 3,683	68	31123	PACA43-18V	\$ 774	76
30270	UP24H-I3	\$ 3,516	68	32002	PLDA12FZ	\$ 2,279	60
30280	UP30H-H3	\$ 3,392	68	32003	PLDA12FZ	\$ 2,327	61
30400	UP18H-G8	\$ 3,065	68	32004	PLDA12FZ	\$ 3,090	61
30410	UP24H-F8	\$ 5,043	68	32005	PLDA12FZ	\$ 2,776	62
30420	UP24H-I8	\$ 3,526	68	32008	PLDA12HZ	\$ 2,047	59
30430	UP30H-H8	\$ 4,559	68	32009	PLDA12HZ	\$ 2,412	61
30440	UP30H-K8	\$ 4,584	68	32010	PLDA12HZ	\$ 3,286	61
30450	UP36H-I8	\$ 5,345	68	32011	PLDA12HZ	\$ 3,424	62
30460	UP36H-L8	\$ 5,628	68	32014	PLDA18CA	\$ 2,227	59
30470	UP42H-I8	\$ 7,478	68	32015	PLDA18CA	\$ 2,214	60
30480	UP42H-K8	\$ 7,490	68	32016	PLDA18CA	\$ 2,884	60
30490	UP42H-M8	\$ 7,545	68	32017	PLDA18CA	\$ 2,889	62
30500	UP48H-K8	\$ 9,579	68	32020	PLDA18DA	\$ 2,439	60
30510	UP48H-M8	\$ 9,672	68				

## Table Of Contents - Part Number Index

EDP Number	Catalog Number	List Price	Page	EDP Number	Catalog Number	List Price	Page
32021	PLDA18DA	\$ 2,362	61	32134	PLDA42PC	\$ 8,061	62
32022	PLDA18DA	\$ 3,312	61	32136	PLDA48OC	\$ 7,371	60
32023	PLDA18DA	\$ 3,204	62	32138	PLDA48OD	\$ 9,720	61
32026	PLDA18JA	\$ 2,878	60	32140	PLDA48PD	\$ 9,913	60
32027	PLDA18JA	\$ 2,841	60	32141	PLDA Accessory	\$ 108	63
32028	PLDA18JA	\$ 3,843	61	32143	PLDA Accessory	\$ 171	63
32029	PLDA18JA	\$ 3,917	62	32144	PLDA Accessory	\$ 1,031	63
32032	PLDA24CA	\$ 2,443	60	32145	PLDA Accessory	\$ 149	63
32033	PLDA24CA	\$ 2,425	61	32146	PLDA Accessory	\$ 138	63
32034	PLDA24CA	\$ 3,096	61	32147	PLDA Accessory	\$ 599	63
32035	PLDA24CA	\$ 3,105	62	32148	PLDA Accessory	\$ 175	63
32038	PLDA24DC	\$ 3,641	60	32149	PLDA Accessory	\$ 1,085	63
32039	PLDA24DC	\$ 3,546	60	32151	PLDA Accessory	\$ 149	63
32040	PLDA24DC	\$ 4,447	61	32152	PLDA Accessory	\$ 162	63
32041	PLDA24DC	\$ 4,675	62	32153	PLDA Accessory	\$ 617	63
32044	PLDA24FA	\$ 3,196	60	32154	PLDA Accessory	\$ 189	63
32045	PLDA24FA	\$ 3,159	60	32155	PLDA Accessory	\$ 1,382	63
32046	PLDA24FA	\$ 4,155	61	32156	PLDA Accessory	\$ 212	63
32047	PLDA24FA	\$ 4,229	62	32157	PLDA Accessory	\$ 198	63
32051	PLDA24HC	\$ 4,330	60	32158	PLDA Accessory	\$ 738	63
32052	PLDA24HC	\$ 3,747	61	32159	PLDA Accessory	\$ 244	63
32053	PLDA24HC	\$ 5,459	61	32160	PLDA Accessory	\$ 1,688	63
32054	PLDA24HC	\$ 5,189	62	32161	PLDA Accessory	\$ 212	63
32057	PLDA24JA	\$ 3,556	60	32162	PLDA Accessory	\$ 198	63
32058	PLDA24JA	\$ 3,487	61	32163	PLDA Accessory	\$ 747	63
32059	PLDA24JA	\$ 4,426	61	32164	PLDA Accessory	\$ 265	63
32060	PLDA24JA	\$ 3,807	62	32165	PLDA Accessory	\$ 1,742	63
32062	PLDA24OA	\$ 4,049	61	32166	PLDA Accessory	\$ 275	63
32063	PLDA24OA	\$ 5,496	62	32167	PLDA Accessory	\$ 244	63
32066	PLDA27FA	\$ 2,974	60	32168	PLDA Accessory	\$ 765	63
32067	PLDA27FA	\$ 2,943	61	32169	PLDA Accessory	\$ 302	63
32068	PLDA27FA	\$ 3,789	61	32171	PLDA Accessory	\$ 2,052	63
32069	PLDA27FA	\$ 4,542	62	32172	PLDA Accessory	\$ 323	63
32073	PLDA27JA	\$ 3,816	60	32173	PLDA Accessory	\$ 279	63
32074	PLDA27JA	\$ 3,747	61	32174	PLDA Accessory	\$ 801	63
32075	PLDA27JA	\$ 4,691	61	32175	PLDA Accessory	\$ 356	63
32076	PLDA27JA	\$ 4,749	62	32176	PLDA Accessory	\$ 2,426	63
32079	PLDA27MA	\$ 4,494	60	32177	PLDA Accessory	\$ 275	63
32080	PLDA27MA	\$ 3,451	61	32178	PLDA Accessory	\$ 293	63
32081	PLDA27MA	\$ 8,008	61	32179	PLDA Accessory	\$ 828	63
32082	PLDA27MA	\$ 5,116	62	32180	PLDA Accessory	\$ 486	63
32085	PLDA30FA	\$ 3,678	60	32181	PLDA Accessory	\$ 2,876	63
32086	PLDA30FA	\$ 3,641	61	32182	PLDA Accessory	\$ 338	63
32087	PLDA30FA	\$ 3,937	61	32185	PLDXA12CA	\$ 3,032	64
32088	PLDA30FA	\$ 4,712	62	32186	PLDXA12CA	\$ 2,556	64
32091	PLDA30HC	\$ 4,664	60	32187	PLDXA12CA	\$ 3,010	65
32092	PLDA30HC	\$ 4,081	61	32188	PLDXA12CA	\$ 3,811	67
32093	PLDA30HC	\$ 5,793	61	32191	PLDXA12FA	\$ 2,695	64
32094	PLDA30HC	\$ 5,523	62	32192	PLDXA12FA	\$ 3,191	65
32097	PLDA30MA	\$ 4,659	60	32193	PLDXA12FA	\$ 3,478	66
32098	PLDA30MA	\$ 4,229	61	32194	PLDXA12FA	\$ 4,097	67
32100	PLDA30MA	\$ 5,256	62	32197	PLDXA12HA	\$ 2,893	64
32102	PLDA30MC	\$ 4,892	61	32198	PLDXA12HA	\$ 3,413	65
32103	PLDA30MC	\$ 5,836	62	32199	PLDXA12HA	\$ 3,757	66
32105	PLDA30OA	\$ 4,404	61	32200	PLDXA12HA	\$ 4,426	67
32106	PLDA30OA	\$ 5,851	62	32203	PLDXA15CA	\$ 3,254	64
32109	PLDA34KA	\$ 5,062	60	32204	PLDXA15CA	\$ 3,233	65
32110	PLDA34KA	\$ 4,068	61	32205	PLDXA15CA	\$ 4,023	66
32111	PLDA34KA	\$ 7,643	61	32206	PLDXA15CA	\$ 4,033	67
32112	PLDA34KA	\$ 5,701	62	32209	PLDXA15DA	\$ 3,461	64
32115	PLDA34MA	\$ 5,316	60	32210	PLDXA15DA	\$ 3,366	65
32116	PLDA34MA	\$ 4,887	61	32211	PLDXA15DA	\$ 3,811	66
32118	PLDA34MA	\$ 5,818	62	32212	PLDXA15DA	\$ 4,357	67
32120	PLDA34MC	\$ 5,417	61	32215	PLDXA15FA	\$ 3,466	64
32121	PLDA34MC	\$ 6,286	62	32216	PLDXA15FA	\$ 3,429	65
32123	PLDA34OC	\$ 5,494	61	32217	PLDXA15FA	\$ 4,426	66
32124	PLDA34OC	\$ 8,454	62	32218	PLDXA15FA	\$ 4,505	67
32126	PLDA42JD	\$ 6,429	61	32221	PLDXA15HA	\$ 3,583	64
32128	PLDA42MC	\$ 6,106	61	32222	PLDXA15HA	\$ 3,535	65
32129	PLDA42MC	\$ 6,867	62	32223	PLDXA15HA	\$ 4,712	66
32131	PLDA42MD	\$ 7,547	61	32224	PLDXA15HA	\$ 4,680	67
32133	PLDA42PC	\$ 7,447	61	32227	PLDXA18CA	\$ 3,424	64



**Table Of Contents - Part Number Index**

EDP Number	Catalog Number	List Price	Page	EDP Number	Catalog Number	List Price	Page
32228	PLDXA18CA	\$ 3,408	65	32335	PLDXA30MA	\$ 7,818	67
32229	PLDXA18CA	\$ 4,198	66	32337	PLDXA30OA	\$ 6,084	65
32230	PLDXA18CA	\$ 4,203	67	32338	PLDXA30OA	\$ 7,531	67
32233	PLDXA18DA	\$ 3,620	64	32341	PLDXA34KA	\$ 6,789	64
32234	PLDXA18DA	\$ 3,525	65	32342	PLDXA34KA	\$ 6,519	65
32235	PLDXA18DA	\$ 4,643	66	32343	PLDXA34KA	\$ 9,370	66
32236	PLDXA18DA	\$ 4,516	67	32344	PLDXA34KA	\$ 7,168	66
32239	PLDXA18FA	\$ 3,625	64	32347	PLDXA34MA	\$ 7,261	64
32240	PLDXA18FA	\$ 3,588	65	32348	PLDXA34MA	\$ 6,826	65
32241	PLDXA18FA	\$ 4,585	66	32349	PLDXA34MA	\$ 10,775	66
32242	PLDXA18FA	\$ 4,659	67	32352	PLDXA34MA	\$ 7,465	66
32245	PLDXA18JA	\$ 4,102	64	32354	PLDXA34OA	\$ 7,001	65
32246	PLDXA18JA	\$ 34,033	65	32355	PLDXA34OA	\$ 8,443	67
32247	PLDXA18JA	\$ 4,977	66	32358	PLDXA42KA	\$ 8,321	64
32248	PLDXA18JA	\$ 5,035	67	32359	PLDXA42KA	\$ 8,051	65
32251	PLDXA18KA	\$ 4,198	64	32360	PLDXA42KA	\$ 10,902	66
32252	PLDXA18KA	\$ 4,468	65	32361	PLDXA42KA	\$ 8,469	66
32253	PLDXA18KA	\$ 6,116	66	32364	PLDXA42MA	\$ 8,586	64
32254	PLDXA18KA	\$ 5,980	66	32365	PLDXA42MA	\$ 8,157	65
32257	PLDXA24FA	\$ 3,922	64	32366	PLDXA42MA	\$12,160	66
32258	PLDXA24FA	\$ 3,885	65	32367	PLDXA42MA	\$ 8,590	66
32259	PLDXA24FA	\$ 4,881	66	32369	PLDXA42OA	\$ 8,332	65
32260	PLDXA24FA	\$ 4,956	67	32372	PLDXA42OA	\$ 9,773	67
32263	PLDXA24HA	\$ 4,102	64	32374	PLDXA42PA	\$ 9,100	65
32264	PLDXA24HA	\$ 4,055	65	32375	PLDXA42PA	\$ 10,955	67
32265	PLDXA24HA	\$ 4,441	66	32377	PLDXA48PA	\$ 13,043	65
32266	PLDXA24HA	\$ 5,199	67	32378	PLDXA48PA	\$ 14,898	67
32269	PLDXA24JA	\$ 4,335	64	32380	PLDXA48QA	\$ 13,754	65
32270	PLDXA24JA	\$ 4,267	65	32381	PLDXA48QA	\$ 15,070	66
32271	PLDXA24JA	\$ 5,210	66	32383	PLDXA48RA	\$ 14,421	65
32272	PLDXA24JA	\$ 5,263	67	32384	PLDXA48RA	\$ 15,781	66
32275	PLDXA24KA	\$ 5,427	64	32385	PLDXA Accessory	\$ 108	68
32276	PLDXA24KA	\$ 5,178	65	32387	PLDXA Accessory	\$ 171	68
32277	PLDXA24KA	\$ 8,008	66	32388	PLDXA Accessory	\$ 454	68
32278	PLDXA24KA	\$ 7,081	67	32389	PLDXA Accessory	\$ 1,030	68
32281	PLDXA24MA	\$ 5,682	64	32391	PLDXA Accessory	\$ 148	68
32282	PLDXA24MA	\$ 5,247	65	32392	PLDXA Accessory	\$ 133	68
32283	PLDXA24MA	\$ 9,196	66	32394	PLDXA Accessory	\$ 171	68
32284	PLDXA24MA	\$ 7,213	67	32395	PLDXA Accessory	\$ 454	68
32286	PLDXA24OA	\$ 5,565	65	32396	PLDXA Accessory	\$ 1,053	68
32287	PLDXA24OA	\$ 7,007	67	32397	PLDXA Accessory	\$ 148	68
32290	PLDXA27HA	\$ 5,093	64	32398	PLDXA Accessory	\$ 138	68
32291	PLDXA27HA	\$ 5,046	65	32399	PLDXA Accessory	\$ 598	68
32292	PLDXA27HA	\$ 6,228	66	32400	PLDXA Accessory	\$ 175	68
32293	PLDXA27HA	\$ 6,196	67	32401	PLDXA Accessory	\$ 454	68
32296	PLDXA27JA	\$ 5,327	64	32402	PLDXA Accessory	\$ 1,084	68
32297	PLDXA27JA	\$ 5,258	65	32403	PLDXA Accessory	\$ 148	68
32298	PLDXA27JA	\$ 6,196	66	32404	PLDXA Accessory	\$ 191	68
32299	PLDXA27JA	\$ 6,254	67	32405	PLDXA Accessory	\$ 616	68
32302	PLDXA27KA	\$ 5,692	64	32406	PLDXA Accessory	\$ 189	68
32303	PLDXA27KA	\$ 5,422	65	32407	PLDXA Accessory	\$ 454	68
32304	PLDXA27KA	\$ 8,268	66	32408	PLDXA Accessory	\$ 1,381	68
32305	PLDXA27KA	\$ 7,341	67	32409	PLDXA Accessory	\$ 212	68
32308	PLDXA27MA	\$ 6,016	64	32412	PLDXA Accessory	\$ 198	68
32309	PLDXA27MA	\$ 5,581	65	32413	PLDXA Accessory	\$ 738	68
32310	PLDXA27MA	\$ 9,529	66	32414	PLDXA Accessory	\$ 244	68
32311	PLDXA27MA	\$ 7,547	67	32415	PLDXA Accessory	\$ 495	68
32314	PLDXA30FA	\$ 4,971	64	32416	PLDXA Accessory	\$ 1,687	68
32315	PLDXA30FA	\$ 4,934	65	32417	PLDXA Accessory	\$ 211	68
32316	PLDXA30FA	\$ 5,931	66	32418	PLDXA Accessory	\$ 198	68
32317	PLDXA30FA	\$ 6,010	67	32419	PLDXA Accessory	\$ 747	68
32320	PLDXA30JA	\$ 5,517	64	32420	PLDXA Accessory	\$ 265	68
32321	PLDXA30JA	\$ 5,448	65	32421	PLDXA Accessory	\$ 495	68
32322	PLDXA30JA	\$ 6,392	66	32422	PLDXA Accessory	\$ 1,741	68
32323	PLDXA30JA	\$ 6,445	67	32423	PLDXA Accessory	\$ 212	68
32326	PLDXA30KA	\$ 6,037	64	32424	PLDXA Accessory	\$ 244	68
32327	PLDXA30KA	\$ 5,766	65	32425	PLDXA Accessory	\$ 765	68
32328	PLDXA30KA	\$ 8,618	66	32426	PLDXA Accessory	\$ 301	67
32329	PLDXA30KA	\$ 7,685	67	32427	PLDXA Accessory	\$ 495	67
32332	PLDXA30MA	\$ 6,286	64	32428	PLDXA Accessory	\$ 2,052	67
32333	PLDXA30MA	\$ 5,851	65	32429	PLDXA Accessory	\$ 323	67
32334	PLDXA30MA	\$ 9,800	66	32431	PLDXA Accessory	\$ 279	67

**Table Of Contents - Part Number Index**

EDP Number	Catalog Number	List Price	Page	EDP Number	Catalog Number	List Price	Page
32432	PLDXA Accessory	\$ 801	67	32514	CBD365KA	\$ 5,742	74
32433	PLDXA Accessory	\$ 355	67	32516	CBD365OA	\$ 6,159	74
32434	PLDXA Accessory	\$ 544	67	32517	CBD365PA	\$ 7,062	74
32435	PLDXA Accessory	\$ 2,425	67	32518	BD37A	\$ 153	74, 76, 78
32436	PLDXA Accessory	\$ 274	67	32524	CBU130CA	\$ 2,258	76
32437	PLDXA Accessory	\$ 292	67	32525	CBU130DA	\$ 2,268	76
32438	PLDXA Accessory	\$ 828	67	32526	CBU130FA	\$ 2,299	76
32439	PLDXA Accessory	\$ 486	67	32527	CBU130FA	\$ 2,286	76
32440	PLDXA Accessory	\$ 544	67	32528	CBU150DA	\$ 2,399	76
32441	PLDXA Accessory	\$ 2,875	67	32529	CBU150FA	\$ 2,430	76
32442	PLDXA Accessory	\$ 337	67	32531	CBU150FA	\$ 2,417	76
32443	EGRV120	\$ 440	80	32532	CBU150HA	\$ 2,480	76
32444	EGRV140	\$ 969	80	32533	CBU150HA	\$ 2,444	76
32445	EGRV180	\$ 1,271	80	32534	CBU150JA	\$ 2,571	76
32446	CDD100-2	\$ 796	72	32535	CBU150JA	\$ 2,473	76
32447	CDD120-2	\$ 904	72	32536	CBU180DA	\$ 2,844	76
32449	CDD330B-2	\$ 1,209	72	32537	CBU180FA	\$ 2,775	76
32451	CDD550B-2	\$ 1,457	72	32538	CBU180FA	\$ 2,760	76
32452	BD14.5A	\$ 72	70, 71, 78, 80	32539	CBU180HA	\$ 2,825	76
32453	BD16.75A	\$ 81	70, 71, 74, 76, 78, 80	32540	CBU180HA	\$ 2,787	76
32454	BD21.75A	\$ 113	70, 80	32541	CBU180JA	\$ 2,920	76
32455	BD29A	\$ 161	74, 76, 78	32542	CBU180JA	\$ 2,829	76
32456	BD23.75A	\$ 124	74, 76, 78	32543	CBU180KA	\$ 3,900	76
32457	BD44A	\$ 246	74, 76, 78	32544	CBU180KA	\$ 2,909	76
32458	BD39.75A	\$ 268	74, 76	32546	CBU200FA	\$ 3,217	76
32459	CBD130CA	\$ 1,708	74	32547	CBU200FA	\$ 3,203	76
32460	CBD130DA	\$ 1,732	74	32548	CBU200HA	\$ 3,266	76
32461	CBD130FA	\$ 1,773	74	32549	CBU200HA	\$ 3,229	76
32462	CBD130FA	\$ 1,826	74	32552	CBU200JA	\$ 3,358	76
32463	CBD150DA	\$ 1,890	74	32553	CBU200JA	\$ 3,270	76
32464	CBD150FA	\$ 1,948	74	32554	CBU200KA	\$ 3,511	76
32465	CBD150FA	\$ 1,946	74	32555	CBU200KA	\$ 3,348	76
32466	CBD150HA	\$ 2,017	74	32556	CBU245HA	\$ 3,882	76
32467	CBD150HA	\$ 1,970	74	32557	CBU245HA	\$ 3,845	76
32468	CBD150JA	\$ 2,135	74	32558	CBU245JA	\$ 3,975	76
32469	CBD150JA	\$ 2,010	74	32559	CBU245JA	\$ 3,886	76
32471	CBD180DA	\$ 2,632	74	32560	CBU245KA	\$ 4,128	76
32472	CBD180FA	\$ 2,682	74	32561	CBU245KA	\$ 3,964	76
32473	CBD180FA	\$ 2,758	74	32562	CBU245MA	\$ 4,398	76
32474	CBD180HA	\$ 2,750	74	32563	CBU245OA	\$ 4,495	76
32475	CBD180HA	\$ 2,778	74	32564	CBU245PA	\$ 5,114	76
32476	CBD180JA	\$ 2,851	74	32565	CBU300HA	\$ 5,910	76
32477	CBD180JA	\$ 2,813	74	32566	CBU300HA	\$ 5,847	76
32478	CBD180KA	\$ 2,972	74	32567	CBU300JA	\$ 6,025	76
32479	CBD180KA	\$ 2,870	74	32568	CBU300JA	\$ 5,886	76
32480	CBD180MA	\$ 3,447	74	32569	CBU300KA	\$ 6,203	76
32481	CBD180MA	\$ 3,272	74	32573	CBU300KA	\$ 5,917	76
32483	CBD200FA	\$ 2,718	74	32574	CBU300MA	\$ 6,437	76
32484	CBD200FA	\$ 2,776	74	32575	CBU300OA	\$ 6,618	76
32485	CBD200HA	\$ 2,784	74	32576	CBU300PA	\$ 7,411	76
32486	CBD200HA	\$ 2,795	74	32577	CBU365KA	\$ 7,005	76
32487	CBD200JA	\$ 2,880	74	32578	CBU365KA	\$ 6,695	76
32488	CBD200JA	\$ 2,881	74	32580	CBU365OA	\$ 7,127	76
32489	CBD200KA	\$ 3,029	74	32581	CBU365PA	\$ 8,059	76
32493	CBD200KA	\$ 2,884	74	32582	CBU-HP150DA	\$ 2,497	78
32494	CBD200MA	\$ 3,358	74	32583	CBU-HP150FA	\$ 2,529	78
32495	CBD245HA	\$ 3,637	74	32584	CBU-HP150FA	\$ 2,516	78
32496	CBD245HA	\$ 3,650	74	32585	CBU-HP150HA	\$ 2,581	78
32497	CBD245JA	\$ 3,742	74	32586	CBU-HP150HA	\$ 2,543	78
32498	CBD245JA	\$ 3,686	74	32587	CBU-HP150JA	\$ 2,680	78
32499	CBD245KA	\$ 3,905	73	32588	CBU-HP150JA	\$ 2,588	78
32500	CBD245KA	\$ 3,746	74	32589	CBU-HP180FA	\$ 2,844	78
32501	CBD245MA	\$ 4,267	74	32592	CBU-HP180FA	\$ 2,831	78
32502	CBD245OA	\$ 4,433	74	32593	CBU-HP180HA	\$ 2,897	78
32503	CBD300JA	\$ 4,743	74	32594	CBU-HP180HA	\$ 2,859	78
32504	CBD300JA	\$ 4,694	74	32595	CBU-HP180JA	\$ 2,997	78
32505	CBD300KA	\$ 4,886	74	32596	CBU-HP180JA	\$ 2,904	78
32506	CBD300KA	\$ 4,747	74	32597	CBU-HP180KA	\$ 3,162	78
32507	CBD300MA	\$ 5,203	74	32598	CBU-HP180KA	\$ 2,988	78
32508	CBD300OA	\$ 5,349	74	32599	CBU-HP180MA	\$ 4,073	78
32509	CBD300PA	\$ 4,986	74	32600	CBU-HP180MA	\$ 3,199	78
32513	CBD365KA	\$ 6,087	74	32601	CBU-HP200HA	\$ 3,369	78

## Table Of Contents - Part Number Index

EDP Number	Catalog Number	List Price	Page	EDP Number	Catalog Number	List Price	Page
32602	CBU-HP200HA	\$ 3,331	78	39181	36BDFF	\$ 1,604	33
32603	CBU-HP200JA	\$ 3,463	78	39191	42BDFF	\$ 1,782	33
32604	CBU-HP200KA	\$ 3,373	78	39201	36DDFF	\$ 1,443	33
32605	CBU-HP200KA	\$ 3,618	78	◀ 39220	CWF-30-2A	\$ 2,436	49
32606	CBU-HP200KA	\$ 3,452	78	39223	CWF-30-2A3E	\$ 3,406	49
32607	CBU-HP200MA	\$ 4,287	78	39225	CWF-30-2A1X	\$ 4,016	49
32608	CBU-HP245HA	\$ 3,876	78	◀ 39230	CWF-36-2A	\$ 2,729	49
32613	CBU-HP245HA	\$ 4,068	78	39234	CWF-36-2A1X	\$ 4,688	49
32614	CBU-HP245HA	\$ 4,029	78	39236	CWF-36-3AS1E	\$ 3,818	49
32615	CBU-HP245JA	\$ 4,165	78	39237	CWF-36-2A3E	\$ 3,605	49
32616	CBU-HP245JA	\$ 4,073	78	◀ 39240	CWF-42-3A	\$ 4,406	49
32617	CBU-HP245KA	\$ 4,325	78	39241	CWF-42-3A1X	\$ 5,691	49
32618	CBU-HP245KA	\$ 4,154	78	39246	CWF-480-4A1X	\$ 6,221	49
32619	CBU-HP245MA	\$ 4,913	78	39247	CWF-42-3A3E	\$ 4,512	49
32620	CBU-HP245MA	\$ 4,608	78	◀ 39250	CWF-48-4A	\$ 4,772	49
32621	CBU-HP245OA	\$ 5,783	78	39255	CWF-48-4A3E	\$ 5,052	49
32622	CBU-HP245OA	\$ 4,709	78	39257	CWF-48-4A1E	\$ 4,828	49
32623	CBU-HP245PA	\$ 5,357	78				
32624	CBU-HP300HA	\$ 5,913	78	<b>4</b>			
32625	CBU-HP300HA	\$ 6,297	78	40006	UCFG	\$ 370	35
32727	CDD300B-2	\$ 1,171	72	40060	MARK VI-60 *While Supplies Last*	\$ 374	35
32628	CBU-HP300KA	\$ 6,169	78	40123	MARK VI-115	\$ 241	35
32629	CBU-HP300KA	\$ 5,998	78	40124	MARK VI-277	\$ 268	35
32632	CBU-HP300MA	\$ 6,758	78	40129	MARK V IJetproof (JP-CP)	\$ 378	35
32633	CBU-HP300MA	\$ 6,139	78	40132	MARK I	\$ 125	35
32634	CBU-HP300OA	\$ 7,267	78	42500	HA24CA	\$ 1,650	53
32635	CBU-HP300OA	\$ 7,465	78	42503	HA24CA	\$ 1,741	53
32636	CBU-HP300PA	\$ 7,302	78	42506	HA24CA	\$ 1,867	54
32637	CDU100-2	\$ 942	79	42509	HA24DA	\$ 1,682	53
32638	CDU120-2	\$ 1,346	79	42512	HA24DA	\$ 1,836	53
32642	CDU300B-2	\$ 1,530	79	42518	HA24DA	\$ 1,937	53
32643	CDU500B-2	\$ 1,821	79	42521	HA24DA	\$ 1,842	54
32644	ARD100XB	\$ 501	71	42530	HA24FA	\$ 1,947	53
32645	ARD120XB	\$ 736	71	42533	HA24FA	\$ 1,886	53
32646	ARD140BC	\$ 939	71	42539	HA24FA	\$ 2,055	53
32647	ARD180DC	\$ 1,248	71	42542	HA24FA	\$ 1,950	54
32687	HVB24T	\$ 1,758	81	42545	HA24HA	\$ 1,996	53
32688	HVB30T	\$ 1,847	81	42548	HA24HA	\$ 1,889	53
32689	HVB36T	\$ 2,138	81	42554	HA24HA	\$ 2,075	53
32695	ALWL24	\$ 290	81	◀ 42557	HA24HA	\$ 2,003	54
32696	ALWL30	\$ 342	81	42563	HA24JA	\$ 1,938	53
32697	ALWL36	\$ 286	81	42566	HA24JA	\$ 1,862	53
32727	CDD300B-2	\$ 1,171	71	◀ 42569	HA24JA	\$ 2,053	53
32728	CDU330B-2	\$ 1,568	79	42572	HA24JA	\$ 1,921	54
32760	AS24A	\$ 257	81	42575	HA24KA	\$ 2,225	53
32761	AS30A	\$ 277	81	42581	HA24KA	\$ 2,052	53
32762	AS36R	\$ 345	81	42584	HA24KA	\$ 2,600	53
32763	AS36A	\$ 302	81	42587	HA24KA	\$ 2,202	54
37113	I-18TEHA	\$ 325	11, 15	42593	HA30DA	\$ 1,974	53
37114	I-20TEHA	\$ 339	11, 15	42596	HA30DA	\$ 2,145	53
37129	UP24WN-S8	\$ 1,413	5	42599	HA30DA	\$ 2,043	54
37135	UP30WN-S8	\$ 1,491	5	42605	HA30FA	\$ 2,151	53
37137	UP24LS16-S	\$ 843	4	42608	HA30FA	\$ 2,090	53
37138	UP30LS16-S	\$ 937	4	42618	HA30FA	\$ 2,170	53
37139	UP24LI16-S	\$ 956	4	42621	HA30FA	\$ 2,145	54
37140	UP30LI16-S	\$ 1,034	4	42624	HA30HA	\$ 2,154	53
37144	UP24LW16-S8	\$ 877	4	42627	HA30HA	\$ 2,091	53
37145	UP30LW16-S8	\$ 955	4	42630	HA30HA	\$ 2,289	53
37147	UP24IN-S	\$ 1,493	5	42633	HA30HA	\$ 2,199	54
37148	UP30IN-S	\$ 1,572	5	42639	HA30JA	\$ 2,214	53
37209	I-24-2	\$ 519	11	42642	HA30JA	\$ 2,130	53
37212	I-30	\$ 561	11	◀ 42648	HA30JA	\$ 2,325	53
37430	0-3B	\$ 394	13, 17	42651	HA30JA	\$ 2,237	54
37772	IAC-WB	\$ 66	14, 17, 23	42657	HA30KA	\$ 2,540	53
37773	IAC-WBS	\$ 227	28	42663	HA30KA	\$ 2,240	53
37784	IAC-BM-1	\$ 145	14, 18, 23	42666	HA30KA	\$ 2,305	53
38422	30-IAC-MGBO	\$ 687	12	42669	HA30KA	\$ 2,219	54
39130	M30RA	\$ 2,502	33	42672	HA36FA	\$ 2,309	53
39140	M36RA	\$ 2,621	33	42675	HA36FA	\$ 2,248	53
39150	M42RA	\$ 3,504	33	42678	HA36FA	\$ 2,426	53
39160	M48RA	\$ 3,814	33	42681	HA36FA	\$ 2,347	54
39171	30BDFF	\$ 1,386	33	42684	HA36HA	\$ 2,347	53
				42687	HA36HA	\$ 2,282	53

## Table Of Contents - Part Number Index

EDP Number	Catalog Number	List Price	Page	EDP Number	Catalog Number	List Price	Page
42696	HA36HA	\$ 2,384	53	42984	HA60OA	\$ 5,047	53
42699	HA36HA	\$ 2,293	54	42990	HA60OA	\$ 5,521	54
42702	HA36JA	\$ 2,410	53	42996	HA60PA	\$ 5,482	53
42705	HA36JA	\$ 2,325	53	43005	HA60PA	\$ 5,725	54
42708	HA36JA	\$ 2,517	53	43011	HA60QA	\$ 7,028	53
42711	HA36JA	\$ 2,426	54	43017	HA60QA	\$ 6,506	54
42717	HA36KA	\$ 2,711	53	43020	HA60RA	\$ 7,085	53
42720	HA36KA	\$ 2,365	53	43026	HA60RA	\$ 8,104	54
42732	HA36KA	\$ 2,463	53	<b>6</b>			
42735	HA36KA	\$ 2,517	54	60002	MC42OS	\$ 970	31
42744	HA36MA	\$ 2,509	53	60007	EMC42D	\$ 869	31
42753	HA36MA	\$ 2,549	54	60019	EMC48B	\$ 1,740	32
42756	HA42FA	\$ 2,805	53	60025	MC42B	\$ 1,748	31
42759	HA42FA	\$ 2,768	53	60026	MC48B	\$ 2,129	31
42762	HA42FA	\$ 2,919	53	60031	AMF-30-B	\$ 1,185	25
42765	HA42FA	\$ 2,859	54	60470	DD3041	\$ 621	30
42768	HA42HA	\$ 2,741	53	60471	DD3641	\$ 744	30
42771	HA42HA	\$ 2,670	53	62000	Curb Hinge	\$ 172	71, 74, 76, 78, 79
42774	HA42HA	\$ 2,785	53	62001	Bird Screen	\$ 194	79
42777	HA42HA	\$ 2,887	54	62002	Bird Screen	\$ 194	76, 78, 79
42780	HA42JA	\$ 2,816	53	62003	Grease Box	\$ 194	76, 78, 79
42783	HA42JA	\$ 2,832	53	<b>7</b>			
42786	HA42JA	\$ 3,028	53	70001	DDMC24C	\$ 502	30
42789	HA42JA	\$ 2,846	54	70005	BDMC36C	\$ 720	32
42798	HA42KA	\$ 3,265	53	70013	I-1820TEM	\$ 226	13, 17
42801	HA42KA	\$ 2,871	53	70601	AMFW30K	\$ 82	10, 14, 18
42807	HA42KA	\$ 3,163	53	70740	I-18B	\$ 96	13, 18
42810	HA42KA	\$ 3,026	54	70761	AC30GSS	\$ 708	9, 28
42813	HA42MA	\$ 2,999	53	70764	PWIISS30	\$ 3,186	26
42816	HA42MA	\$ 3,037	54	70767	WWIISS30	\$ 2,808	26
42822	HA42OA	\$ 3,295	53	70833	WWIISS20	\$ 2,123	26
42825	HA42OA	\$ 3,509	54	70834	PWIISS20	\$ 2,408	26
42828	HA48HA	\$ 3,201	53	70835	WWIISS24	\$ 2,498	26
42831	HA48HA	\$ 3,091	53	70836	PWIISS24	\$ 2,834	2
42834	HA48HA	\$ 3,285	53	70840	AC20GSS	\$ 466	28
42837	HA48HA	\$ 3,233	54	70841	AC24GSS	\$ 557	28
42840	HA48JA	\$ 3,058	53	70842	WGBS20	\$ 194	28
42843	HA48JA	\$ 3,048	53	70843	WGBS24	\$ 206	28
42846	HA48JA	\$ 3,321	53	71000	C-1820G	\$ 115	9, 13, 19
42849	HA48JA	\$ 3,247	54	71500	CA30HGPC	\$ 545	24
42855	HA48KA	\$ 3,608	53	71501K	CA30HGPCWWM	\$ 668	24
42858	HA48KA	\$ 3,282	53	71502K	CA30HGPCPB	\$ 777	24
42861	HA48KA	\$ 3,420	53	71503	CA30HGDCS	\$ 653	24
42864	HA48KA	\$ 3,340	54	71504K	CA30HGDCSIB	\$ 855	24
42870	HA48MA	\$ 3,218	53	71505K	CA30HGPCIB	\$ 747	24
42876	HA48MA	\$ 3,341	54	71506K	CA30HGDCSPB	\$ 885	24
42882	HA48OA	\$ 3,467	53	71507K	CA30HGDCWWM	\$ 776	24
42891	HA48OA	\$ 3,681	54	71526	UPI-30PA2A (3-SP)	\$ 685	11
42900	HA48PA	\$ 3,645	53	71531	LC30AP	\$ 376	20
42903	HA48PA	\$ 4,140	54	71533	LC30WC	\$ 292	20
42909	HA54JA	\$ 4,610	53	71537	MMHD1502C	\$ 98	38
42912	HA54JA	\$ 4,511	53	71538	MCM1503	\$ 123	38
42915	HA54JA	\$ 4,738	53	71550	IFH15	\$ 1,369	39
42918	HA54JA	\$ 4,527	54	71551	IFH30	\$ 1,751	39
42921	HA54KA	\$ 4,867	53	71552	PCH03	\$ 94	39
42924	HA54KA	\$ 4,463	53	71565	I-24-OIW	\$ 716	12
42927	HA54KA	\$ 4,917	53	71566	I-30-OIW	\$ 770	12
42930	HA54KA	\$ 4,639	54	71567	I-24-OAP	\$ 788	12
42933	HA54MA	\$ 4,649	53	71568	I-30-OAP	\$ 827	12
42936	HA54MA	\$ 4,647	54	71572	CA24WC	\$ 403	15
42939	HA54OA	\$ 4,684	53	71573	CA30WC	\$ 426	15
42942	HA54OA	\$ 4,854	54	71580	CA24OAP	\$ 649	16
42945	HA54PA	\$ 5,118	53	71581	CA30OAP	\$ 678	16
42951	HA54PA	\$ 5,134	54	71582	CA30OW	\$ 511	16
42957	HA54QA	\$ 6,544	53	71583	CA24OW	\$ 480	16
42960	HA54QA	\$ 5,847	54	71584	CA24APE	\$ 514	15
42963	HA60KA	\$ 5,325	53	71586	CA30APE	\$ 528	15
42966	HA60KA	\$ 4,983	53	71590	CA24	\$ 376	15
42969	HA60KA	\$ 5,252	53	71591	CA30	\$ 388	15
42972	HA60KA	\$ 5,161	54	71610	24-IAC-MGBO	\$ 644	12
42975	HA60MA	\$ 5,020	53	71725	I-24W2A (3-SP)	\$ 525	11
42981	HA60MA	\$ 5,069	54				

## Table Of Contents - Part Number Index

EDP Number	Catalog Number	List Price	Page	EDP Number	Catalog Number	List Price	Page
71726	I-30W2A (3-SP)	\$ 568	11	94217	LE47 Fixed Intake Louver, 18"W X 42"H	\$ 627	84
71760	UPI-24PA2A (3-SP)	\$ 646	11	94218	LE47 Fixed Intake Louver, 18"W X 48"H	\$ 687	84
72100	I-20B5	\$ 115	13, 18	94219	LE47 Fixed Intake Louver, 18"W X 54"H	\$ 746	84
72401	WGBS	\$ 222	28	94220	LE47 Fixed Intake Louver, 18"W X 60"H	\$ 806	84
72458	C-24B2	\$ 118	18	94221	LE47 Fixed Intake Louver, 18"W X 66"H	\$ 1,008	84
73001	PEDSS	\$ 222	28	94222	LE47 Fixed Intake Louver, 18"W X 72"H	\$ 1,060	84
73058	C-30B	\$ 129	18	94223	LE47 Fixed Intake Louver, 18"W X 78"H	\$ 1,119	84
73101	I-2030AP	\$ 78	13, 17	94224	LE47 Fixed Intake Louver, 18"W X 84"H	\$ 1,171	84
73103	I-2030NP	\$ 63	17	94225	LE47 Fixed Intake Louver, 18"W X 90"H	\$ 1,226	84
73300	I-24B2A2	\$ 118	13	94226	LE47 Fixed Intake Louver, 18"W X 96"H	\$ 1,278	84
73400	I-30B2A	\$ 129	13	94227	LE47 Fixed Intake Louver, 24"W X 84"H	\$ 452	84
75002	C-2030W	\$ 61	13, 17	94228	LE47 Fixed Intake Louver, 24"W X 30"H	\$ 639	84
75003	C-2030S	\$ 47	13, 17	94229	LE47 Fixed Intake Louver, 24"W X 42"H	\$ 794	84
77000	C-2030B	\$ 123	17	94230	LE47 Fixed Intake Louver, 24"W X 54"H	\$ 953	84
77001	BOS	\$ 377	28	94231	LE47 Fixed Intake Louver, 24"W X 60"H	\$ 1,028	84
78018	C-1A	\$ 294	17	94232	LE47 Fixed Intake Louver, 24"W X 66"H	\$ 1,290	84
78019	I-3A	\$ 366	13	94233	LE47 Fixed Intake Louver, 24"W X 72"H	\$ 1,365	84
78039	5B	\$ 1,009	28	94234	LE47 Fixed Intake Louver, 24"W X 78"H	\$ 1,437	84
78040	4G	\$ 1,393	28	94235	LE47 Fixed Intake Louver, 24"W X 84"H	\$ 1,516	84
78042	4H	\$ 1,657	28	94236	LE47 Fixed Intake Louver, 24"W X 90"H	\$ 1,588	84
78933	LC42BD	\$ 704	32	94237	LE47 Fixed Intake Louver, 24"W X 96"H	\$ 1,659	84
78938	LC36BD	\$ 579	32	94238	LE47 Fixed Intake Louver, 30"W X 12"H	\$ 397	84
78966	HFUB11	\$ 57	34	94239	LE47 Fixed Intake Louver, 30"W X 18"H	\$ 508	84
78967	UB180	\$ 134	34	94240	LE47 Fixed Intake Louver, 30"W X 36"H	\$ 826	84
78969	I-18HS	\$ 252	19	94241	LE47 Fixed Intake Louver, 30"W X 42"H	\$ 917	84
78970	I-20YM	\$ 210	19	94242	LE47 Fixed Intake Louver, 30"W X 48"H	\$ 996	84
78971	I-12YM	\$ 143	19	94243	LE47 Fixed Intake Louver, 30"W X 54"H	\$ 1,135	84
78972	I-18YM	\$ 198	19	94244	LE47 Fixed Intake Louver, 30"W X 60"H	\$ 1,215	84
78973	I-12LS	\$ 141	19	94245	LE47 Fixed Intake Louver, 30"W X 66"H	\$ 1,294	84
78974	I-18LS	\$ 194	19	94246	LE47 Fixed Intake Louver, 30"W X 72"H	\$ 1,373	84
78975	I-20LS	\$ 205	19	94247	LE47 Fixed Intake Louver, 30"W X 78"H	\$ 1,469	84
78984	I-18TELS	\$ 219	19	94248	LE47 Fixed Intake Louver, 30"W X 84"H	\$ 1,603	84
78985	I-12TELS	\$ 157	19	94249	LE47 Fixed Intake Louver, 30"W X 90"H	\$ 1,675	84
				94250	LE47 Fixed Intake Louver, 30"W X 96"H	\$ 1,762	84
<b>8</b>				94251	LE47 Fixed Intake Louver, 36"W X 18"H	\$ 576	84
80111	Manual Chain Operator	\$ 206	41, 45, 48, 88	94252	LE47 Fixed Intake Louver, 36"W X 30"H	\$ 833	84
80112	Manual Chain Operator	\$ 468	48, 88	94253	LE47 Fixed Intake Louver, 36"W X 54"H	\$ 1,278	84
81636	Panel Crank	\$ 617	87	94254	LE47 Fixed Intake Louver, 36"W X 60"H	\$ 1,365	84
81637	MA6-405	\$ 7,229	87	94255	LE47 Fixed Intake Louver, 36"W X 66"H	\$ 1,457	84
81639	BCMA-419	\$ 2,421	87	94256	LE47 Fixed Intake Louver, 36"W X 72"H	\$ 1,548	84
81640	BCMA-305	\$ 1,599	87	94257	LE47 Fixed Intake Louver, 36"W X 78"H	\$ 1,651	84
81642	BCMA-405	\$ 1,462	87	94259	LE47 Fixed Intake Louver, 36"W X 84"H	\$ 1,810	84
81645	Chain Actuator	\$ 230	87	94260	LE47 Fixed Intake Louver, 36"W X 90"H	\$ 1,897	84
85388	Switch	\$ 49	41, 45, 88	94261	LE47 Fixed Intake Louver, 36"W X 96"H	\$ 1,988	84
88202	Weather Cover	\$ 621	67	94262	LE47 Fixed Intake Louver, 42"W X 12"H	\$ 508	84
88203	Weather Cover	\$ 774	67	94263	LE47 Fixed Intake Louver, 42"W X 18"H	\$ 627	84
88205	Weather Cover	\$ 796	67	94264	LE47 Fixed Intake Louver, 42"W X 24"H	\$ 794	84
89576*	XRA-4	\$ 143	88	94266	LE47 Fixed Intake Louver, 42"W X 30"H	\$ 921	84
				94269	LE47 Fixed Intake Louver, 42"W X 36"H	\$ 1,012	84
<b>9</b>				94270	LE47 Fixed Intake Louver, 42"W X 48"H	\$ 1,234	84
90783	TS631	\$ 252	81, 88	94273	LE47 Fixed Intake Louver, 42"W X 54"H	\$ 1,409	84
91901	Starter Switch	\$ 1,007	37	94276	LE47 Fixed Intake Louver, 42"W X 60"H	\$ 1,508	84
91902	Starter Switch	\$ 1,007	37	94278	LE47 Fixed Intake Louver, 42"W X 66"H	\$ 1,611	84
91903	Starter Switch	\$ 1,003	37	94279	LE47 Fixed Intake Louver, 42"W X 72"H	\$ 1,711	84
91904	Starter Switch	\$ 1,003	37	94282	Motor Kit	\$ 324	74, 76, 78
94200	LE47 Fixed Intake Louver, 12"W X 18"H	\$ 306	84	94283	Motor Kit	\$ 252	72, 74, 76, 78, 79, 80
94201	LE47 Fixed Intake Louver, 12"W X 24"H	\$ 353	84	94284	LE47 Fixed Intake Louver, 72"W X 48"H	\$ 2,147	85
94202	LE47 Fixed Intake Louver, 12"W X 30"H	\$ 397	84	94289	LE47 Fixed Intake Louver, 54"W X 54"H	\$ 1,738	84
94203	LE47 Fixed Intake Louver, 12"W X 36"H	\$ 437	84	94293	LE47 Fixed Intake Louver, 36"W X 42"H	\$ 1,024	84
94204	LE47 Fixed Intake Louver, 12"W X 42"H	\$ 508	84	94296	LE47 Fixed Intake Louver, 24"W X 12"H	\$ 381	84
94205	LE47 Fixed Intake Louver, 12"W X 48"H	\$ 556	84	94303	LE47 Fixed Intake Louver, 48"W X 60"H	\$ 1,671	84
94206	LE47 Fixed Intake Louver, 12"W X 54"H	\$ 603	84	94304	LE47 Fixed Intake Louver, 48"W X 48"H	\$ 1,361	84
94207	LE47 Fixed Intake Louver, 12"W X 60"H	\$ 651	84	94306	LE47 Fixed Intake Louver, 48"W X 36"H	\$ 1,119	84
94208	LE47 Fixed Intake Louver, 12"W X 66"H	\$ 806	84	94308	LE47 Fixed Intake Louver, 42"W X 42"H	\$ 1,131	84
94209	LE47 Fixed Intake Louver, 12"W X 72"H	\$ 849	84	94310	LE47 Fixed Intake Louver, 36"W X 48"H	\$ 1,115	84
94210	LE47 Fixed Intake Louver, 12"W X 78"H	\$ 897	84	94311	LE47 Fixed Intake Louver, 36"W X 36"H	\$ 921	84
94211	LE47 Fixed Intake Louver, 12"W X 84"H	\$ 941	84	94312	LE47 Fixed Intake Louver, 30"W X 30"H	\$ 746	84
94212	LE47 Fixed Intake Louver, 12"W X 90"H	\$ 992	84	94313	LE47 Fixed Intake Louver, 24"W X 48"H	\$ 877	84
94213	LE47 Fixed Intake Louver, 12"W X 96"H	\$ 1,032	84	94314	LE47 Fixed Intake Louver, 24"W X 36"H	\$ 718	84
94214	LE47 Fixed Intake Louver, 18"W X 12"H	\$ 318	84	94315	LE47 Fixed Intake Louver, 24"W X 24"H	\$ 560	84
94215	LE47 Fixed Intake Louver, 18"W X 30"H	\$ 508	84	94318	LE47 Fixed Intake Louver, 18"W X 18"H	\$ 369	84
94216	LE47 Fixed Intake Louver, 18"W X 36"H	\$ 576	84	94322	LE47 Fixed Intake Louver, 12"W X 12"H	\$ 266	84

## Table Of Contents - Part Number Index

EDP Number	Catalog Number	List Price	Page	EDP Number	Catalog Number	List Price	Page
94328	LE47A Adjustable Intake Louver, 60"W X 60"H	\$ 2,671	87	94432	LE47A Adjustable Intake Louver, 24"W X 90"H	\$ 2,068	86
94329	LE47A Adjustable Intake Louver, 60"W X 42"H	\$ 2,048	87	94433	LE47A Adjustable Intake Louver, 24"W X 96"H	\$ 2,231	86
94330	LE47A Adjustable Intake Louver, 60"W X 48"H	\$ 2,235	87	94434	LE47A Adjustable Intake Louver, 30"W X 12"H	\$ 544	86
94331	LE47A Adjustable Intake Louver, 54"W X 54"H	\$ 2,338	87	94435	LE47A Adjustable Intake Louver, 30"W X 18"H	\$ 695	86
94334	LE47A Adjustable Intake Louver, 48"W X 72"H	\$ 2,489	87	94436	LE47A Adjustable Intake Louver, 30"W X 42"H	\$ 1,262	86
94335	LE47A Adjustable Intake Louver, 48"W X 60"H	\$ 2,108	87	94437	LE47A Adjustable Intake Louver, 30"W X 48"H	\$ 1,377	86
94336	LE47A Adjustable Intake Louver, 48"W X 48"H	\$ 1,794	87	94438	LE47A Adjustable Intake Louver, 30"W X 54"H	\$ 1,508	86
94338	LE47A Adjustable Intake Louver, 48"W X 36"H	\$ 1,472	87	94439	LE47A Adjustable Intake Louver, 30"W X 60"H	\$ 1,623	86
94339	LE47A Adjustable Intake Louver, 42"W X 42"H	\$ 1,508	87	94440	LE47A Adjustable Intake Louver, 30"W X 66"H	\$ 1,798	86
94340	LE47A Adjustable Intake Louver, 42"W X 30"H	\$ 1,143	87	94441	LE47A Adjustable Intake Louver, 30"W X 72"H	\$ 1,913	86
94342	LE47A Adjustable Intake Louver, 36"W X 60"H	\$ 1,790	87	94442	LE47A Adjustable Intake Louver, 30"W X 78"H	\$ 2,040	86
94343	LE47A Adjustable Intake Louver, 36"W X 48"H	\$ 1,520	87	94443	LE47A Adjustable Intake Louver, 30"W X 84"H	\$ 2,167	86
94344	LE47A Adjustable Intake Louver, 36"W X 36"H	\$ 1,254	87	94445	LE47A Adjustable Intake Louver, 30"W X 90"H	\$ 2,278	86
94345	LE47A Adjustable Intake Louver, 36"W X 72"H	\$ 2,115	86	94446	LE47A Adjustable Intake Louver, 30"W X 96"H	\$ 2,461	86
94346	LE47A Adjustable Intake Louver, 36"W X 30"H	\$ 1,060	86	94447	LE47A Adjustable Intake Louver, 36"W X 12"H	\$ 599	86
94347	LE47A Adjustable Intake Louver, 36"W X 18"H	\$ 778	86	94448	LE47A Adjustable Intake Louver, 36"W X 42"H	\$ 1,389	86
94349	LE47 Fixed Intake Louver, 36"W X 24"H	\$ 718	84	94449	LE47A Adjustable Intake Louver, 36"W X 54"H	\$ 1,667	87
94350	LE47A Adjustable Intake Louver, 30"W X 30"H	\$ 957	86	94450	LE47A Adjustable Intake Louver, 36"W X 66"H	\$ 1,988	87
94351	LE47A Adjustable Intake Louver, 30"W X 24"H	\$ 818	86	94451	LE47A Adjustable Intake Louver, 36"W X 78"H	\$ 2,254	87
94353	LE47A Adjustable Intake Louver, 18"W X 36"H	\$ 905	86	94452	LE47A Adjustable Intake Louver, 36"W X 84"H	\$ 2,635	87
94354	LE47A Adjustable Intake Louver, 24"W X 30"H	\$ 861	86	94453	LE47A Adjustable Intake Louver, 36"W X 90"H	\$ 2,520	87
94355	LE47A Adjustable Intake Louver, 24"W X 24"H	\$ 734	86	94454	LE47A Adjustable Intake Louver, 36"W X 96"H	\$ 2,723	87
94356	LE47A Adjustable Intake Louver, 24"W X 18"H	\$ 595	86	94455	LE47A Adjustable Intake Louver, 42"W X 12"H	\$ 687	87
94361	LE47A Adjustable Intake Louver, 12"W X 18"H	\$ 468	86	94456	LE47A Adjustable Intake Louver, 42"W X 24"H	\$ 984	87
94363	LE47A Adjustable Intake Louver, 18"W X 18"H	\$ 528	86	94457	LE47A Adjustable Intake Louver, 42"W X 36"H	\$ 1,353	87
94364	LE47A Adjustable Intake Louver, 12"W X 36"H	\$ 758	86	94458	LE47A Adjustable Intake Louver, 42"W X 48"H	\$ 1,651	87
94365	LE47A Adjustable Intake Louver, 12"W X 24"H	\$ 548	86	94459	LE47A Adjustable Intake Louver, 42"W X 54"H	\$ 1,802	87
94366	LE47A Adjustable Intake Louver, 12"W X 12"H	\$ 381	86	94460	LE47A Adjustable Intake Louver, 42"W X 60"H	\$ 1,937	87
94367	LE47A Adjustable Intake Louver, 12"W X 30"H	\$ 643	86	94461	LE47A Adjustable Intake Louver, 42"W X 66"H	\$ 2,155	87
94368	LE47A Adjustable Intake Louver, 12"W X 42"H	\$ 885	86	94462	LE47A Adjustable Intake Louver, 42"W X 72"H	\$ 2,290	87
94369	LE47A Adjustable Intake Louver, 12"W X 48"H	\$ 968	86	94463	LE47A Adjustable Intake Louver, 42"W X 78"H	\$ 2,441	87
94370	LE47A Adjustable Intake Louver, 12"W X 54"H	\$ 1,072	86	94464	LE47A Adjustable Intake Louver, 42"W X 84"H	\$ 2,592	87
94375	LE47A Adjustable Intake Louver, 18"W X 30"H	\$ 762	86	94465	LE47A Adjustable Intake Louver, 42"W X 90"H	\$ 2,739	87
94377	LE47 Fixed Intake Louver, 30"W X 24"H	\$ 639	84	94466	LE47A Adjustable Intake Louver, 42"W X 96"H	\$ 2,957	87
94378	LE47A Adjustable Intake Louver, 12"W X 60"H	\$ 1,147	86	94467	LE47A Adjustable Intake Louver, 48"W X 12"H	\$ 746	87
94379	LE47A Adjustable Intake Louver, 12"W X 66"H	\$ 1,270	86	94468	LE47A Adjustable Intake Louver, 48"W X 18"H	\$ 909	87
94380	LE47A Adjustable Intake Louver, 12"W X 72"H	\$ 1,349	86	94469	LE47A Adjustable Intake Louver, 48"W X 42"H	\$ 1,643	87
94381	LE47A Adjustable Intake Louver, 12"W X 78"H	\$ 1,449	86	94470	LE47A Adjustable Intake Louver, 48"W X 54"H	\$ 1,961	87
94382	LE47A Adjustable Intake Louver, 12"W X 84"H	\$ 1,540	86	94474	LE47A Adjustable Intake Louver, 48"W X 66"H	\$ 2,342	87
94383	LE47A Adjustable Intake Louver, 12"W X 90"H	\$ 1,627	86	94478	LE47A Adjustable Intake Louver, 48"W X 78"H	\$ 2,659	87
94385	LE47A Adjustable Intake Louver, 12"W X 96"H	\$ 1,750	86	94479	LE47A Adjustable Intake Louver, 48"W X 84"H	\$ 2,826	87
94387	LE47 Fixed Intake Louver, 18"W X 24"H	\$ 425	84	94480	LE47A Adjustable Intake Louver, 48"W X 90"H	\$ 2,973	87
94388	LE47A Adjustable Intake Louver, 18"W X 24"H	\$ 619	86	94481	LE47A Adjustable Intake Louver, 48"W X 96"H	\$ 3,215	87
94390	LE47A Adjustable Intake Louver, 18"W X 42"H	\$ 1,012	86	94482	LE47A Adjustable Intake Louver, 54"W X 12"H	\$ 881	87
94391	LE47 Fixed Intake Louver, 36"W X 12"H	\$ 437	84	94483	LE47A Adjustable Intake Louver, 54"W X 18"H	\$ 1,072	87
94392	LE47A Adjustable Intake Louver, 36"W X 24"H	\$ 905	86	94484	LE47A Adjustable Intake Louver, 54"W X 24"H	\$ 1,250	87
94393	LE47A Adjustable Intake Louver, 60"W X 96"H	\$ 4,068	87	94485	LE47A Adjustable Intake Louver, 54"W X 30"H	\$ 1,445	87
94394	LE47A Adjustable Intake Louver, 24"W X 36"H	\$ 1,020	86	94486	LE47A Adjustable Intake Louver, 54"W X 36"H	\$ 1,730	87
94395	LE47A Adjustable Intake Louver, 48"W X 24"H	\$ 1,068	87	94487	LE47A Adjustable Intake Louver, 54"W X 42"H	\$ 1,921	87
94396	LE47A Adjustable Intake Louver, 60"W X 72"H	\$ 3,163	87	94488	LE47A Adjustable Intake Louver, 54"W X 48"H	\$ 2,100	87
94399	LE47A Adjustable Intake Louver, 18"W X 48"H	\$ 1,103	86	94489	LE47A Adjustable Intake Louver, 54"W X 60"H	\$ 2,512	87
94400	LE47A Adjustable Intake Louver, 18"W X 54"H	\$ 1,218	86	94490	LE47A Adjustable Intake Louver, 54"W X 66"H	\$ 2,798	87
94401	LE47A Adjustable Intake Louver, 30"W X 36"H	\$ 1,135	86	94491	LE47A Adjustable Intake Louver, 54"W X 72"H	\$ 2,973	87
94402	LE47A Adjustable Intake Louver, 48"W X 30"H	\$ 1,238	87	94494	LE47A Adjustable Intake Louver, 54"W X 78"H	\$ 3,167	87
94403	LE47A Adjustable Intake Louver, 18"W X 60"H	\$ 1,306	86	94495	LE47A Adjustable Intake Louver, 54"W X 84"H	\$ 3,358	87
94404	LE47A Adjustable Intake Louver, 18"W X 66"H	\$ 1,445	86	94496	LE47A Adjustable Intake Louver, 54"W X 90"H	\$ 3,532	87
94405	LE47A Adjustable Intake Louver, 18"W X 72"H	\$ 1,536	86	94497	LE47A Adjustable Intake Louver, 54"W X 96"H	\$ 3,822	87
94406	LE47A Adjustable Intake Louver, 18"W X 78"H	\$ 1,635	86	94498	LE47A Adjustable Intake Louver, 60"W X 12"H	\$ 937	87
94411	LE47A Adjustable Intake Louver, 18"W X 84"H	\$ 1,742	86	94499	LE47A Adjustable Intake Louver, 60"W X 18"H	\$ 1,143	87
94413	LE47A Adjustable Intake Louver, 18"W X 12"H	\$ 433	86	94500	LE47A Adjustable Intake Louver, 60"W X 24"H	\$ 1,330	87
94415	LE47A Adjustable Intake Louver, 42"W X 18"H	\$ 841	87	94501	LE47A Adjustable Intake Louver, 60"W X 30"H	\$ 1,544	87
94421	LE47A Adjustable Intake Louver, 18"W X 90"H	\$ 1,838	86	94502	LE47A Adjustable Intake Louver, 60"W X 36"H	\$ 1,846	87
94422	LE47A Adjustable Intake Louver, 18"W X 96"H	\$ 1,981	86	94503	LE47A Adjustable Intake Louver, 60"W X 54"H	\$ 2,481	87
94423	LE47A Adjustable Intake Louver, 24"W X 12"H	\$ 488	86	94504	LE47A Adjustable Intake Louver, 60"W X 66"H	\$ 2,977	87
94424	LE47A Adjustable Intake Louver, 24"W X 42"H	\$ 1,139	86	94505	LE47A Adjustable Intake Louver, 60"W X 78"H	\$ 3,370	87
94425	LE47A Adjustable Intake Louver, 24"W X 48"H	\$ 1,250	86	94506	LE47A Adjustable Intake Louver, 60"W X 84"H	\$ 3,572	87
94426	LE47A Adjustable Intake Louver, 24"W X 54"H	\$ 1,369	86	94507	LE47A Adjustable Intake Louver, 60"W X 90"H	\$ 3,759	87
94427	LE47A Adjustable Intake Louver, 24"W X 60"H	\$ 1,465	86	94508	LE47 Fixed Intake Louver, 42"W X 78"H	\$ 1,826	84
94428	LE47A Adjustable Intake Louver, 24"W X 66"H	\$ 1,623	86	94509	LE47 Fixed Intake Louver, 42"W X 84"H	\$ 2,000	84
94429	LE47A Adjustable Intake Louver, 24"W X 72"H	\$ 1,727	86	94510	LE47 Fixed Intake Louver, 42"W X 90"H	\$ 2,104	84
94430	LE47A Adjustable Intake Louver, 24"W X 78"H	\$ 1,143	86	94511	LE47 Fixed Intake Louver, 42"W X 96"H	\$ 2,207	84
94431	LE47A Adjustable Intake Louver, 24"W X 84"H	\$ 1,965	86	94512	LE47 Fixed Intake Louver, 48"W X 12"H	\$ 556	84

## Table Of Contents - Part Number Index

EDP Number	Catalog Number	List Price	Page	EDP Number	Catalog Number	List Price	Page
94513	LE47 Fixed Intake Louver, 48"W X 18"H	\$ 687	84	94592	LE47 Fixed Intake Louver, 78"W X 30"H	\$ 1,659	85
94514	LE47 Fixed Intake Louver, 48"W X 24"H	\$ 877	84	94593	LE47 Fixed Intake Louver, 78"W X 36"H	\$ 1,857	85
94515	LE47 Fixed Intake Louver, 48"W X 30"H	\$ 1,008	84	94594	LE47 Fixed Intake Louver, 78"W X 42"H	\$ 2,064	85
94516	LE47 Fixed Intake Louver, 48"W X 42"H	\$ 1,250	84	94595	LE47 Fixed Intake Louver, 78"W X 48"H	\$ 2,266	85
94517	LE47 Fixed Intake Louver, 48"W X 54"H	\$ 1,560	84	94596	LE47 Fixed Intake Louver, 78"W X 54"H	\$ 2,616	85
94518	LE47 Fixed Intake Louver, 48"W X 66"H	\$ 1,782	84	94597	LE47 Fixed Intake Louver, 78"W X 60"H	\$ 2,814	85
94519	LE47 Fixed Intake Louver, 48"W X 72"H	\$ 1,893	84	94598	LE47 Fixed Intake Louver, 78"W X 66"H	\$ 3,012	85
94520	LE47 Fixed Intake Louver, 48"W X 78"H	\$ 2,028	84	94599	LE47 Fixed Intake Louver, 78"W X 72"H	\$ 3,203	85
94521	LE47 Fixed Intake Louver, 48"W X 84"H	\$ 2,227	84	94600	LE47 Fixed Intake Louver, 78"W X 78"H	\$ 3,413	85
94522	LE47 Fixed Intake Louver, 48"W X 90"H	\$ 2,334	84	94601	LE47 Fixed Intake Louver, 78"W X 84"H	\$ 3,731	85
94523	LE47 Fixed Intake Louver, 48"W X 96"H	\$ 2,449	84	94602	LE47 Fixed Intake Louver, 78"W X 90"H	\$ 3,921	85
94524	LE47 Fixed Intake Louver, 54"W X 12"H	\$ 603	84	94603	LE47 Fixed Intake Louver, 78"W X 96"H	\$ 4,116	85
94525	LE47 Fixed Intake Louver, 54"W X 18"H	\$ 746	84	94604	LE47 Fixed Intake Louver, 84"W X 12"H	\$ 941	85
94526	LE47 Fixed Intake Louver, 54"W X 24"H	\$ 953	84	94605	LE47 Fixed Intake Louver, 84"W X 18"H	\$ 1,171	85
94527	LE47 Fixed Intake Louver, 54"W X 30"H	\$ 1,095	84	94606	LE47 Fixed Intake Louver, 84"W X 24"H	\$ 1,516	85
94528	LE47 Fixed Intake Louver, 54"W X 36"H	\$ 1,218	84	94607	LE47 Fixed Intake Louver, 84"W X 30"H	\$ 1,750	85
94529	LE47 Fixed Intake Louver, 54"W X 42"H	\$ 1,357	84	94608	LE47 Fixed Intake Louver, 84"W X 36"H	\$ 1,957	85
94530	LE47 Fixed Intake Louver, 54"W X 48"H	\$ 1,480	84	94609	LE47 Fixed Intake Louver, 84"W X 42"H	\$ 2,171	85
94538	LE47 Fixed Intake Louver, 54"W X 60"H	\$ 1,865	84	94610	LE47 Fixed Intake Louver, 84"W X 48"H	\$ 2,377	85
94539	LE47 Fixed Intake Louver, 54"W X 66"H	\$ 1,988	84	94611	LE47 Fixed Intake Louver, 84"W X 54"H	\$ 2,758	85
94540	LE47 Fixed Intake Louver, 54"W X 72"H	\$ 2,115	84	94612	LE47 Fixed Intake Louver, 84"W X 60"H	\$ 2,969	85
94541	LE47 Fixed Intake Louver, 54"W X 78"H	\$ 2,366	85	94613	LE47 Fixed Intake Louver, 84"W X 66"H	\$ 3,175	85
94542	LE47 Fixed Intake Louver, 54"W X 84"H	\$ 2,473	85	94614	LE47 Fixed Intake Louver, 84"W X 72"H	\$ 3,378	85
94543	LE47 Fixed Intake Louver, 54"W X 90"H	\$ 2,592	85	94615	LE47 Fixed Intake Louver, 84"W X 78"H	\$ 3,600	85
94544	LE47 Fixed Intake Louver, 54"W X 96"H	\$ 2,723	85	94616	LE47 Fixed Intake Louver, 84"W X 84"H	\$ 3,973	85
94545	LE47 Fixed Intake Louver, 60"W X 12"H	\$ 651	85	94617	LE47 Fixed Intake Louver, 84"W X 90"H	\$ 4,187	85
94546	LE47 Fixed Intake Louver, 60"W X 18"H	\$ 806	85	94618	LE47 Fixed Intake Louver, 84"W X 96"H	\$ 4,402	85
94547	LE47 Fixed Intake Louver, 60"W X 24"H	\$ 1,028	85	94619	LE47 Fixed Intake Louver, 90"W X 12"H	\$ 992	85
94548	LE47 Fixed Intake Louver, 60"W X 30"H	\$ 1,191	85	94620	LE47 Fixed Intake Louver, 90"W X 18"H	\$ 1,226	85
94549	LE47 Fixed Intake Louver, 60"W X 36"H	\$ 1,318	85	94621	LE47 Fixed Intake Louver, 90"W X 24"H	\$ 1,588	85
94550	LE47 Fixed Intake Louver, 60"W X 42"H	\$ 1,472	85	94622	LE47 Fixed Intake Louver, 90"W X 30"H	\$ 1,830	85
94551	LE47 Fixed Intake Louver, 60"W X 48"H	\$ 1,600	85	94623	LE47 Fixed Intake Louver, 90"W X 36"H	\$ 2,048	85
94552	LE47 Fixed Intake Louver, 60"W X 54"H	\$ 1,881	85	94624	LE47 Fixed Intake Louver, 90"W X 42"H	\$ 2,274	85
94553	LE47 Fixed Intake Louver, 60"W X 60"H	\$ 2,020	85	94634	LE47 Fixed Intake Louver, 90"W X 48"H	\$ 2,493	85
94554	LE47 Fixed Intake Louver, 60"W X 66"H	\$ 2,155	85	94635	LE47 Fixed Intake Louver, 90"W X 54"H	\$ 2,889	85
94555	LE47 Fixed Intake Louver, 60"W X 72"H	\$ 2,290	85	94636	LE47 Fixed Intake Louver, 90"W X 60"H	\$ 3,112	85
94556	LE47 Fixed Intake Louver, 60"W X 78"H	\$ 2,445	85	94637	LE47 Fixed Intake Louver, 90"W X 66"H	\$ 3,326	85
94557	LE47 Fixed Intake Louver, 60"W X 84"H	\$ 2,683	85	94638	LE47 Fixed Intake Louver, 90"W X 72"H	\$ 3,540	85
94558	LE47 Fixed Intake Louver, 60"W X 90"H	\$ 2,810	85	94639	LE47 Fixed Intake Louver, 90"W X 78"H	\$ 3,782	85
94559	LE47 Fixed Intake Louver, 60"W X 96"H	\$ 2,953	85	94640	LE47 Fixed Intake Louver, 90"W X 84"H	\$ 4,175	85
94560	LE47 Fixed Intake Louver, 66"W X 12"H	\$ 806	85	94641	LE47 Fixed Intake Louver, 90"W X 90"H	\$ 4,394	85
94561	LE47 Fixed Intake Louver, 66"W X 18"H	\$ 1,001	85	94642	LE47 Fixed Intake Louver, 90"W X 96"H	\$ 4,616	85
94562	LE47 Fixed Intake Louver, 66"W X 24"H	\$ 1,290	85	94643	LE47 Fixed Intake Louver, 96"W X 12"H	\$ 1,032	85
94563	LE47 Fixed Intake Louver, 66"W X 30"H	\$ 1,492	85	94644	LE47 Fixed Intake Louver, 96"W X 18"H	\$ 1,278	85
94564	LE47 Fixed Intake Louver, 66"W X 36"H	\$ 1,667	85	94645	LE47 Fixed Intake Louver, 96"W X 24"H	\$ 1,659	85
94565	LE47 Fixed Intake Louver, 66"W X 42"H	\$ 1,857	85	94646	LE47 Fixed Intake Louver, 96"W X 30"H	\$ 1,913	85
94566	LE47 Fixed Intake Louver, 66"W X 48"H	\$ 2,032	85	94647	LE47 Fixed Intake Louver, 96"W X 36"H	\$ 2,143	85
94567	LE47 Fixed Intake Louver, 66"W X 54"H	\$ 2,342	85	94648	LE47 Fixed Intake Louver, 96"W X 42"H	\$ 2,397	85
94568	LE47 Fixed Intake Louver, 66"W X 60"H	\$ 2,520	85	94649	LE47 Fixed Intake Louver, 96"W X 48"H	\$ 2,627	85
94569	LE47 Fixed Intake Louver, 66"W X 66"H	\$ 2,691	85	94650	LE47 Fixed Intake Louver, 96"W X 54"H	\$ 3,028	85
94570	LE47 Fixed Intake Louver, 66"W X 72"H	\$ 2,862	85	94651	LE47 Fixed Intake Louver, 96"W X 60"H	\$ 3,259	85
94571	LE47 Fixed Intake Louver, 66"W X 78"H	\$ 3,044	85	94652	LE47 Fixed Intake Louver, 96"W X 66"H	\$ 3,497	85
94572	LE47 Fixed Intake Louver, 66"W X 84"H	\$ 3,338	85	94653	LE47 Fixed Intake Louver, 96"W X 72"H	\$ 3,711	85
94573	LE47 Fixed Intake Louver, 66"W X 90"H	\$ 3,505	85	94654	LE47 Fixed Intake Louver, 96"W X 78"H	\$ 3,961	85
94574	LE47 Fixed Intake Louver, 66"W X 96"H	\$ 3,679	85	94655	LE47 Fixed Intake Louver, 96"W X 84"H	\$ 4,378	85
94575	LE47 Fixed Intake Louver, 72"W X 12"H	\$ 849	85	94656	LE47 Fixed Intake Louver, 96"W X 90"H	\$ 4,604	85
94576	LE47 Fixed Intake Louver, 72"W X 18"H	\$ 1,060	85	94660	LE47 Fixed Intake Louver, 96"W X 96"H	\$ 4,834	85
94577	LE47 Fixed Intake Louver, 72"W X 24"H	\$ 1,365	85	95100	HA24	\$ 1,149	53
94578	LE47 Fixed Intake Louver, 72"W X 30"H	\$ 1,576	85	95104	HA30	\$ 1,339	53
94579	LE47 Fixed Intake Louver, 72"W X 36"H	\$ 1,758	85	95108	HA36	\$ 1,532	53
94580	LE47 Fixed Intake Louver, 72"W X 42"H	\$ 1,961	85	95112	HA42	\$ 2,012	53
94581	LE47 Fixed Intake Louver, 72"W X 54"H	\$ 2,477	85	95116	HA48	\$ 2,265	53
94582	LE47 Fixed Intake Louver, 72"W X 60"H	\$ 2,663	85	95120	HA54	\$ 3,351	53
94583	LE47 Fixed Intake Louver, 72"W X 66"H	\$ 2,850	85	95124	HA60	\$ 3,574	53
94584	LE47 Fixed Intake Louver, 72"W X 72"H	\$ 3,036	85	99790	A-LXP Kit 1	\$ 383	81
94585	LE47 Fixed Intake Louver, 72"W X 78"H	\$ 3,227	85	99794	ASXP Kit	\$ 368	81
94586	LE47 Fixed Intake Louver, 72"W X 84"H	\$ 3,532	85	99915	WH24	\$ 930	48, 51, 55, 58
94587	LE47 Fixed Intake Louver, 72"W X 90"H	\$ 3,715	85	99916	WH30	\$ 1,159	48, 51, 55, 58
94588	LE47 Fixed Intake Louver, 72"W X 96"H	\$ 3,921	85	99917	WH36	\$ 1,434	48, 51, 55, 58
94589	LE47 Fixed Intake Louver, 78"W X 12"H	\$ 897	85	99918	WH54	\$ 2,281	55, 58
94590	LE47 Fixed Intake Louver, 78"W X 18"H	\$ 1,119	85	99919	WH60	\$ 2,487	55, 58
94591	LE47 Fixed Intake Louver, 78"W X 24"H	\$ 1,437	85	99921	WH42	\$ 1,674	48, 51, 55, 58

## Table Of Contents - Part Number Index

EDP Number	Catalog Number	List Price	Page
99923	WH48	\$ 1,846	48, 51, 55, 58















## Airmaster Sales Representatives

STATE	AGENCY	MARKET	BUSINESS PHONE #	EMAIL
Alabama	Suncoast Marketing	Industrial, Electrical, HVAC	(727) 724-1916	suncoast84@earthlink.net
Alaska	Northcoast Sales Agency	Industrial, HVAC	(503) 657-9427	gene@ncsalesagency.com
	Contact Factory	Electrical	(517) 764-2300	sales@airmasterfan.com
Arizona	Synergy Marketing	Industrial, Electrical, HVAC	(916) 779-7600	sales@synergymarketingsales.com
Arkansas	Belmont Enterprises	Industrial, Electrical	(713) 673-4000	customer.service@bereps.com
	Contact Factory	HVAC	(517) 764-2300	sales@airmasterfan.com
California	Synergy Marketing	Industrial, Electrical, HVAC	(916) 779-7600	sales@synergymarketingsales.com
Colorado	Hammer Sales	Industrial, Electrical, HVAC	(303) 280-4955	pmolitoris@yahoo.com
Connecticut	Cutler Industrial Sales	Industrial	(631) 277-4930	info@cutlersales.com
	New England Electrical	Electrical, HVAC	(603) 434-6705	stevangelier@comcast.net
Delaware	Joseph M. Hayden Associates	Industrial	(800) 541-0768	haydenassoc@verizon.net
	Kunz Powell	Electrical	(610) 722-5701	brendanpowell@kunz-powell.com
	Contact Factory	HVAC	(517) 764-2300	sales@airmasterfan.com
Florida	Suncoast Marketing	Industrial, Electrical, HVAC	(727) 724-1916	suncoast84@earthlink.net
Guam	Synergy Marketing	Industrial, Electrical, HVAC	(916) 779-7600	sales@synergymarketingsales.com
Georgia	Suncoast Marketing	Industrial, Electrical, HVAC	(727) 724-1916	suncoast84@earthlink.net
Hawaii	Synergy Marketing	Industrial, Electrical, HVAC	(916) 779-7600	sales@synergymarketingsales.com
Idaho	<i>North &amp; West</i> Northcoast Sales Agency	Industrial	(503) 657-9427	gene@ncsalesagency.com
	<i>North &amp; West</i> M.H. Gerrard	Electrical	(360) 993-1977	insidesales@mhgerrard.com
	<i>South &amp; East</i> Main & Gamble Marketing	Industrial, Electrical	(801) 726-1314	fielding.chad@gmail.com
	<i>South &amp; East</i> TWC Products	HVAC	(801) 381-5625	guywilcox@gmail.com
Illinois	<i>North</i> Gaudian Industrial	Industrial, Electrical, HVAC	(630) 410-2030	gaudianinc@aol.com
	<i>South</i> Belmont Enterprises (Rock Island/Henry Counties)	Industrial	(713) 673-4000	customer.service@bereps.com
	<i>South</i> Schaeffer Marketing Group	Electrical	(314) 894-1100	salesdesk@smggrp.com
Indiana	InCon Marketing	Industrial, Electrical, HVAC	(937) 299-8637	jack@inconmarketing.com
	Gaudian Industrial (Lake/Porter Counties)	Industrial, Electrical, HVAC	(630) 410-2030	gaudianinc@aol.com
Iowa	Belmont Enterprises	Industrial	(713) 673-4000	customer.service@bereps.com
	Sharp Sales & Engineering	Electrical, HVAC	(402) 677-6774	sales@sharpsales.net
Kansas	Belmont Enterprises	Industrial, Electrical	(713) 673-4000	customer.service@bereps.com
	Contact Factory	HVAC	(517) 764-2300	sales@airmasterfan.com
Kentucky	InCon Marketing (Boone/Kenton/Campbell Counties)	Industrial, Electrical, HVAC	(937) 299-8637	jack@inconmarketing.com
	GM Sales	Electrical	(502) 412-4181	don@gm-sales.com
Louisiana	Belmont Enterprises	Industrial, Electrical	(713) 673-4000	customer.service@bereps.com
	Contact Factory	HVAC	(517) 764-2300	sales@airmasterfan.com
Maine	Cutler Industrial Sales	Industrial	(631) 277-4930	info@cutlersales.com
	New England Electrical	Electrical, HVAC	(603) 434-6705	stevangelier@comcast.net
Maryland	Joseph M. Hayden Associates	Industrial	(800) 541-0768	haydenassoc@verizon.net
	Contact Factory	Electrical, HVAC	(517) 764-2300	sales@airmasterfan.com
Massachusetts	Cutler Industrial Sales	Industrial	(631) 277-4930	info@cutlersales.com
	New England Electrical	Electrical, HVAC	(603) 434-6705	stevangelier@comcast.net
Michigan	<i>Lower</i> E.H. & Associates	Industrial	(248) 869-2100	sales@edhoveandassociates.com
	<i>Lower</i> Premier Electrical Sales	Electrical	(517) 783-6020	pssg@ameritech.net
	<i>Western U.P.</i> Gaudian Industrial	Industrial, HVAC	(630) 410-2030	gaudianinc@aol.com
	<i>Western U.P.</i> Electrical Solutions Plus, Inc.	Electrical	(414) 321-8509	info@esplus-inc.com
Minnesota	Contact Factory	HVAC	(517) 764-2300	sales@airmasterfan.com
	Pioneer Sales Group	Industrial, Electrical	(763) 546-6880	salesinfo@pioneersalesgroup.com
	Contact Factory	HVAC	(517) 764-2300	sales@airmasterfan.com
Mississippi	Belmont Enterprises	Industrial, Electrical	(713) 673-4000	customer.service@bereps.com
	Contact Factory	HVAC	(517) 764-2300	sales@airmasterfan.com
Missouri	<i>East</i> Belmont Enterprises	Industrial	(713) 673-4000	customer.service@bereps.com
	<i>East</i> Schaeffer Marketing Group	Electrical	(314) 894-1100	salesdesk@smggrp.com
	<i>West</i> Belmont Enterprises	Electrical	(713) 673-4000	customer.service@bereps.com
	<i>West</i> Contact Factory	HVAC	(517) 764-2300	sales@airmasterfan.com
Montana	<i>West</i> Main & Gamble	Industrial, Electrical	(801) 726-1314	fielding.chad@gmail.com
	<i>East</i> Hammer Sales LLC	Industrial, Electrical, HVAC	(303) 280-4955	pmolitoris@yahoo.com
Nebraska	Belmont Enterprises	Industrial	(713) 673-4000	customer.service@bereps.com
	Sharp Sales & Engineering	Electrical, HVAC	(402) 677-6774	sales@sharpsales.net
Nevada	Synergy Marketing	Industrial, Electrical, HVAC	(916) 779-7600	sales@synergymarketingsales.com
	TWC Products	HVAC	(801) 381-5625	guywilcox@gmail.com

## Airmaster Sales Representatives

STATE		AGENCY	MARKET	BUSINESS PHONE #	EMAIL
<b>New Hampshire</b>		Cutler Industrial Sales	Industrial	(631) 277-4930	info@cutlersales.com
		New England Electrical	Electrical, HVAC	(603) 434-6705	stevelangelier@comcast.net
<b>New Jersey</b>	<i>North</i>	Cutler Industrial	Industrial	(631) 277-4930	info@cutlersales.com
	<i>North</i>	Moriarty Sales	Electrical, HVAC	(631) 471-3055	sales@moriartysales.com
	<i>South</i>	Joseph M. Hayden Associates	Industrial	(800) 541-0768	haydenassoc@verizon.net
	<i>South</i>	Kunz Powell	Electrical	(610) 722-5701	rendanpowell@kunz-powell.com
<b>New Mexico</b>		Belmont Enterprises	Industrial, Electrical	(713) 673-4000	customer.service@bereps.com
		Contact Factory	HVAC	(517) 764-2300	sales@airmasterfan.com
<b>New York</b>	<i>North</i>	Mills Talbot	Industrial, Electrical	(315) 637-0511	ttalbot@milstalbot.com
	<i>South</i>	Cutler Industrial Sales	Industrial	(631) 277-4930	info@cutlersales.com
	<i>South</i>	Moriarty Sales	Electrical, HVAC	(631) 471-3055	sales@moriartysales.com
<b>North Carolina</b>		Ron Wallace & Associates	Industrial, Electrical	(803) 222-3562	rwamktg@rwamktg.com
		Contact Factory	HVAC	(517) 764-2300	sales@airmasterfan.com
<b>North Dakota</b>		Pioneer Sales Group	Industrial, Electrical	(763) 546-6880	salesinfo@pioneersalesgroup.com
		Contact Factory	HVAC	(517) 764-2300	sales@airmasterfan.com
<b>Ohio</b>		InCon Marketing	Industrial, Electrical, HVAC	(937) 299-8637	jack@inconmarketing.com
<b>Oklahoma</b>		Belmont Enterprises	Industrial, Electrical	(713) 673-4000	customer.service@bereps.com
		Contact Factory	HVAC	(517) 764-2300	sales@airmasterfan.com
<b>Oregon</b>		Northcoast Sales Agency	Industrial,	(503) 657-9427	gene@ncsalesagency.com
		M.H. Gerrard	Electrical	(360) 993-1977	insidesales@mhgerrard.com
		Contact Factory	HVAC	(517) 764-2300	sales@airmasterfan.com
<b>Pennsylvania</b>	<i>East</i>	Joseph M. Hayden Associates	Industrial	(800) 541-0768	haydenassoc@verizon.net
	<i>East</i>	Kunz Powell	Electrical	(610) 722-5701	brendanpowell@kunz-powell.com
	<i>West</i>	Voelp Assoc. Inc.	Industrial, HVAC	(412)926-8214	rvoelp@zoominternet.net
	<i>West</i>	Condor Associates	Electrical	(412) 684-0100	joedorley@condorassociates.com
<b>Puerto Rico</b>		Ron Wallace & Associates	Industrial, Electrical	(803) 222-3562	rwamktg@rwamktg.com
		Contact Factory	HVAC	(517) 764-2300	sales@airmasterfan.com
<b>Rhode Island</b>		Cutler Industrial Sales	Industrial	(631) 277-4930	info@cutlersales.com
		New England Electrical	Electrical, HVAC	(603) 434-6705	stevelangelier@comcast.net
<b>South Carolina</b>		Ron Wallace & Associates	Industrial, Electrical	(803) 222-3562	rwamktg@rwamktg.com
		Contact Factory	HVAC	(517) 764-2300	sales@airmasterfan.com
<b>South Dakota</b>		Pioneer Sales Group	Industrial, Electrical	(763) 546-6880	salesinfo@pioneersalesgroup.com
		Contact Factory	HVAC	(517) 764-2300	sales@airmasterfan.com
<b>Tennessee</b>	<i>East</i>	Suncoast Marketing	Industrial, Electrical, HVAC	(727) 724-1916	suncoast84@earthlink.net
	<i>West</i>	Belmont Enterprises	Industrial, Electrical	(713) 673-4000	customer.service@bereps.com
<b>Texas</b>		Belmont Enterprises	Industrial, Electrical	(713) 673-4000	customer.service@bereps.com
		Contact Factory	HVAC	(517) 764-2300	sales@airmasterfan.com
<b>Utah</b>		Main & Gamble	Industrial, Electrical	(801) 726-1314	fielding.chad@gmail.com
		TWC Products	HVAC	(801) 381-5625	guywilcox@gmail.com
<b>Vermont</b>		Cutler Industrial Sales	Industrial	(631) 277-4930	info@cutlersales.com
		New England Electrical	Electrical, HVAC	(603) 434-6705	stevelangelier@comcast.net
<b>Virginia</b>		Ron Wallace & Associates	Industrial, Electrical	(803) 222-3562	rwamktg@rwamktg.com
	<i>North Tip</i>	Joseph M. Hayden Associates	Industrial	(800) 541-0768	haydenassoc@verizon.net
		Contact Factory	HVAC	(517) 764-2300	sales@airmasterfan.com
<b>Washington</b>		Northcoast Sales Agency	Industrial	(503) 657-9427	gene@ncsalesagency.com
		M.H. Gerrard	Electrical	(360) 993-1977	insidesales@mhgerrard.com
		Contact Factory	HVAC	(517) 764-2300	sales@airmasterfan.com
<b>Washington D.C.</b>		Joseph M. Hayden Associates	Industrial	(800) 541-0768	haydenassoc@verizon.net
		Contact Factory	Electrical, HVAC	(517) 764-2300	sales@airmasterfan.com
<b>West Virginia</b>		Voelp Assoc. Ind	Industrial, HVAC	(412) 926-8214	rvoelp@zoominternet.net
		Condor Associates	Electrical	(412) 684-0100	joedorley@condorassociates.com
<b>Wisconsin</b>	<i>East</i>	Gaudian Industrial	Industrial, HVAC	(630) 410-2030	gaudianinc@aol.com
	<i>East</i>	Electrical Solutions Plus, Inc.	Electrical	(414) 321-8509	info@esplus-inc.com
	<i>West</i>	Pioneer Sales Group	Industrial, Electrical	(763) 546-6880	salesinfo@pioneersalesgroup.com
<b>Wyoming</b>	<i>West</i>	Main & Gamble	Industrial, Electrical	(801) 726-1314	fielding.chad@gmail.com
	<i>East</i>	Hammer Sales LLC	Industrial, Electrical, HVAC	(303) 280-4955	pmolitoris@yahoo.com
		TWC Products	HVAC	(801) 381-5625	guywilcox@gmail.com

## Quick Page Reference Guide

<p><b>HEAVY DUTY AIR CIRCULATORS</b></p>  <p>Pages 4-10</p>	<p><b>INDUSTRIAL AIR CIRCULATORS</b></p>  <p>Pages 11-14</p>	<p><b>COMMERCIAL AIR CIRCULATORS</b></p>  <p>Pages 15-18</p>	<p><b>INDUSTRIAL PIVOT STANDS / WORK STATION FANS</b></p>  <p>Page 19</p>
<p><b>LIGHT COMMERCIAL FANS</b></p>  <p>Page 20</p>	<p><b>SAFETY AIR CIRCULATORS</b></p>  <p>Pages 21-23</p>	<p><b>EASY CLEAN AIR CIRCULATORS</b></p>  <p>Page 24</p>	<p><b>MISTING FANS</b></p>  <p>Page 25</p>
<p><b>WASHDOWN® AIR CIRCULATORS</b></p>  <p>Pages 26-27</p>	<p><b>MANCOOLERS® Direct Drive</b></p>  <p>Page 28</p>	<p><b>MC MANCOOLERS® Belt Drive</b></p>  <p>Page 29</p>	<p><b>EMC MANCOOLERS® Belt Drive</b></p>  <p>Page 30</p>
<p><b>MOBILE FILTERED FAN</b></p>  <p>Page 31</p>	<p><b>UTILITY BLOWER / HEATER OPTION</b></p>  <p>Page 32</p>	<p><b>CEILING FANS</b></p>  <p>Page 33</p>	<p><b>AIR BLASTERS</b></p>  <p>Page 35</p>
<p><b>HEATERS</b></p>  <p>Pages 38-39</p>	<p><b>EPRSM SHUTTER FAN    EPR WALL FAN</b></p>  <p>Pages 41-42</p>	<p><b>EXG EXP. PROOF EXHAUST FAN</b></p>  <p>Page 43</p>	<p><b>PD EXHAUST FAN</b></p>  <p>Page 45-46</p>
<p><b>HV EXHAUST FAN    HVEX EXP. PROOF EXHAUST FAN</b></p>  <p>Pages 47-49</p>	<p><b>CWF CABINET FAN</b></p>  <p>Page 50</p>	<p><b>PB EXHAUST FAN</b></p>  <p>Pages 51-52</p>	<p><b>HA INDUSTRIAL EXHAUST FAN</b></p>  <p>Pages 53-56</p>
<p><b>WS WALL COLLARS    WH WC SHUTTERS    WEATHERHOODS</b></p>  <p>Pages 57-59</p>	<p><b>PLDA/PLDXA TUBE AXIAL FANS</b></p>  <p>Pages 60-68</p>	<p><b>UP/UPB UPBLAST FANS</b></p>  <p>Pages 69-70</p>	<p><b>ARD ROOFTOP</b></p>  <p>Page 71</p>
<p><b>CDD CENTRIFUGAL EXHAUST</b></p>  <p>Page 72</p>	<p><b>CBD CENTRIFUGAL EXHAUST</b></p>  <p>Pages 73-74</p>	<p><b>CBU CENTRIFUGAL and CBU-HP HIGH PRESSURE UPBLAST</b></p>  <p>Pages 75-78</p>	<p><b>CDU CENTRIFUGAL UPBLAST</b></p>  <p>Page 79</p>
<p><b>EGRV RELIEF VENT</b></p>  <p>Page 80</p>	<p><b>HVB WHOLE HOUSE FAN</b></p>  <p>Page 81</p>	<p><b>AIF INLINE CENTRIFUGAL</b></p>  <p>Page 82-83</p>	<p><b>LE47/LE47A INTAKE LOUVERS</b></p>  <p>Pages 84-88</p>

## COMMERCIAL PRODUCT WARRANTY

AIRMASTER® FAN COMPANY warrants to the original user that the equipment shipped will be the kind and quality described in the specifications and to be free from defects in material and workmanship under normal use and service. Liability for defects of material and workmanship in the motor are excepted from the AIRMASTER® Warranty, but are covered in the warranty of the motor manufacturer.

AIRMASTER® FAN COMPANY will rectify defects in material or workmanship within one year from date of shipment by the factory, provided the Company receives immediate written notice of such defects and such claims are substantiated to its satisfaction. Correction of such defects by repair or replacement at company's option, F.O.B. the Company's factory, shall constitute the sole obligation under this warranty.

This warranty does not include accessories or any part of the unit which has subjected to misuse, neglect, accident, or damage caused by flood, fire or act of God. UNDER NO CIRCUMSTANCES IS AIRMASTER® FAN COMPANY liable for labor costs incurred in installation or removal for repairs. UNDER NO CIRCUMSTANCES IS AIRMASTER® FAN COMPANY LIABLE FOR INCIDENTAL OR CONSEQUENTIAL DAMAGES DUE TO FAILURE TO MEET THE CONDITIONS OF ANY WARRANTY. NO LIABILITY OF ANY NATURE IS ASSUMED BY THE COMPANY FOR FAILURE TO MAKE DELIVERY DUE TO ANY ACT OR CONDITION BEYOND ITS REASONABLE CONTROL.

THIS WARRANTY DOES NOT APPLY TO CONSUMER PRODUCTS,  
SEE CONSUMER PRODUCT WARRANTY BELOW.

## LIMITED ONE-YEAR CONSUMER WARRANTY

On products intended for personal, family or household purposes, the following limited warranty applies instead of the COMMERCIAL Warranty.

AIRMASTER® warrants to the original consumer purchaser that this product is free from defects in material and workmanship for one year from provable date of purchase.

AIRMASTER will repair or replace, at its option, defective parts at no charge, within this warranty period, provided the product is returned freight prepaid with proof of purchase date to: AIRMASTER® FAN COMPANY, 9229 S. MERIDIAN RD., CLARKLAKE, MI 49234. The obligation under this warranty does not include responsibility for any transportation expenses. PRODUCT WILL BE RETURNED TO THE CONSUMER FREIGHT COLLECT.

This warranty is void as to any part that has been improperly installed, overloaded, abused or altered in any manner.

This warranty does not cover incidental or consequential damages arising from any defect of this product. Some states do not allow the exclusion or limitation of incidental or consequential damages, so the above limitation or exclusion may not apply to you.

No one is authorized to assume any liability on behalf of AIRMASTER® or impose any obligation on it in connection with the sale of any product other than as outlined above.

This warranty gives you specific legal rights, and you may also have other rights which vary from state to state.

(PRICES SUBJECT TO CHANGE WITHOUT NOTICE)

Due to AIRMASTER®'s commitment to Total Quality Management, technical specifications are subject to change without notice.



Copyright 2016 Airmaster Fan® Company