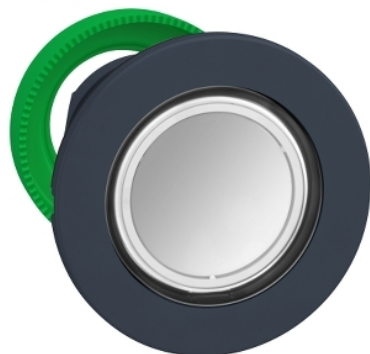


# ZB5FA18

Head for illuminated push button, Harmony XB5, antimicrobial, plastic, white flush mounted, 30mm, universal LED,



## Main

|                                 |                                  |
|---------------------------------|----------------------------------|
| Range of Product                | Harmony XB5                      |
| Product or Component Type       | Head for illuminated push-button |
| Device short name               | ZB5                              |
| Product Compatibility           | Universal LED                    |
| Bezel material                  | Dark grey plastic                |
| Mounting diameter               | 1.20 in (30.5 mm)                |
| Sale per indivisible quantity   | 1                                |
| Head type                       | Built-in-flush                   |
| Shape of signaling unit head    | Round                            |
| Type of operator                | Spring return                    |
| Operator profile                | White flush, unmarked            |
| Operator additional information | For insertion of legend          |

## Complementary

|                                    |  |
|------------------------------------|--|
| CAD overall width                  | 1.46 in (37 mm)  |
| CAD overall height                 | 1.46 in (37 mm)  |
| CAD overall depth                  | 1.18 in (30 mm)  |
| Net Weight                         | 0.04 lb(US) (0.017 kg)   |
| Resistance to high pressure washer | 1015.26 psi (7000000 Pa) 131 °F (55 °C) 0.1 m  |
| Mechanical durability              | 10000000 cycles  |
| Main group                         | Illum push-button  |
| Group of product                   | Flush push with inser of legend  |
| Cap/operator or lens colour        | White  |
| Marking                            | Unmarked   |
| Electrical composition code        | M1 6 single front mounting integral LED<br>M2 6 single and double front mounting integral LED<br>M6 2 single front mounting integral LED and transformer<br>M10 2 single front mounting integral LED<br>MF1 2 single front mounting integral LED<br>C4 6 single and double front mounting<br>C14 2 single front mounting<br>SF2 2 single front mounting<br>C3 6 single front mounting integral LED |

## Environment

|                                       |   |
|---------------------------------------|---|
| Protective treatment                  | TC                                      |
| Ambient Air Temperature for Storage   | -40...158 °F (-40...70 °C)              |
| Ambient Air Temperature for Operation | -40...158 °F (-40...70 °C)              |
| Overvoltage category                  | Class II IEC 60536                      |
| IP degree of protection               | IP66 IEC 60529<br>IP67<br>IP69<br>IP69K |
| NEMA degree of protection             | NEMA 13<br>NEMA 4X                      |

The information provided in this documentation contains general descriptions and/or technical characteristics of the performance of the products contained herein. This documentation is not intended as a substitute for and is not to be used for determining suitability or reliability of these products for specific user applications. It is the duty of any such user or integrator to perform the appropriate and complete risk analysis, evaluation and testing of the products with respect to the relevant specific application or use thereof. Neither Schneider Electric Industries SAS nor any of its affiliates or subsidiaries shall be responsible or liable for misuse of the information contained herein.

|                         |   |
|-------------------------|---|
| IK degree of protection | IK03 EN 50102   |
| Standards               | CSA C22.2 No 14<br>EN/IEC 60947-1<br>EN/IEC 60947-5-4<br>GB 14048.5<br>UL 508<br>EN/IEC 60947-5-1<br>JIS C8201-5-1<br>JIS C8201-1 |
| Product Certifications  | GL<br>DNV<br>UL Listed<br>BV<br>CSA<br>LROS (Lloyds register of shipping)   |
| Vibration resistance    | 5 gn 2...500 Hz)IEC 60068-2-6   |
| Shock resistance        | 30 gn 18 ms) half sine wave acceleration IEC 60068-2-27<br>50 gn 11 ms) half sine wave acceleration IEC 60068-2-27                |

## Ordering and shipping details

|                   |                                     |
|-------------------|-------------------------------------|
| Category          | 22467-PUSHBUTTONS,22MM(PLASTIC) NEW |
| Discount Schedule | CS2                                 |
| GTIN              | 3606481339041                       |
| Returnability     | No                                  |
| Country of origin | FR                                  |

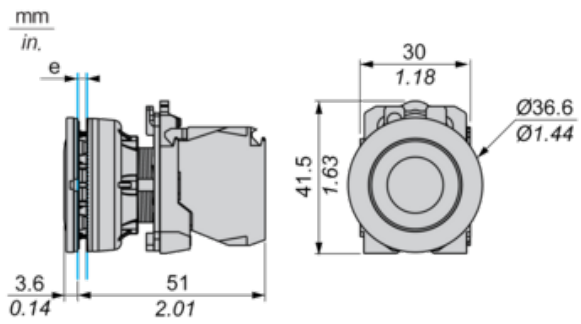
## Packing Units

|                              |                       |
|------------------------------|-----------------------|
| Unit Type of Package 1       | PCE                   |
| Number of Units in Package 1 | 1                     |
| Package 1 Height             | 2.00 in (5.08 cm)     |
| Package 1 Width              | 1.80 in (4.57 cm)     |
| Package 1 Length             | 3.60 in (9.14 cm)     |
| Package 1 Weight             | 0.07 lb(US) (0.03 kg) |

## Offer Sustainability

|                            |   |
|----------------------------|---|
| Sustainable offer status   | Green Premium product   |
| California proposition 65  | WARNING: This product can expose you to chemicals including: Di-isodecyl phthalate (DIDP), which is known to the State of California to cause birth defects or other reproductive harm. For more information go to <a href="http://www.P65Warnings.ca.gov">www.P65Warnings.ca.gov</a> |
| REACH Regulation           | <a href="#">REACH Declaration</a>   |
| REACH free of SVHC         | Yes   |
| EU RoHS Directive          | Pro-active compliance (Product out of EU RoHS legal scope) <a href="#">EU RoHS Declaration</a>  |
| Toxic heavy metal free     | Yes   |
| Mercury free               | Yes   |
| China RoHS Regulation      | <a href="#">China RoHS Declaration</a>  |
| RoHS exemption information | <a href="#">Yes</a>   |
| Environmental Disclosure   | <a href="#">Product Environmental Profile</a>   |
| Circularity Profile        | <a href="#">End Of Life Information</a>   |

Dimensions



e: Clamping thickness: 1 to 6 mm / 0.04 to 0.24 in.

Panel Cut-out for Pushbuttons, Switches and Pilot Lights (Finished Holes, Ready for Installation)

Connection by Screw Clamp Terminals or Plug-in Connectors



(1) Diameter on finished panel or support

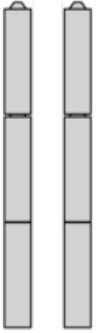
(2)  $\text{Ø}30.75 \text{ mm}$  recommended ( $\text{Ø}30.5 \text{ }_0^{+0.5}$ ) /  $\text{Ø}1.21 \text{ in.}$  recommended ( $\text{Ø}1.20 \text{ in. }_0^{+0.0196}$ )

| Connections                                   | a in mm | a in in. | b in mm | b in in. |
|---|---------|----------|---------|----------|
| By screw clamp terminals or plug-in connector | 40      | 1.57     | 40      | 1.57     |
| By Faston connectors                          | 45      | 1.77     | 40      | 1.57     |

---

Electrical Composition Corresponding to Code C3

---



---

Electrical Composition Corresponding to Code C4

---

---

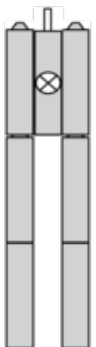
Electrical Composition Corresponding to Codes C14, SF2 and SR2

---

---

Electrical Composition Corresponding to Codes M1 and M7

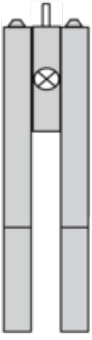
---



---

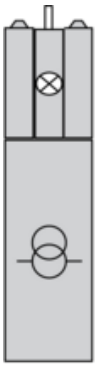
Electrical Composition Corresponding to Codes M2 and M8

---



Electrical Composition Corresponding to Codes M6 and P2

---



Electrical Composition Corresponding to Codes M5, M10, MF1, MR1 and MF2

---



Legend

---

Single contact

Double contact

Light block

Possible location

