



CATALOG NUMBER: 500-007G	
JOB NAME:	
CUSTOMER NAME:	
NOTES:	TYPE:
	DATE:

FEATURES AND SPECIFICATIONS

SITE LIGHTING
ACCESSORIES
WOOD POLE FLOOD LIGHTING BRACKET

Construction:
Steel

Mounting:
Wood Pole

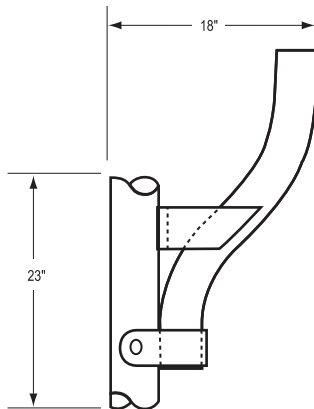
Specifications:
Overall height: 23" (58.42 cm)
Depth: 18" (45.72 cm)
Weight: 15 lbs. / 6.80 kg.



ORDERING INFORMATION

CATALOG #	DESCRIPTION	FINISH	LBS.
500-007G	Single Floodlight Bracket	Galvanized	15

DIMENSIONS



Actual performance can vary depending on operating conditions. Specifications are subject to change without notice.