



CATALOG NUMBER: 280-032	
JOB NAME:	
CUSTOMER NAME:	
NOTES:	TYPE:
	DATE:

FEATURES AND SPECIFICATIONS

FLOOD LIGHTING
ACCESSORIES
MOUNTING

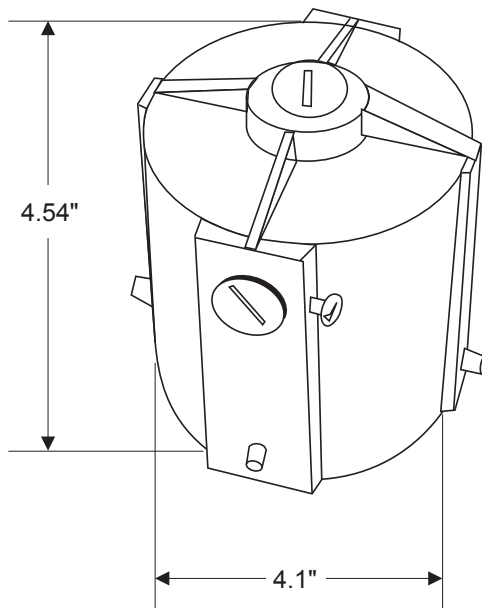
Construction:
 Die Cast

Mounting:
 Post Top

Specifications:
 Overall height: 4.54" (11.53 cm)
 Width: 4.1" (10.41 cm)
 Weight: 1.2 lbs. / 0.54 kg.



DIMENSIONS



ORDERING INFORMATION

Catalog #	Description	Finish	I.D. (in.)	Wt./Lbs.
280-032	Adjustable Post Top Fitter 1/2" Threaded Apertures	Bronze	2 1/2- 3 1/2	1.2

Actual performance can vary depending on operating conditions. Specifications are subject to change without notice.