

PRODUCT INFORMATION PACKET

Model No: 145TTTN6527

Catalog No: E654

2 HP Severe Duty Motor, 3 phase, 1800 RPM, 460 V, 145T Frame, TENV

Other Severe Duty Motors



Regal and Marathon are trademarks of Regal Beloit Corporation or one of its affiliated companies.

©2019 Regal Beloit Corporation, All Rights Reserved. MC017097E

REGAL



Nameplate Specifications

Output HP	2 Hp	Output KW	1.5 kW
Frequency	60 Hz	Voltage	460 V
Current	3.0 A	Speed	1735 rpm
Service Factor	1.15	Phase	3
Efficiency	85.5 %	Power Factor	78
Duty	Continuous	Insulation Class	F
Design Code	B	KVA Code	M
Frame	145T	Enclosure	Totally Enclosed Non Ventilated
Thermal Protection	No	Ambient Temperature	40 °C
Drive End Bearing Size	6205	Opp Drive End Bearing Size	6203
UL	Recognized	CSA	Y
CE	Y	IP Code	54

Technical Specifications

Electrical Type	Squirrel Cage Inverter Rated	Starting Method	Line Or Inverter
Poles	4	Rotation	Reversible
Resistance Main	6.48 Ohms	Mounting	Rigid Base
Motor Orientation	Horizontal	Drive End Bearing	Ball
Opp Drive End Bearing	Ball	Frame Material	Cast Iron
Shaft Type	T	Overall Length	11.43 in
Frame Length	6.25 in	Shaft Diameter	0.875 in
Shaft Extension	2.56 in	Assembly/Box Mounting	F1/F2 Capable

This is an uncontrolled document once printed or downloaded and is subject to change without notice. Date Created:01/11/2019

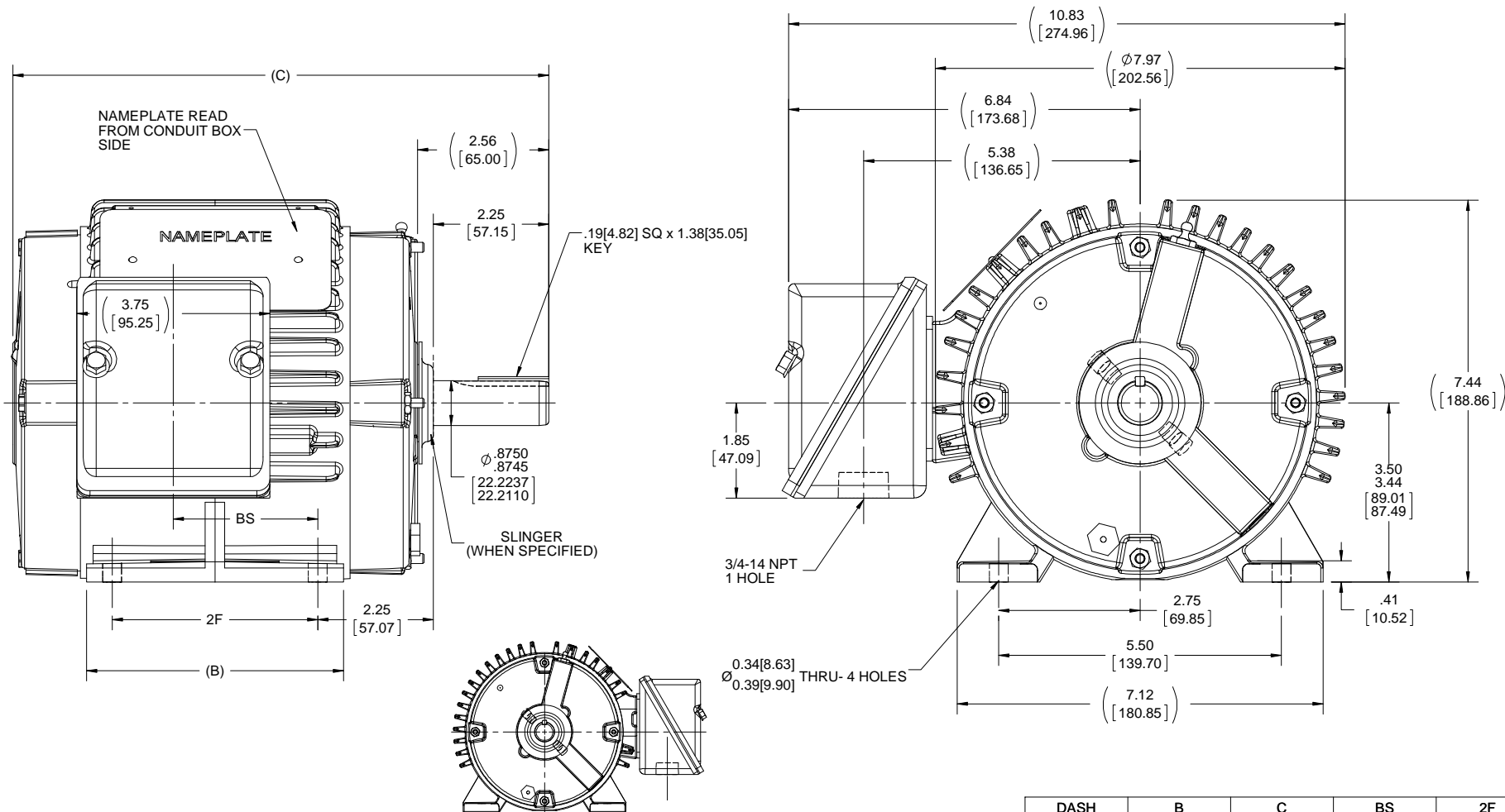
4

3

Uncontrolled Copy

2

1



DASH	B	C	BS	2F
525	5.00 [127.00]	10.43 [264.92]	2.81 [71.37]	4.00 [101.60]
625	6.00 [152.4]	11.43 [29.32]	3.81 [96.77]	5.00 [127.00]

DRAWING REVISION C	REVISION BY H. ADIKE	DATE 06/25/2018	TOLERANCES UNLESS OTHERWISE SPECIFIED: DEC. INCH mm ANGLE -X ±0.1 [+2.5] ±7° 30' .XX ±0.03 [+0.76] .XXX ±0.005 [+0.127] .XXX ±0.005 [+0.0127]
ECO ECO-0147607	APPROVED BY PST	DATE 06/25/2018	REMOVE BURRS & BREAK SHARP EDGES: .003/.015 [076/.381] X 45° CORNER FILLETS: R.02 [51] MACHINED SURFACES: 200 INCH mm 5.1 mm SHOWN IN [BRACKETS]
ECO DESCRIPTION THE GREASE ZERK ROTATED TO 1 O'CLOCK POSITION <small> COPYRIGHT REGAL BELOIT AMERICA, INC. ALL RIGHTS RESERVED. PROPRIETARY AND CONFIDENTIAL INFORMATION - THIS DOCUMENT IS THE PROPERTY OF REGAL BELOIT AMERICA, INC. (OWNER) AND CONTAINS OWNER'S PROPRIETARY INFORMATION. ANY PERSON, CORPORATION OR OTHER FIRM RECEIVING IT IS DEEMED, BY RECEIVING IT, TO AGREE THAT IT, AND/OR ANY PART OF IT, SHALL NOT BE DISCLOSED TO ANY PERSON, CORPORATION OR OTHER ENTITY, DUPLICATED, AND/OR USED, EXCEPT AS EXPRESSLY APPROVED IN WRITING IN ADVANCE BY OWNER. THIS DOCUMENT SHALL BE RETURNED TO OWNER UPON REQUEST. IT MAY BE SUBJECT TO CERTAIN RESTRICTIONS UNDER APPLICABLE EXPORT CONTROL LAWS AND REGULATIONS. </small>			

DRAWN BY RM	REGAL™ Regal Beloit America, Inc.	
DATE 10/27/1992	DESCRIPTION OUTLINE 140T FR. - BB- TS - TENV	
APPROVED BY JA	MATERIAL	PROCESS/FINISH
DATE 11/02/1992	REFERENCE 100658	SIZE B
THIRD ANGLE PROJECTION	DRAWING NUMBER 100658	SHEET 1 OF 1

- NOTES:
1. BOX CAN BE ROTATED IN 90° STEPS.
 2. BOX CAN BE MOUNTED ON OPPOSITE SIDE BY REMOVING BRACKETS AND TURNING FRAME 180°.
 3. FRONT GREASE HOLE LOCATION SHOWN WITH HIDDEN LINES.

4

3

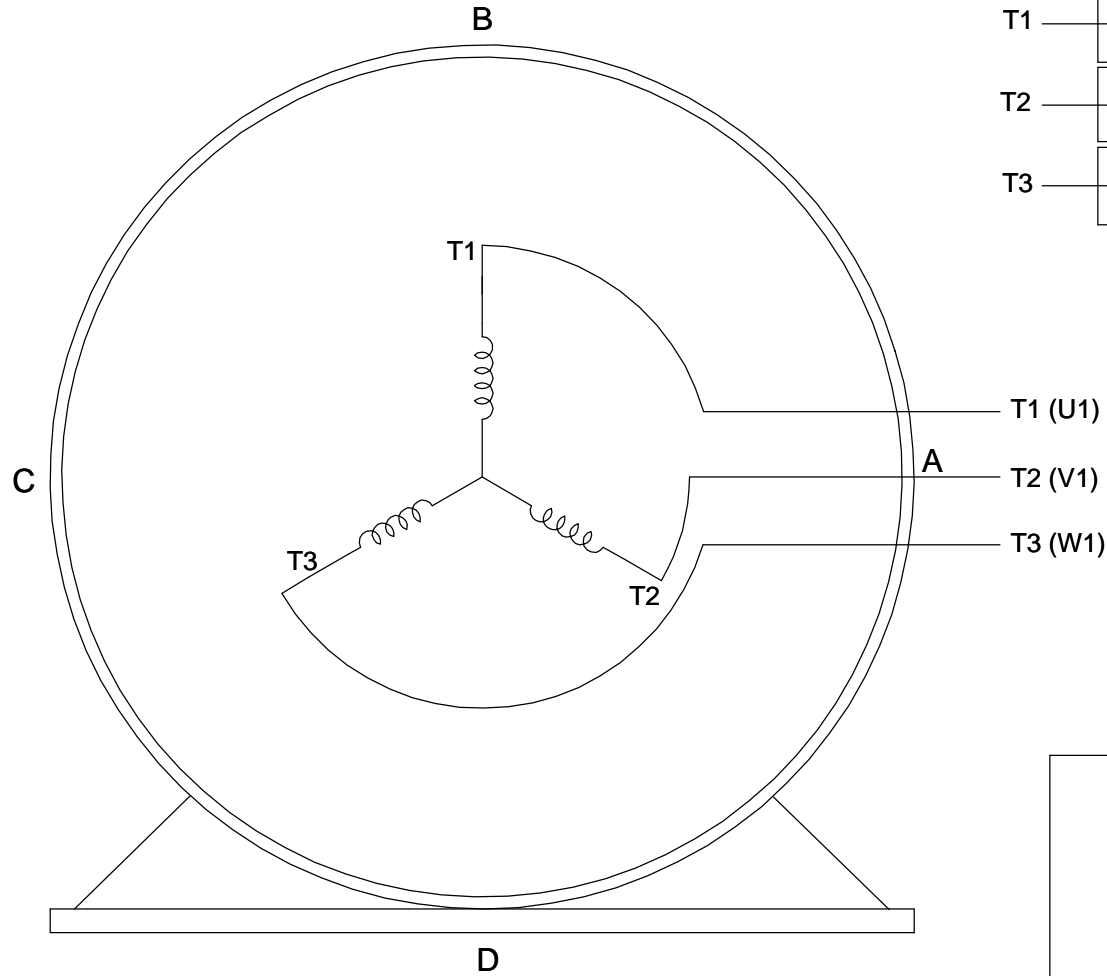
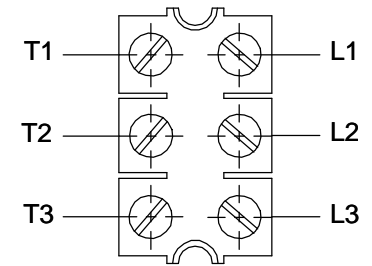
2

1

**THREE PHASE - SINGLE VOLTAGE
MOTOR - CONDUIT BOX @ 'A'**

**TO REVERSE ROTATION:
INTERCHANGE ANY TWO
LINE LEAD CONNECTIONS.**

TERMINAL BLOCK WHEN SPECIFIED



VIEW OF TERMINAL END

**IF MOTOR HAS
6 LEADS**



A-9806 DECAL

**OPTIONAL CORD
CONNECTION**

- L1 _____ WHITE _____
- L2 _____ RED _____
- L3 _____ BLACK _____

DRAWING REVISION AB	REVISION BY JJB	DATE 06-27-2017
ECO ECO-0125361	APPROVED BY TB	DATE 06-27-2017
ECO DESCRIPTION UPDATED TO CURRENT STANDARDS		
<small>COPYRIGHT REGAL BELOIT AMERICA, INC. ALL RIGHTS RESERVED. PROPRIETARY AND CONFIDENTIAL INFORMATION - THIS DOCUMENT IS THE PROPERTY OF REGAL BELOIT AMERICA, INC. ("OWNER") AND CONTAINS OWNER'S PROPRIETARY INFORMATION. ANY PERSON, CORPORATION OR OTHER FIRM RECEIVING IT IS DEEMED, BY RECEIVING IT, TO AGREE THAT IT, AND/OR ANY PART OF IT, SHALL NOT BE DISCLOSED TO ANY PERSON, CORPORATION OR OTHER ENTITY, DUPLICATED, AND/OR USED, EXCEPT AS EXPRESSLY APPROVED IN WRITING IN ADVANCE BY OWNER. THIS DOCUMENT SHALL BE RETURNED TO OWNER UPON REQUEST. IT MAY BE SUBJECT TO CERTAIN RESTRICTIONS UNDER APPLICABLE EXPORT CONTROL LAWS AND REGULATIONS.</small>		



DRAWN BY DA
DATE 03-26-1993
APPROVED BY TB
DATE 03-26-1993
REFERENCE
THIRD ANGLE PROJECTION

Regal Beloit America, Inc.		
		DESCRIPTION CONNECTION DIAGRAM EXTERNAL - SINGLE VOLTAGE - 3Ø MOTOR
MATERIAL	PROCESS/FINISH	
SIZE A	DRAWING NUMBER EE7300	SHEET 1 OF 1