

## Type 12 Mild Steel Wallmount Enclosure *1418J Series*

### Continuous Hinge Door with Screws



### Application

- Designed to house electrical, electronic, hydraulic or pneumatic controls and instruments.
- Provides a degree of protection from falling dirt, dust, oil and water.

### Standards

- UL 508 Type 12
- Complies with
  - NEMA Type 12
  - JIC EGP-1-1967 unless marked<sup>1</sup>
  - IEC 60529, IP54

### Construction

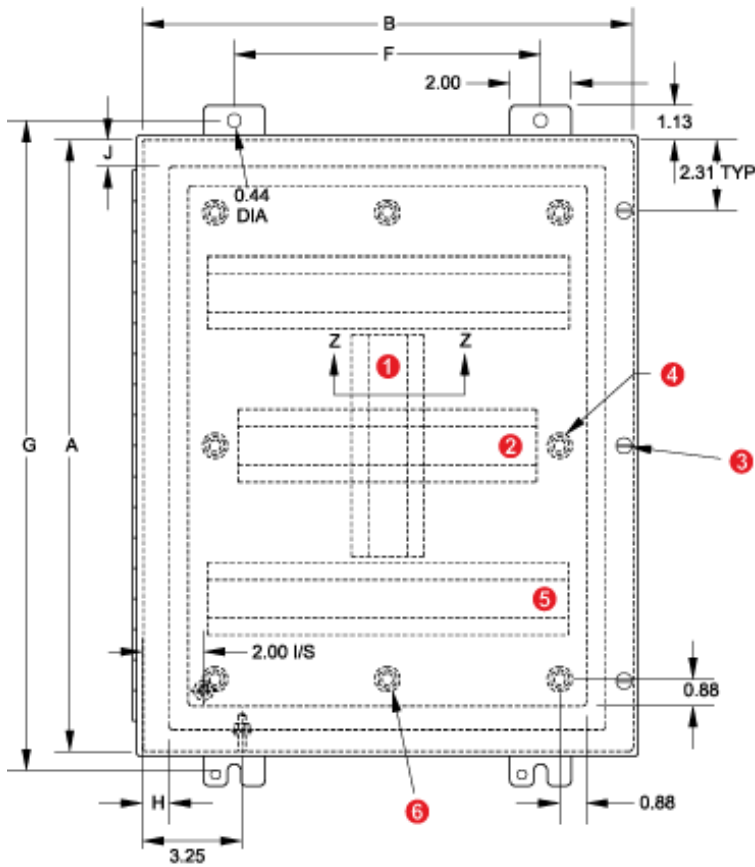
- Formed from 14 gauge steel.
- Smooth, continuously welded seams without knockouts, cutouts or holes.
- Door and body stiffeners are provided in the larger enclosures for extra rigidity.
- Welded brackets provide for enclosure mounting.
- Continuously hinged cover is secured with plated screws, threaded into sealed wells.
- Oil resistant gaskets are permanently secured.
- A removable 12 gauge inner panel is included.
- Collar studs are provided for mounting inner panels.
- A bonding stud is provided on the door and a grounding stud is provided on the enclosure.
- A literature pocket is provided for the inside of the door.

### Finish

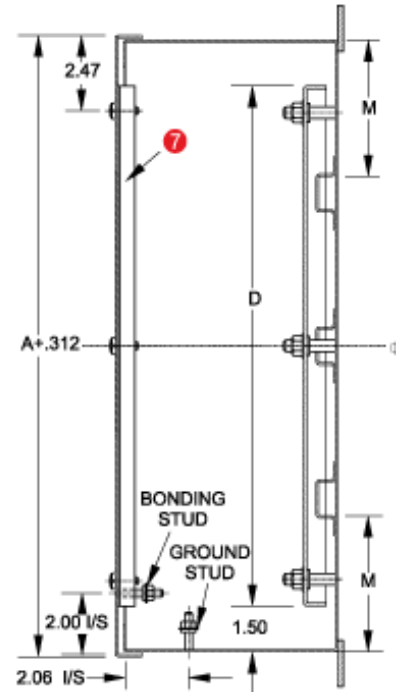
- Cover and enclosure are phosphatized and finished in ANSI 61 gray recoatable powder coating.
- Removable inner panel is finished in white powder coating.

### Accessories

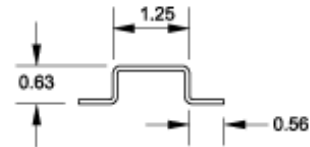
- Inner Panels
- Filtered Fans
- Type 1 Louvered Ventilating Plates
- Swing Panel Kit
- Window Kits
- Ventilation
- Heaters
- Terminal Kits
- Temperature Controls



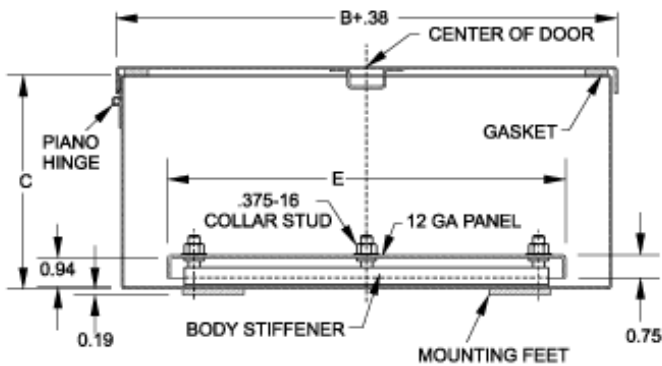
**Front View**



**Side View**



**Section Z-Z**



**Top View**

- ❶ Vertical body stiffener req'd on M only
- ❷ Omit center body stiffener if A is less than 41"
- ❸ Omit if A is less than 31"
- ❹ Omit 2 center studs if A is less than 31"
- ❺ Omit body stiffeners if B is less than 29"
- ❻ Omit 2 middle studs if B is less than 31"
- ❼ Omit door stiffener if A or B is 24" or less

When A=	M=
30.00	7.00
36.00	9.00
42.00	9.88
48.00	11.38

Part No.	Panel Dimensions					Centers				Ship Wt. (lbs)
	A	B	C	D	E	F	G	H	J	
1418JB7	16.00	12.00	7.00	13.00	9.00	9.50	17.25	0.88	0.50	30
1418JC7	20.00	16.00	7.00	17.00	13.00	10.00	21.25	0.88	0.88	38
1418JD7	20.00	20.00	7.00	17.00	17.00	14.00	21.25	0.88	0.50	45
1418JE7	24.00	20.00	7.00	21.00	17.00	14.00	25.25	0.88	0.50	54

Part No.	Panel Dimensions					Centers				Ship Wt. (lbs)
	A	B	C	D	E	F	G	H	J	
<b>1418JJ7</b>	24.00	24.00	7.00	21.00	21.00	18.00	25.25	0.88	0.50	63
<b>1418JF7</b>	30.00	20.00	7.00	27.00	17.00	14.00	31.25	0.88	0.50	70
<b>1418JK7</b>	30.00	24.00	7.00	27.00	21.00	18.00	31.25	0.88	0.50	78
<b>1418JL7</b>	36.00	24.00	7.00	33.00	21.00	18.00	37.25	0.88	0.50	90
<b>1418JC9</b>	20.00	16.00	9.00	17.00	13.00	10.00	21.25	0.88	0.50	42
<b>1418JD9</b>	20.00	20.00	9.00	17.00	17.00	14.00	21.25	0.88	0.50	45
<b>1418JE9</b>	24.00	20.00	9.00	21.00	17.00	14.00	25.25	0.88	0.50	60
<b>1418JJ9</b>	24.00	24.00	9.00	21.00	21.00	18.00	25.25	0.88	0.50	67
<b>1418JK9</b>	30.00	24.00	9.00	27.00	21.00	18.00	31.25	0.88	0.50	85
<b>1418JF9</b>	30.00	20.00	9.00	27.00	17.00	14.00	31.25	0.88	0.50	70
<b>1418JM9</b>	36.00	30.00	9.00	33.00	27.00	24.00	37.25	1.38	1.38	120
<b>1418JL9</b>	36.00	24.00	9.00	33.00	21.00	18.00	37.25	0.88	0.50	100
<b>1418JO9<sup>1</sup></b>	42.00	30.00	9.00	39.00	27.00	24.00	43.25	1.38	1.38	137
<b>1418JP9<sup>1</sup></b>	42.00	36.00	9.00	39.00	33.00	30.00	43.25	1.38	1.38	165
<b>1418JJ11</b>	24.00	24.00	11.00	21.00	21.00	18.00	25.25	0.88	0.50	73
<b>1418JL11</b>	36.00	24.00	11.00	33.00	21.00	18.00	37.25	0.88	0.50	107
<b>1418JS11<sup>1</sup></b>	48.00	36.00	11.00	45.00	33.00	30.00	49.25	1.38	1.38	187
<b>1418JK13</b>	30.00	24.00	13.00	27.00	21.00	18.00	31.25	0.88	0.50	94
<b>1418JM13</b>	36.00	30.00	13.00	33.00	27.00	24.00	37.25	1.38	1.38	131

<sup>1</sup> Does not meet JIC requirements

*Data subject to change without notice*

© 2016. Hammond Manufacturing Ltd. All rights reserved.