

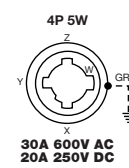
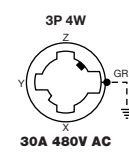
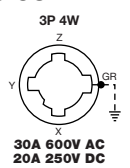


# Hubbell<sup>®</sup> Devices

## 30 Ampere, 600 and 480 Volts AC, 20 Ampere, 250 Volts DC

3 Pole, 4 Wire Grounding and 4 Pole, 5 Wire Grounding Connector Bodies and Receptacles

**IP30**  
SUITABILITY



### Connector Bodies

Description	Cord Dia.	Catalog Number		
Black nylon housing, thermoplastic interior.	.700"-1.200" (17.78-30.5)	<b>HBL21414B</b>	-	-
Same as above except corrosion resistant.	.700"-1.200" (17.78-30.5)	<b>HBL21CM414B</b>	-	-
Red nylon housing, thermoset interior.	.700"-1.200" (17.78-30.5)	-	<b>HBL20444B</b>	-
Black nylon housing, thermoplastic interior.	.700"-1.200" (17.78-30.5)	-	-	<b>HBL25414B</b>

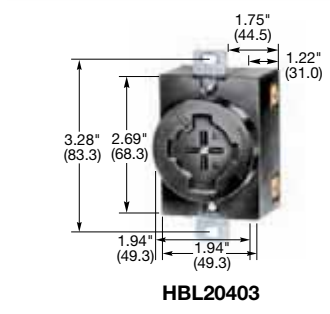
Accessories on page B-68.



### Receptacles

Description	Catalog Number		
Black phenolic.	<b>HBL20403</b>	-	-
Weathertight, corrosion resistant, nickel plated brass plate, for FS/FD box mounting. <b>IP44</b> SUITABILITY.	<b>HBL22CM427</b>	-	-
Aluminum angle housing, with 3/4" hub for surface mounting. <b>IP44</b> SUITABILITY.	<b>HBL21420</b>	-	-
Black phenolic, red center insert.	-	<b>HBL20443</b>	-
Black phenolic interior, aluminum housing, blue finish, for FS/FD box mounting.	-	-	<b>HBL25403</b>
Black phenolic interior, aluminum weatherproof housing, blue finish, for FS/FD box mounting. <b>IP44</b> SUITABILITY.	-	-	<b>HBL25250</b>

Accessories on page B-68.



### Receptacle Accessories

Description	Catalog Number
Thermoplastic, WET LOCATIONS with cover "open," gray.	<b>HBL7428WOG*</b>
Thermoplastic, WET LOCATIONS with cover "open," yellow.	<b>HBL7428WOY*</b>
Thermoplastic, WET LOCATIONS with cover "open," red.	<b>HBL7428WOR*</b>

Note: \* Features two #6-32 threaded inserts to back mount device to cover.

