



Hubbell® Devices

30 Ampere, 600 and 480 Volts AC, 20 Ampere, 250 Volts DC

3 Pole, 4 Wire Grounding and 4 Pole, 5 Wire Grounding
Plugs and Flanged Inlets



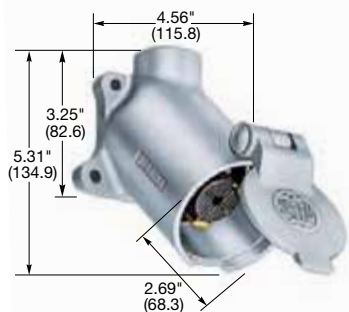
HBL21415B



HBL20445B

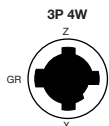


HBL25415B

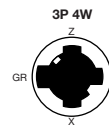


HBL21447

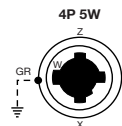
IP30
SUITABILITY



30A 600V AC
20A 250V DC



30A 480V AC



30A 600V AC
20A 250V DC

Plugs

Description	Cord Dia.	Catalog Number		
Black nylon housing, thermoplastic interior.	.700"-1.200" (17.78-30.5)	HBL21415B	-	-
Same as above except corrosion resistant.	.700"-1.200" (17.78-30.5)	HBL21CM415B	-	-
Red nylon housing, thermoset interior.	.700"-1.200" (17.78-30.5)	-	HBL20445B†	-
Black nylon housing, thermoset interior, steel shroud.	.760"-1.200" (19.30-30.4)	-	-	HBL25415B

Accessories on page B-68.

Note: † Not CSA Certified.

Flanged Inlets

Description	Catalog Number		
Weathertight, corrosion resistant, nickel plated brass plate, for FS/FD box mounting.	HBL22CM428	-	-
Black phenolic interior, aluminum housing, for FS/FD box mounting (not shown).	HBL20418	-	-
Aluminum angle housing, with 3/4" N.P.T. hub for surface mounting.	HBL21447	-	-



SEHBL3 - Switched enclosure for use with 3 pole 4 wire 30A Hubbell receptacle. Receptacle not included. See page B-37 for more information.