



Twist-Lock® Devices

50 Ampere, 125, 250 Volts and 480 Volts AC

2 Pole, 3 Wire Grounding

Plugs, Flanged Inlets, Connector Bodies and Receptacles



CS8265C

IP20
SUITABILITY



50A 125V
UL/CSA



50A 250V
UL/CSA

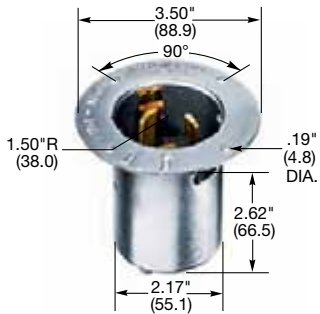


50A 480V AC
UL/CSA

Plugs

Description	Cord Dia.	Catalog Number		
Nylon housing, thermoplastic polyester interior.	.830"-1.250" (21.08-31.75)	CS6361C	CS8265C	CS8465C

Accessories on page B-60.



CS8275

Flanged Inlets

Description	Catalog Number		
Zinc plated steel casing, thermoset interior.	CS6377†	CS8275	CS8475†

IP20
SUITABILITY



50A 125V
UL/CSA



50A 250V
UL/CSA



50A 480V AC
UL/CSA

Connector Bodies

Description	Cord Dia.	Catalog Number		
Nylon housing, thermoplastic polyester interior.	.830"-1.250" (21.08-31.75)	CS6360C	CS8264C	CS8464C

Accessories on page B-60.

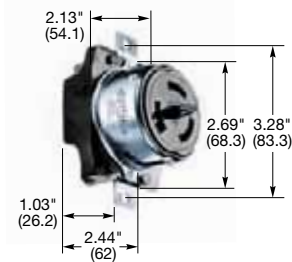


CS8264C

Receptacles

Description	Catalog Number		
Black melamine.	CS6370	CS8269	CS8469†

Accessories on page B-60.



CS8269

Note: †Not CSA Certified.
For Technical Information see page B-71.