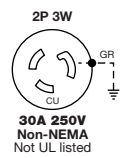




# Non-NEMA Twist-Lock® Devices 30 Ampere, 250, 125/250 Volts and 3ØY 120/208 Volts AC Insulgrip® Plugs, Flanged Inlets, Connector Bodies and Receptacles

For Replacement Use Only

**IP20**  
SUITABILITY



**HBL3333GC**

## Insulgrip® Connector Bodies

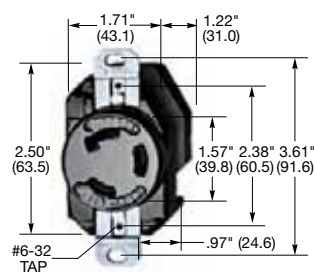
Description	Cord Dia.	Catalog Number	
Black and white nylon.	.360"-.930" (9-24)	<b>HBL3333GC</b>	<b>HBL3333C</b>

Accessories on page B-51.

## Single Flush Receptacles

Description	Catalog Number
Black urea face, back wired.	<b>HBL3330G</b> <b>HBL3330</b>

Accessories on page B-50.

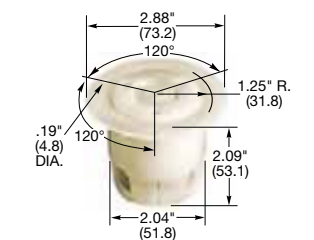


**HBL3330G**

## Insulgrip® Flanged Receptacles

Description	Catalog Number
Nylon casing, back wired.	- <b>HBL3335C</b>

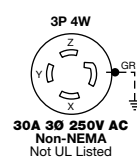
Accessories on page B-50.



**HBL3335C**

For Replacement Use Only

**IP20**  
SUITABILITY



## Insulgrip® Connector Bodies

Description	Cord Dia.	Catalog Number	
Black and white nylon.	.350"-1.150" (9-29)	<b>HBL3433GCB</b>	<b>HBL3433C</b>

Accessories on page B-53.

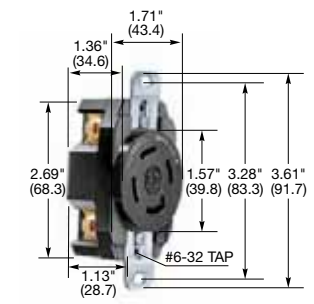


**HBL3433GCB**

## Single Flush Receptacles

Description	Catalog Number
Black phenolic, back and side wired.	<b>HBL3430G</b> <b>HBL3430</b>

Accessories on page B-52.



**HBL3430**

## Insulgrip® Flanged Receptacles

Description	Catalog Number
Nylon casing, back wired.	<b>HBL3435CM2</b> -

Accessories on page B-50.

Note: The devices shown on this page are not listed by Underwriters Laboratories Inc. and are for replacement use only in existing installations.

**CAUTION:** To avoid electrical shock, review premises carefully and do not use if slot or blade configuration (design) is already in a circuit having a rating differing from the rating of this device.

