

## Twist-Lock® Devices

# 30 Ampere, 3ØY 120/208, 277/480 and 347/600 Volts AC

4 Pole, 5 Wire Grounding

## Insulgrip® Connector Bodies and Receptacles



## Connector Bodies

Watertight Safety-Shroud®		IP66 SUITABILITY		
Description	Cord Dia.	Catalog Number		
Black Valox® housing, white Valox® clamps.	.350"-1.150" (9-29)	<b>HBL2813SW</b>	-	-
Insulgrip®		IP20 SUITABILITY		
Description	Cord Dia.	Catalog Number		
Black and white nylon.	.350"-1.150" (9-29)	<b>HBL2813</b>	<b>HBL2823</b>	<b>HBL2833</b>
Corrosion resistant, yellow nylon.	.350"-1.150" (9-29)	<b>HBL28CM13</b>	-	-
Black and white for flat cable.	.350"-1.150" (9-29)	<b>HBL2813FC</b>	-	-
All black nylon.	.350"-1.150" (9-29)	<b>HBL2813BK</b>	-	-

Accessories on page B-53.



**HBL2813SW**



**HBL2813**

## Receptacles

Watertight Safety-Shroud®, Back Wired		IP66 SUITABILITY		
Description	Catalog Number			
Gray Valox® housing and flange.	<b>HBL2810SW</b>	<b>HBL2820SW</b>	<b>HBL2830SW</b>	

Accessories on page B-54.

Safety-Shroud® Twist-Lock®, Back Wired		IP20 SUITABILITY		
Description	Catalog Number			
Gray Valox® angle housing, one gang.	<b>HBL2810AR</b>	-	-	
Gray Valox® surface mounting, one gang.	<b>HBL2810SR</b>	-	-	
Gray Valox® semi-flush, two gang.	<b>HBL2810SR2</b>	-	-	

Accessories on page B-54.



**HBL2810SW**

Single Flush, Back and Side Wired		IP20 SUITABILITY		
Description	Catalog Number			
Black nylon face.	<b>HBL2810</b>	<b>HBL2820</b>	<b>HBL2830</b>	
Isolated ground, orange nylon face.	<b>IG2810</b>	-	-	
Ring terminal connection.	<b>HBL2810RT</b>	-	-	

Accessories on page B-52.

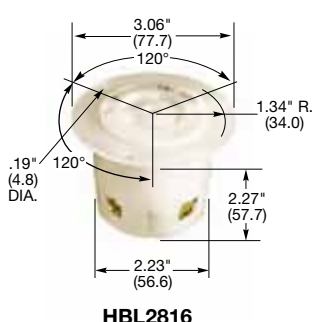


**HBL2810AR**

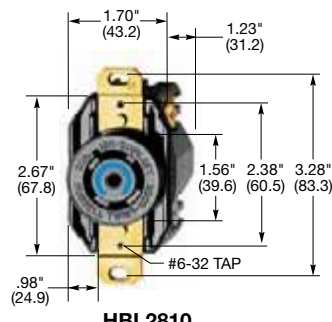
## Insulgrip® Flanged Receptacles

Description	Catalog Number		
Nylon casing, back wired.	<b>HBL2816</b>	<b>HBL2826</b>	<b>HBL2836</b>

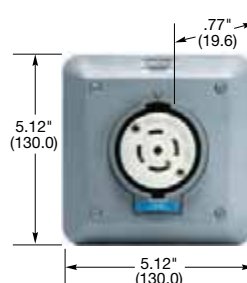
Accessories on page B-52.



**HBL2816**



**HBL2810**



**HBL2810SR2**



**HBL2810SR**

Valox® is a trademark of SABIC Innovative Plastics, acquired from General Electric Company.

