

# Twist-Lock® Devices

## 30 Ampere, 3Ø 480 and 3Ø 600 Volts AC

3 Pole, 4 Wire Grounding

### Insulgrip® Connector Bodies and Receptacles



## Connector Bodies

Watertight Safety-Shroud®		IP66 SUITABILITY	
Description	Cord Dia.	Catalog Number	
Black Valox® housing, white Valox® clamps.	.350"-1.150" (9-29)	HBL2733SW	HBL2743SW

Insulgrip		IP20 SUITABILITY	
Description	Cord Dia.	Catalog Number	
Black and white nylon.	.350"-1.150" (9-29)	HBL2733	HBL2743
Corrosion resistant, yellow nylon.	.350"-1.150" (9-29)	HBL27CM33	HBL27CM43

Accessories on page B-53.



## Receptacles

Watertight Safety-Shroud®, Back Wired		IP66 SUITABILITY	
Description	Catalog Number		
Gray Valox® housing and flange.	HBL2730SW HBL2740SW		

Accessories on page B-54.

Safety-Shroud® Twist-Lock®, Back Wired		IP20 SUITABILITY	
Description	Catalog Number		
Gray Valox® angle housing, one gang.	HBL2730AR HBL2740AR		
Gray Valox® surface mounting, one gang.	HBL2730SR HBL2740SR		
Gray Valox® semi-flush, two gang.	HBL2730SR2 HBL2740SR2		

Accessories on page B-54.



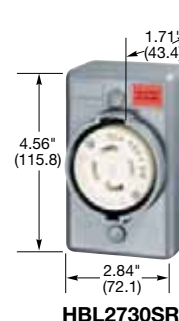
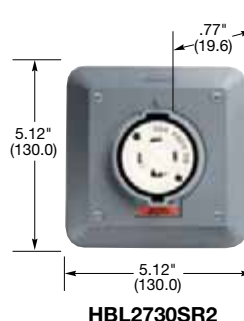
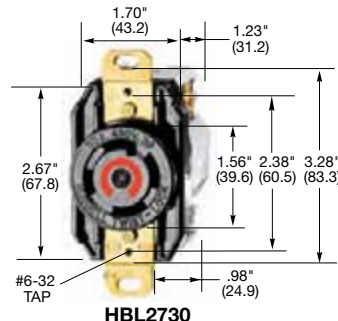
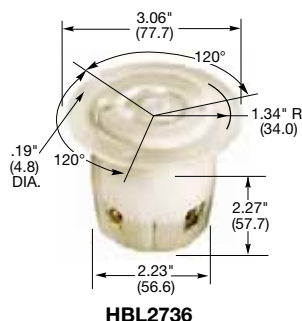
Single Flush, Back and Side Wired		IP20 SUITABILITY	
Description	Catalog Number		
Black nylon face.	HBL2730 HBL2740		

Accessories on page B-52.



Insulgrip® Flanged Receptacles		Catalog Number	
Description	Catalog Number		
Nylon casing, back wired.	HBL2736 HBL2746		

Accessories on page B-52.



Valox® is a trademark of SABIC Innovative Plastics, acquired from General Electric Company.