

# Twist-Lock® Devices

## 30 Ampere, 125/250 and 3Ø 250 Volts AC

3 Pole, 4 Wire Grounding

### Insulgrip® Plugs and Flanged Inlets



30A 125/250V AC  
NEMA L14-30P  
UL/CSA  
2 (2) HP



30A 3Ø 250V AC  
NEMA L15-30P  
UL/CSA  
3 HP



HBL2711SW



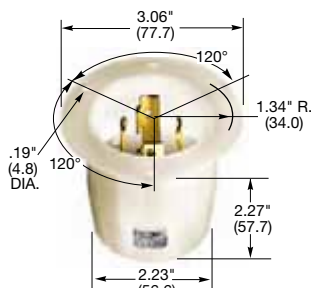
HBL2711S



HBL2711



HBL2715SW



HBL2715

## Plugs

### Watertight Safety-Shroud®

Description	Cord Dia.	IP66 SUITABILITY	Catalog Number
Black Valox® housing, white Valox® clamps.	.350"-1.150" (9-29)	HBL2711SW	HBL2721SW

### Safety-Shroud®

Description	Cord Dia.	IP20 SUITABILITY	Catalog Number
Black and white nylon body, white Valox® shroud. Can be used with the Insulgrip Connector Bodies.	.350"-1.150" (9-29)	HBL2711S	HBL2721S

Accessories on page B-40.

### Insulgrip®

Description	Cord Dia.	IP20 SUITABILITY	Catalog Number
Black and white nylon.	.350"-1.150" (9-29)	HBL2711	HBL2721
Corrosion resistant, yellow nylon.	.350"-1.150" (9-29)	HBL27CM11	HBL27CM21
All black nylon.	.350"-1.150" (9-29)	HBL2711BK	-

Accessories on page B-53.

## Flanged Inlets

### Watertight Safety-Shroud®

Description	IP66 SUITABILITY	Catalog Number
Gray Valox® housing and flange.	HBL2715SW	HBL2725SW

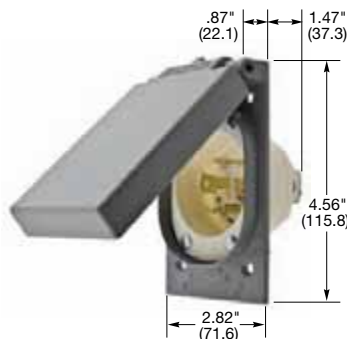
Accessories on page B-54.

### Insulgrip®

Description	IP20 SUITABILITY	Catalog Number
Nylon casing, back wired.	HBL2715	HBL2725
Nylon casing, weather protective, die cast aluminum, back wired, self closing lift cover.	HBL2715M3	-

Accessories on page B-52.

Note: For technical information on Twist-Lock and Watertight Safety-Shroud devices see pages B-69 and B-70.



HBL2715M3



HBLMITL - For use with Watertight Safety-Shroud receptacles, see page B-39.

Valox® is a trademark of SABIC Innovative Plastics, acquired from General Electric Company.