

## Twist-Lock® Devices

# 20 Ampere, 3ØY 120/208, 277/480 and 347/600 Volts AC

4 Pole, 4 Wire Non-Grounding

## Insulgrip® Plugs, Flanged Inlets, Connector Bodies and Receptacles



**IP20**  
SUITABILITY



**20A 3ØY  
120/208V AC**  
NEMA L18-20P  
UL Listed  
2 HP



**20A 3ØY  
277/480V AC**  
NEMA L19-20P  
UL Listed  
5 HP



**20A 3ØY  
347/600V AC**  
NEMA L20-20P  
UL Listed

### Plugs

Description	Cord Dia.	Catalog Number	Catalog Number	Catalog Number
Black and white nylon.	.350" - 1.150" (9-29)	<b>HBL2441</b>	<b>HBL2451</b>	<b>HBL2461</b>

Accessories on page B-53.

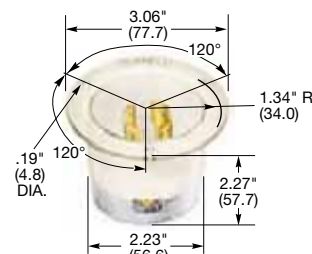


**HBL2441**

### Flanged Inlets

Description	Catalog Number	Catalog Number	Catalog Number
Nylon casing, back wired.	<b>HBL2445</b>	<b>HBL2455</b>	<b>HBL2465</b>

Accessories on page B-52.



**HBL2445**

**IP20**  
SUITABILITY



**20A 3ØY  
120/208V AC**  
NEMA L18-20R  
UL Listed  
2 HP



**20A 3ØY  
277/480V AC**  
NEMA L19-20R  
UL Listed  
5 HP



**20A 3ØY  
347/600V AC**  
NEMA L20-20R  
UL Listed

### Connector Bodies

Description	Cord Dia.	Catalog Number	Catalog Number	Catalog Number
Black and white nylon.	.350" - 1.150" (9-29)	<b>HBL2443</b>	<b>HBL2453</b>	<b>HBL2463</b>

Accessories on page B-53.



**HBL2443**

### Single Flush Receptacles, Back and Side Wired

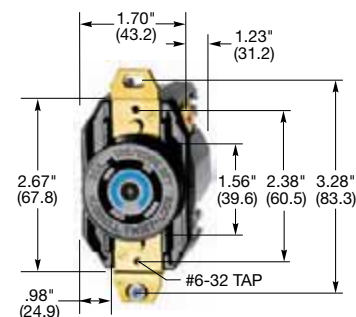
Description	Catalog Number	Catalog Number	Catalog Number
Black nylon face.	<b>HBL2440</b>	<b>HBL2450</b>	<b>HBL2460</b>

Accessories on page B-52.

### Flanged Receptacles

Description	Catalog Number	Catalog Number	Catalog Number
Nylon casing, back wired.	<b>HBL2446</b>	<b>HBL2456</b>	<b>HBL2466</b>

Accessories on page B-52.



**HBL2440**

Note: Only receptacles and plugs up to 480V AC are HP rated.

For technical information see page B-69.

See page B-37 for switched enclosure.

See page B-40 for Add-A-Shroud® kit. For use with connector bodies.

HP ratings are AC only.



**HBL2446**