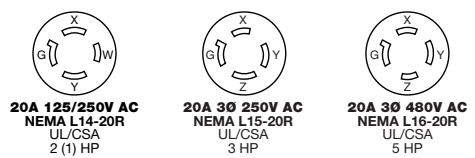


Twist-Lock® Devices

20 Ampere, 125/250, 3Ø 250 and 3Ø 480 Volts AC

3 Pole, 4 Wire Grounding

Insulgrip® Connector Bodies and Receptacles



Connector Bodies

Watertight Safety-Shroud®		IP66 SUITABILITY		
Description	Cord Dia.	Catalog Number		
Black Valox® housing, white Valox® clamps.	.350"-1.150" (9-29)	HBL2413SW	HBL2423SW	HBL2433SW

Insulgrip®		IP20 SUITABILITY		
Description	Cord Dia.	Catalog Number		
Black and white nylon.	.350"-1.150" (9-29)	HBL2413	HBL2423	HBL2433
Corrosion resistant, yellow nylon.	.350"-1.150" (9-29)	HBL24CM13	HBL24CM23	HBL24CM33
All black nylon.	.350"-1.150" (9-29)	HBL2413BK	-	-

Accessories on page B-53.



HBL2423SW



HBL2413

Receptacles

Watertight Safety-Shroud®, Back Wired		IP66 SUITABILITY		
Description	Catalog Number			
Gray Valox® housing and flange.	HBL2410SW	HBL2420SW	HBL2430SW	

Accessories on page B-54.

Safety-Shroud® Twist-Lock®, Back Wired		IP20 SUITABILITY		
Description	Catalog Number			
Gray Valox® angle housing, one gang.	HBL2410AR	HBL2420AR	HBL2430AR	
Gray Valox® surface mounting, one gang.	HBL2410SR	HBL2420SR	HBL2430SR	
Gray Valox® semi-flush, two gang.	HBL2410SR2	HBL2420SR2	HBL2430SR2	

Accessories on page B-54.



HBL2420SW

Single Flush, Back and Side Wired		IP20 SUITABILITY		
Description	Catalog Number			
Black nylon face.	HBL2410	HBL2420	HBL2430	
Isolated ground, orange nylon face.	IG2410	IG2420	-	
Ring terminal connection.	HBL2410RT	HBL2420RT	-	

Accessories on page B-52.



HBL2420AR

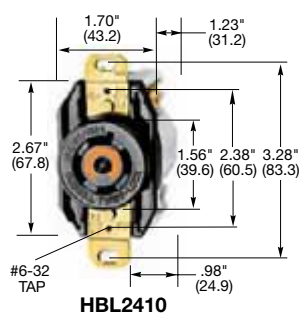
Insulgrip® Flanged Receptacles

Description	Catalog Number		
Nylon casing, back wired.	HBL2416	HBL2426	HBL2436

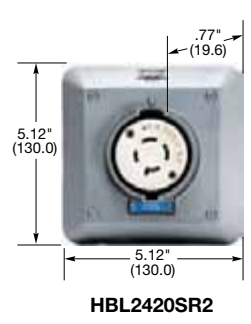
Accessories on page B-52.



HBL2416



HBL2410



HBL2420SR2



HBL2420SR

Valox® is a trademark of SABIC Innovative Plastics, acquired from General Electric Company.

