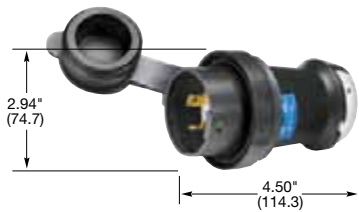


Twist-Lock® Devices

20 Ampere, 125/250, 3Ø 250 and 3Ø 480 Volts AC

3 Pole, 4 Wire Grounding

Insulgrip® Plugs and Flanged Inlets



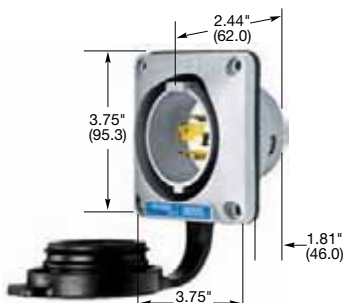
HBL2421SW



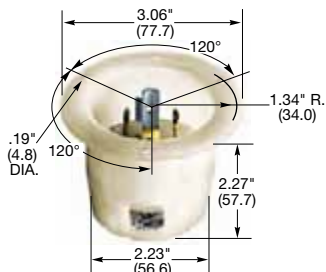
HBL2421S



HBL2411



HBL2425SW



HBL2415



Plugs

Watertight Safety-Shroud®

IP66 SUITABILITY

Description	Cord Dia.	Catalog Number		
Black Valox® housing, white Valox® clamps.	.350"-1.150" (9-29)	HBL2411SW	HBL2421SW	HBL2431SW

Safety-Shroud®

IP20 SUITABILITY

Description	Cord Dia.	Catalog Number		
Black and white nylon body, white Valox® shroud. Can be used with the Insulgrip Connector Bodies.	.350"-1.150" (9-29)	HBL2411S	HBL2421S	HBL2431S

Accessories on page B-40.

Insulgrip®

IP20 SUITABILITY

Description	Cord Dia.	Catalog Number		
Black and white nylon.	.350"-1.150" (9-29)	HBL2411	HBL2421	HBL2431
Corrosion resistant, yellow nylon.	.350"-1.150" (9-29)	HBL24CM11	HBL24CM21	HBL24CM31
All black nylon.	.350"-1.150" (9-29)	HBL2411BK	-	-

Accessories on page B-53.

Flanged Inlets

Watertight Safety-Shroud®

IP66 SUITABILITY

Description	Catalog Number		
Gray Valox® housing and flange.	HBL2415SW	HBL2425SW	HBL2435SW

Accessories on page B-54.

Insulgrip®

IP20 SUITABILITY

Description	Catalog Number		
Nylon casing, back wired.	HBL2415	HBL2425	HBL2435

Accessories on page B-52.

Note: For technical information on Twist-Lock and Watertight Safety-Shroud devices see pages B-69 and B-70.

HBLMITL - For use with Watertight Safety-Shroud receptacles, see page B-39.



Valox® is a trademark of SABIC Innovative Plastics, acquired from General Electric Company.