

Straight Blade Devices

50 Ampere, 125, 250 Volts, 277 Volts AC and 125/250 Volts

2 Pole, 3 Wire Grounding and 3 Pole, 3 Wire Non-Grounding

Single Receptacles and Plugs



50A, 125V

2 Pole, 3 Wire Grounding Receptacles and Plugs

IP20
SUITABILITY



50A 125V
NEMA 5-50R
UL CSA
2 HP



50A 125V
NEMA 5-50P
UL CSA
2 HP

Description	Cord Diameter	Catalog Number
Receptacle, black RTP.	-	HBL9360*
Plug, nylon, angle, 4-position.	.625"-1.187" (15.9-30.2)	HBL9361



50A, 250V

2 Pole, 3 Wire Grounding Receptacles and Plugs

IP20
SUITABILITY

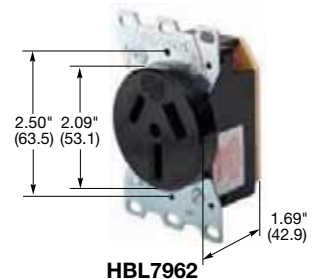


50A 250V
NEMA 6-50R
UL CSA
3 HP



50A 250V
NEMA 6-50P
UL CSA
3 HP

Description	Cord Diameter	Catalog Number
Receptacle, black RTP.	-	HBL9367
Plug, nylon, angle, 4-position.	.625"-1.187" (15.9-30.2)	HBL9368



50A, 277V AC

2 Pole, 3 Wire Grounding Receptacles and Plugs

IP20
SUITABILITY

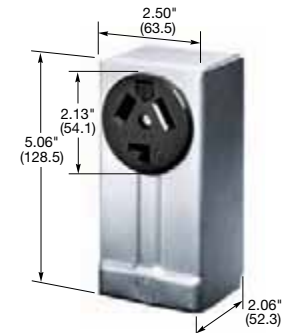


50A 277V AC
NEMA 7-50R
UL CSA
5 HP



50A 277V AC
NEMA 7-50P
UL CSA
5 HP

Description	Cord Diameter	Catalog Number
Receptacle, black RTP.	-	HBL9365
Plug, nylon, angle, 4-position.	.625"-1.187" (15.9-30.2)	HBL9379



Representative of surface mount receptacle



50A, 125/250V

3 Pole, 3 Wire Non-Grounding Receptacles, Connector Body and Plugs

IP20
SUITABILITY



50A 125/250V
NEMA 10-50R
UL Listed
3(2) HP

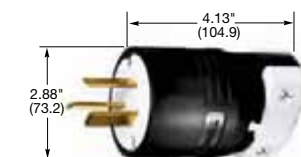


50A 125/250V
NEMA 10-50P
UL Listed
3(2) HP

Description	Cord Diameter	Catalog Number
Receptacle, black phenolic.	-	HBL7962
Receptacle, surface mount aluminum housing.	-	HBL7940
Connector body, Insulgrip, nylon.	.625"-1.218" (15.9-30.9)	HBL7515C
Plug, Insulgrip, nylon.	.625"-1.218" (15.9-30.9)	HBL7513C
Plug, nylon, angle, 4-position.	.625"-1.187" (15.9-30.2)	HBL7977



HBL7515C



HBL7513C

Note: RTP is an abbreviation for reinforced thermoplastic polyester.

* For dimensions, see HBL9308 on page A-39.

See page A-48 for accessories.