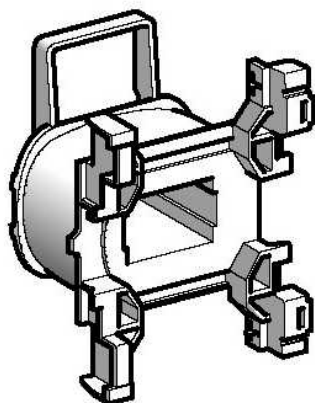


LXD1G7

TeSys D - contactor coil - LXD1 - 120 V AC 50/60 Hz for 9... 38 A contactor

Product availability: Stock - Normally stocked in distribution facility



Main

| | |
|------------------------------|---------------------------------------|
| Commercial Status | Commercialised |
| Range of product | TeSys D TeSys D control relay |
| Product or component type | Contactor coil |
| Device short name | LXD1 |
| Control circuit type | AC 50/60 Hz |
| Control circuit voltage | 120 V AC 50/60 Hz |
| Average resistance | 150.6 Ohm at 68 °F (20 °C) |
| Inductance of closed circuit | 5.4 H |
| Product compatibility | CAD LC1D09...D38 LC1DT20...DT40 |
| Mechanical durability | 15 Mcycles |
| Operating rate | 3600 cyc/h at <= 140 °F (60 °C) |

Complementary

| | |
|---------------------------------|---|
| Coil technology | Without built-in suppressor module |
| Control circuit voltage limits | 0.85...1.1 Uc at 140 °F (60 °C) operational 60 Hz 0.8...1.1 Uc at 140 °F (60 °C) operational 50 Hz 0.3...0.6 Uc at 140 °F (60 °C) drop-out 50/60 Hz |
| Inrush power in VA | 70 VA at 68 °F (20 °C) (cos φ 0.75) 50 Hz 70 VA at 68 °F (20 °C) (cos φ 0.75) 60 Hz |
| Hold-in power consumption in VA | 7 VA at 68 °F (20 °C) (cos φ 0.3) 50 Hz 7.5 VA at 68 °F (20 °C) (cos φ 0.3) 60 Hz |
| Heat dissipation | 2...3 W at 50/60 Hz |

Environment

| | |
|---------------------------------------|--------------------------|
| Ambient air temperature for operation | 23...140 °F (-5...60 °C) |
| Product weight | 0.15 lb(US) (0.07 kg) |

Ordering and shipping details

| | |
|-----------------------|---|
| Category | 22341 - CONTACTOR,D,K,&F ACCESS |
| Discount Schedule | I12 |
| GTIN | 00785901214090 |
| Nbr. of units in pkg. | 1 |
| Package weight(Lbs) | 0.15 |
| Product availability | Stock - Normally stocked in distribution facility |
| Returnability | Y |
| Country of origin | FR |

Contractual warranty

| | |
|--------|-----------|
| Period | 18 months |
|--------|-----------|

The information provided in this documentation contains general descriptions and/or technical characteristics of the performance of the products contained herein. This documentation is not intended as a substitute for and is not to be used for determining suitability or reliability of these products for specific user applications. It is the duty of any such user or integrator to perform the appropriate and complete risk analysis, evaluation and testing of the products with respect to the relevant specific application or use thereof. Neither Schneider Electric Industries SAS nor any of its affiliates or subsidiaries shall be responsible or liable for misuse of the information contained herein.